

AUTOMATION • LIMIT & MICRO SWITCHES



GIOVENZANA

INTERNATIONAL B.V.



LIMIT SWITCHES
MICRO SWITCHES

GIOVENZANA INTERNATIONAL B.V.





GIOVENZANA
INTERNATIONAL B.V.

Automation - Lift - Handling System - Atex

QUALITY AS A LIFE STYLE

www.giovenzana.com



LIMIT SWITCHES AND MICRO SWITCHES - Rev. 02_2018

GIOVENZANA INTERNATIONAL B.V. reserves the right to modify, as specifications change, all technical and functional characteristics of the products shown in the catalogue without prior notice as this information is intended for general knowledge and is not legally binding.

The most up-to-date version of the catalogue can be downloaded from the download section of the site www.giovenzana.com.



GIOVENZANA INTERNATIONAL B.V.: AUTOMATION TECHNOLOGIES

AUTOMATION

The solutions offered by **Giovenzana** are the results of the market analysis of industrial electrical accessories requirements in conformity with all relevant international standards. The range includes:

- Phoenix cam switches from 12A to 200A;
- Regolus switch disconnectors from 16A to 160A;
- Pegasus, Orion and NEMA auxiliary controls;
- Thermoplastic limit switches, with manual reset, safety limit switches, M12 & pre-wired thermoplastic limit switches;
- Foot switches and micro switches.

QUALITY

Giovenzana, leader in the elevator and lifting equipment field, has gained a prominent position in the automation sector with the launch of industrial control devices into the market. For many years, all commercial and industrial operations have been integrated within the **UNI EN ISO 9001:2015** quality system.

CSQ certificate N 9105. GIOV.

Quality system is the end users guarantee that all production stages are closely followed under strict control and adhere to the requirements set by the company both in terms of customer expectations and compliance to the relevant international standards as proved by the various certificates **Giovenzana** holds for its products.

By the **UNI EN ISO 14001:2015**, **Giovenzana** keeps up with new technologies in order to reduce raw materials consumption, energy and natural resources and to minimize waste and emissions. This reduces the environmental impact.

The certification CSQ N 9191. GIBV.

COMPLIANCE

All **Giovenzana** products are manufactured according to the most relevant Cee directives. **Giovenzana** certifies this compliance with a declaration of conformity.

CERTIFICATIONS

In order to reach its high quality level **Giovenzana's** products are tested by multiple third parties. In order to obtain the UL mark, **Giovenzana** submits their products to Underwriter Laboratories Inc., one of the most eminent independent certification companies in the World.

CEE DIRECTIVES

From January 1st, 1997 it is compulsory to CE mark all electromechanical products; this has been outlined by an important regulation: 2006/95/CE Low Voltage Directives.

CE MARK

European directives, applied to all national regulations, set the minimum requirements in term of safety of all electrical material sold within the EU.

Compliance to these requirements is certified by the manufacturer by the CE mark placed on the products.

STANDARDS

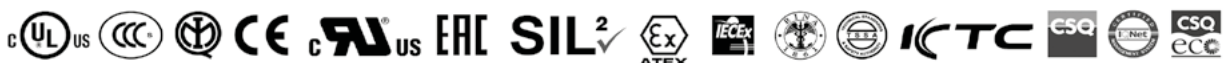
Giovenzana's products comply with both the European EN and the American UL standards.

These regulations, such as CEI EN 60204-1 (CEI 44-5) with regards to the safety requirements of the electrical circuits on board industrial machinery, define the characteristics, performance and use of the products.

EN EUROPEAN STANDARDS

The EN European standards are originated from IEC International standards and are the result of the collaboration between CENELEC (European Committee for Electrotechnical Standardization) member countries.

These standards cover and eliminate existing national standards that may be contradictory and non-compliant.





A FTN SERIES THERMOPLASTIC LIMIT SWITCHES



FTN131



FTN132



FTN133



FTN134



FTN135



FTN136



FTN137



FTN138



FTN139



FTN140



FTN140L



FTN140R



FTN140RL



FTN141



FTN142



FTN143



FTN144



FTN198

B | **FTN1R SERIES** | **LIMIT SWITCHES WITH MANUAL RESET** | **pg. 27 / 41**



FTN1R31



FTN1R32



FTN1R33



FTN1R34



FTN1R37



FTN1R38



FTN1R39



FTN1R40



FTN1R40R



FTN1R41



FTN1R43



FTN1R44



PRODUCTS INDEX - LIMIT SWITCHES & MICRO SWITCHES

C FTNG SERIES

40 MM THERMOPLASTIC LIMIT SWITCHES

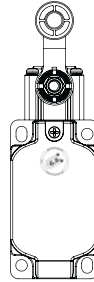
pg. 43 / 53



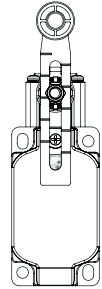
FTNG131



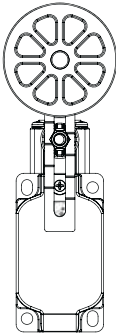
FTNG134



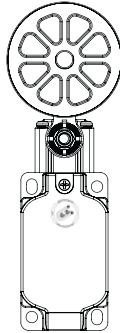
FTNG138



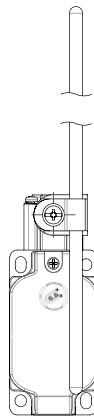
FTNG139



FTNG140



FTNG141



FTNG172

D STNK SERIES

SAFETY LIMIT SWITCHES WITH KEY

pg. 55 / 62



STNK01



STNK02



STNK03

E FCT SERIES

M12 CONNECTION & PRE-WIRED THERMOPLASTIC LIMIT SWITCHES - IP67



01



02



03



04



05



06



07



08



09



10



11

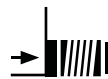
AVAILABLE VERSIONS



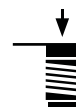
FCT2L...
with side cable input



FCT2V...
with vertical cable input



FCTML...
with side connector input



FCTMV...
with vertical connector input

F MFI SERIES

MICRO SWITCHES



MFI



MFI.S



MFI.ST



MFI.STP



MFI.T



GIOVENZANA

INTERNATIONAL B.V.



THERMOPLASTIC LIMIT SWITCHES
FTN SERIES



A FTN SERIES THERMOPLASTIC LIMIT SWITCHES

DESCRIPTION



The **FTN series** thermoplastic limit switches, conform to EN 50047, have been developed to provide a range of options including a various choice of snap acting and slow acting and a wide range of actuator heads.

The **FTN series** offers the option of rotating the head in 90° increments before installation to allow ease of mounting.

Giovenzana limit switches can be used in various applications in automation, lift and handling system fields.

Operation of these limit switches is achieved by the sliding action of the guard or the moving object deflecting the plunger or lever.

For safety applications it's important that upon actuation, the guard or other moving objects should not pass completely over the switch and allow the plunger or lever to return to its original position.

TECHNICAL DATA - HOUSING

Made of glass- reinforced polymer, self-extinguishing, shock-proof thermoplastic resin and with double insulation	☐
FTN Series one threaded conduit entry	Standard: M16
Protection degree	IP67 according to EN60529 with cable gland having equal or higher protection degree

GENERAL DATA

Positive opening operation	NC contact ⊕
Utilization category	AC15 B600, Snap Action AC15 B600
Minimum admissible current	5V, 5mA, DC
Insulation resistance	100MΩ min (DC 500V)
Contact resistance	25mΩ max (Initial)
Enclosure material	UL approved glass-filled polybutylene terephthalate
Operating temperature	Min -25°C (-18°F) / Max 80°C (+176°F)
Mechanical life expectancy	1x10 ⁷ cycles min
Electrically life expectancy	150.000 cycles min
Vibration resistance	IEC 68-2-6, 10-55Hz ± 1Hz, Excursion: 0.35mm, 1 octave/min
Conduit entry	Various
Fixing	2xM4

ELECTRICAL DATA

Rated thermal current (I _{th})	10A
Rated insulation voltage (U _i)	600V AC
Rated impulse withstand voltage (U _{imp})	2500V AC
Pollution degree	3
Protection against electric shock	Class II (Double insulation)


STANDARDS & APPROVALS

Standards	EN60947-5-1, UL508, EN50047
Approvals	cULus, EAC and CCC for all applicable directives

QUALITY MARKS




MAIN FEATURES

- Conforms to EN (TUV) standards corresponding to the CE marking.
-  Positive opening operation of NC (Normally Closed) contacts conforming to IEC/EN 60947-5-1.
- Double insulation makes ground terminal unnecessary.
- Wide standard operating temperature range: -25°C to 80°C.
- Full range of actuator heads and levers suitable for safety applications.
- Sealing up to IP67.
- Wide switch variations (snap action and slow action basic switches).

ACCORDING TO STANDARDS

EN81.20 Safety contacts according to EN60947-5-1.
EN81.50 Protection degree higher than IP4x. Mechanical endurance higher than 1×10^6 cycles.

INSTALLATION FOR SAFETY APPLICATIONS

Use only switches marked with the symbol . Always connect the safety circuit to the **NC contact** (normally closed contacts: 11-12 / 21-22 / 31-32) as required by **EN ISO 14119 paragraph 5.4** and as stated in the standard **EN81.20 paragraph 5.11.2.2.1**.



TAKE CARE!

If not expressly indicated in this chapter, for the correct installation and utilization of all articles see the instructions given on pages 92-93.

DATA TYPE APPROVED BY UL

Utilization categories:

FTN SERIES	Q300	A600	1 NC/1 NO Slow Action 2 NC Slow Action
		B600	1 NC/1 NO Snap Action
		A300	2 NC/1 NO Slow Action (3 poles) 3 NC Slow Action (3 poles)

Data of the housing type 1.

For all contact blocks use 60 or 75°C copper (Cu) conductor and wire size No. 14 - 18 AWG.

Terminal tightening torque of 7.1 lb in (0.8 Nm).

In conformity with standard: UL508, CSA 22.2 No. 14 - 10.



Please contact our technical service for the list of approved products.

PROTECTION CLASS


IP67 Designed to be used even in the most severe environmental situations, these devices pass the immersion test IP67 in conformity with EN 60529.

DOUBLE INSULATION

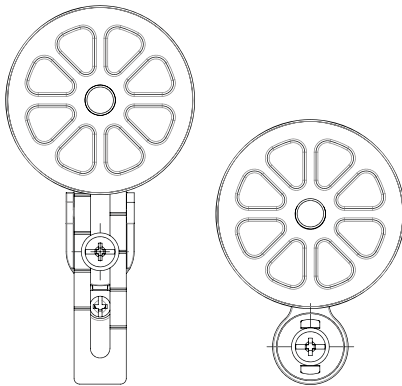


Materials of group II, according to IEC 536, are made with double insulation. This consists of doubling the insulation capability by means of an additional divider in order to eliminate any electrical shock risk and avoid the need for any additional protections.

POSITIVE OPENING

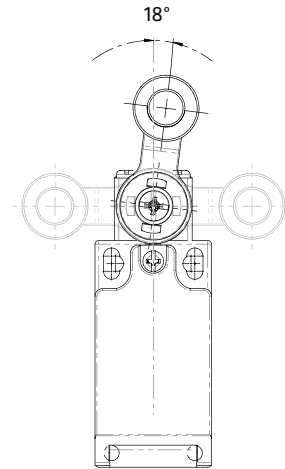
 A limit switch complies to the specification when all the normally closed contact elements of the switch can be changed, with certainty, to the open position (no flexible link between the moving contacts and the operator of the switch, to which an actuating force is applied). Positive opening doesn't apply to NO contacts. Control switches with positive opening operation can be equipped with either slow-break or snap action contacts. In order to use different contacts on the same switch, it is necessary to electrically separate them; otherwise only one contact can be used. Every positive opening control switch must be marked on the external housing with the symbol on the left.

RUBBER ROLLERS



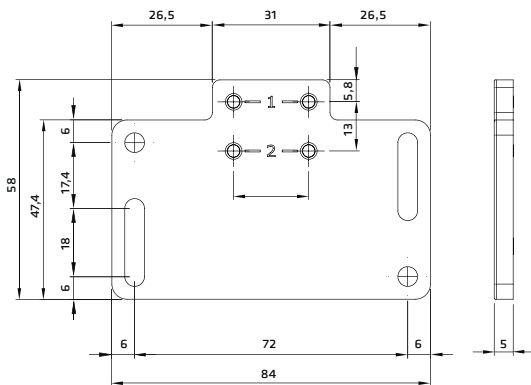
Different actuators with rubber rollers are available. The customer can choose the most suitable product depending on his needs. For example the lift speed in order to reduce the noise inside the cabin.

ADJUSTABLE LEVERS



In switches with revolving lever it is possible to adjust the lever with 18° steps for the whole 360° range. The positive movement transmission is always guaranteed thanks to the particular geometrical coupling between the lever and the revolving shaft.

ADAPTIVE PLATE



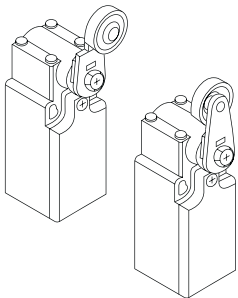
Fixing plate equipped with large slots for adjusting the operating point developed for backwards compatibility with old products. Each plate has a double pair of fixing holes.

The plate is sold in kit with **KIT-FTN** code.

The **KIT-FTN** is inclusive of:

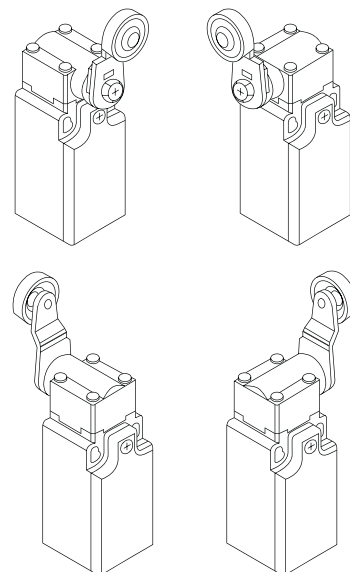
- 1 plate (code 12907009);
- 2 self-tapping screws 4x28 mm;
- 2 washers ø4 mm.

OVERTURNING LEVERS



It's possible to fasten the lever on switches on straight or reverse side, maintaining the positive coupling. In this way it is possible to obtain two different work plans of the lever.

ROTATING HEADS



In all switches, it is possible to rotate the head in 90° steps.

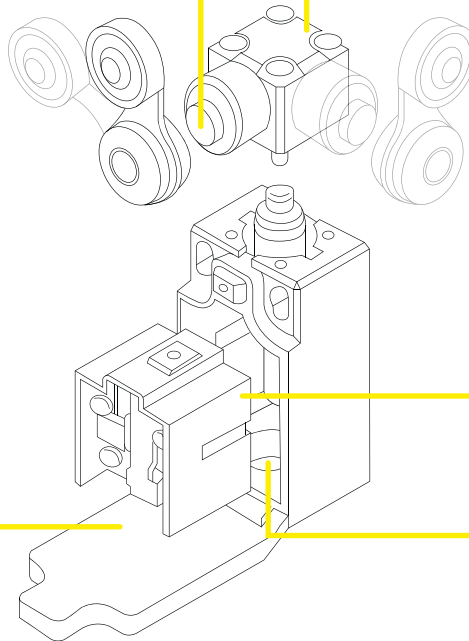
STRUCTURE DESCRIPTION

Metal Lever Setting

Grooves which engage the lever every 18° are cut in the operation indicator disk to prevent the lever from slipping against the rotary shaft.

Head

With roller lever models, the direction of the switch head can be varied to any of the four directions by loosening the roller lever switch screws at the four corners of the head.



Contact block

Snap action:
1NC/1NO
Slow action:
1NC/1NO, 2NC, 2NC/1NO, 3NC

Cover

The cover, with a hinge on its lower part, can be opened by removing the screw of the cover, which ensures ease of maintenance and wiring.

Conduit Entry

Standard: M16.
On request: M20, 1/2NPT, PG11, PG13.5.

PRODUCT SELECTION

FTN	1	31	X11	M
Series	Function	Head and actuators	Contact Types	Thread dimension of lead exit
	1 - Without Reset Function	31 - Short plastic end plunger with protective boot 32 - PA Roller lever plunger with protective boot horizontal action 33 - PA Roller lever plunger with protective boot vertical action 34 - PA Roller lever plunger 35 - Spring lever with tip in PA 36 - CAT'S Whisker 37 - Rod lever type 38 - Ø18 PA Roller lever 39 - Variable length roller lever Ø18 40 - Variable length rubber roller lever Ø50 40L - Variable length and long rubber roller lever Ø50 40R - Variable length and rubber roller lever Ø50 40RL - Variable length and long rubber roller lever Ø50 41 - Ø50 Rubber roller lever 42 - Wobble stick 43 - Metal roller short lever Ø18 44 - Variable length roller lever Ø18 98 - Rope pull lever	X11 - 1NC/1NO Slow Action W02 - 2NC Slow Action Z11 - 1NC/1NO Snap Action W12 - 2NC/1NO Slow Action W03 - 3NC Slow Action Slow Action & Snap Action: Type "Zb"	Standard: BLANK - M16 On request: M - M20 N - 1/2NPT G1 - PG11 G3 - PG13.5 C - Connector

CONTACT BLOCK FORM

Contact Types	X11	W02	Z11	W12	W03
Contact Form	1NC/1NO Slow Action	2NC Slow Action	1NC/1NO Snap Action	2NC/1NO Slow Action	3NC Slow Action
Electrical Schemes					
Connector pin Arrangement				No Connector type	

M12 Connector pin arrangement - on request

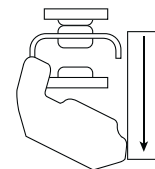
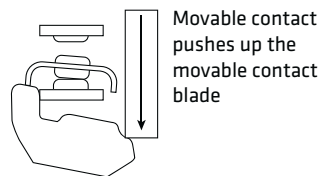
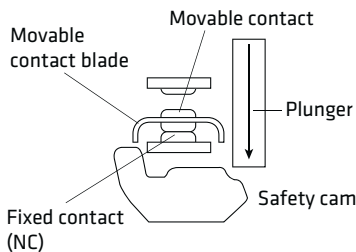
POSITIVE OPEN MECHANISM

1NC/NO Contact (Snap action)

Conforms to EN60947-5-1 Positive Opening

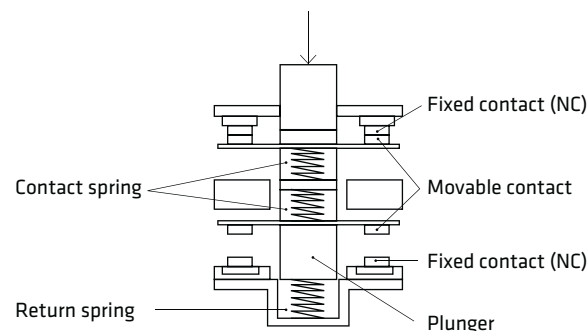
If metal deposition between mating contacts occurs on the NC contact side, they can be pulled apart by the shearing force and tensile force generated when the safety cam or plunger engages the movable contact blade. When the safety cam or plunger is moved in the direction of the black arrow the Limit Switch releases.

1. When metal deposition occurs.
2. When contacts are being pulled apart.
3. When contacts are completely pulled apart.



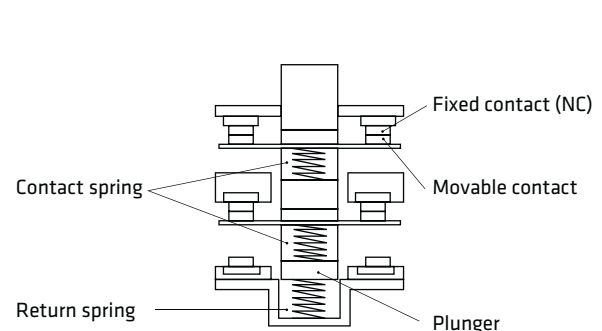
1NC/NO Contact (Slow action)

Only the NC contacts have a positive opening function. When metal deposition occurs, the contacts are separated from each other by pushing in the plunger.

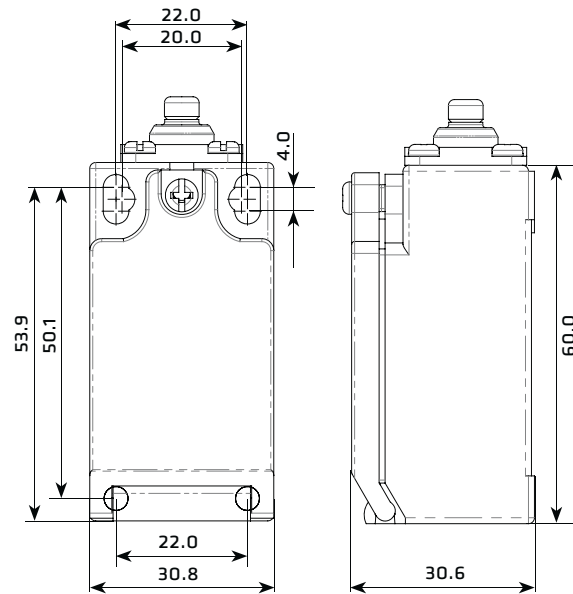


2NC Contact (Slow action)

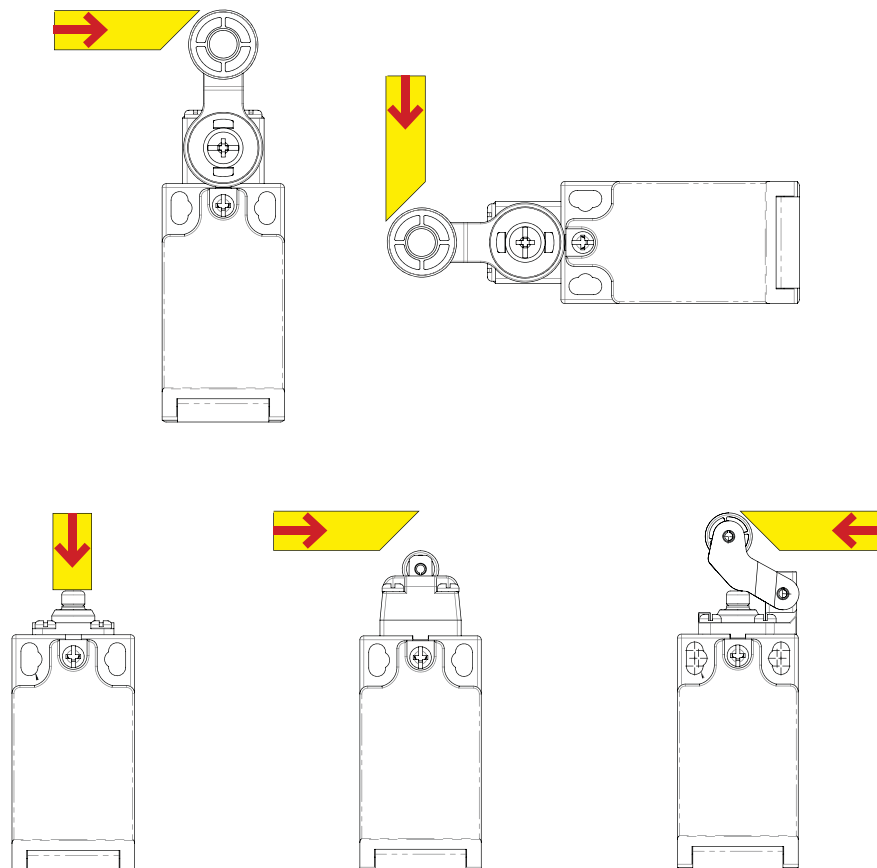
Both NC contacts incorporate a positive opening function. When metal deposition occurs, the contacts are separated from each other by pushing in the plunger.



DIMENSIONS

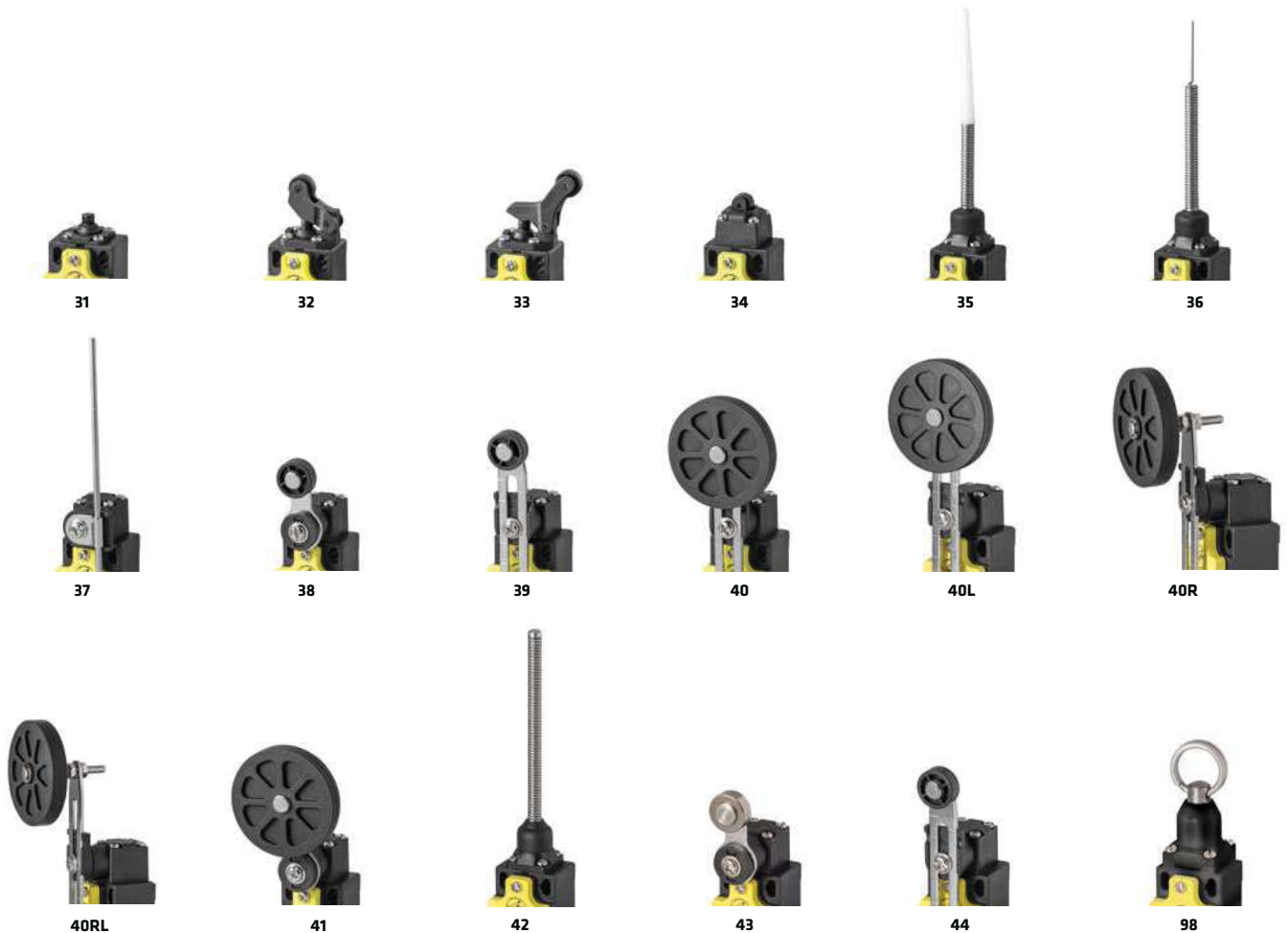


OPERATING EXAMPLES





SELECTION DIAGRAM FTN SERIES

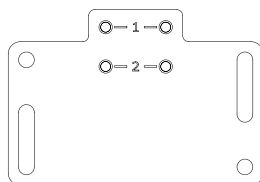


ACTUATORS

- X11** - 1NC/1NO Slow Action
- W02** - 2NC Slow Action
- Z11** - 1NC/1NO Snap Action
- W12** - 2NC/1NO Slow Action
- W03** - 3NC Slow Action

Accessory
sell separately

- KIT-FTN** is inclusive of:
- 1 plate (code 12907009);
 - 2 self-tapping screws
4x28 mm;
 - 2 washers Ø4 mm.



Threaded conduit entry

- Standard:
BLANK - M16
- On request:
M - M20
N - 1/2NPT
G1 - PG11
G3 - PG13.5
C - Connector

Wiring

Customized wirings are available on request, with connectors and cables in accordance with customers' specifications.

CONTACT BLOCKS

ADAPTIVE PLATE

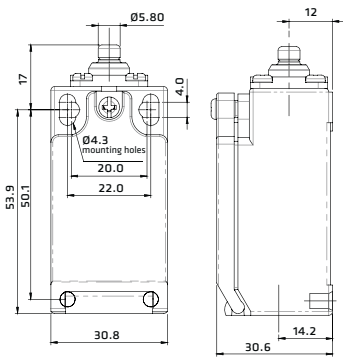
CONDUIT ENTRY

FTN SERIES

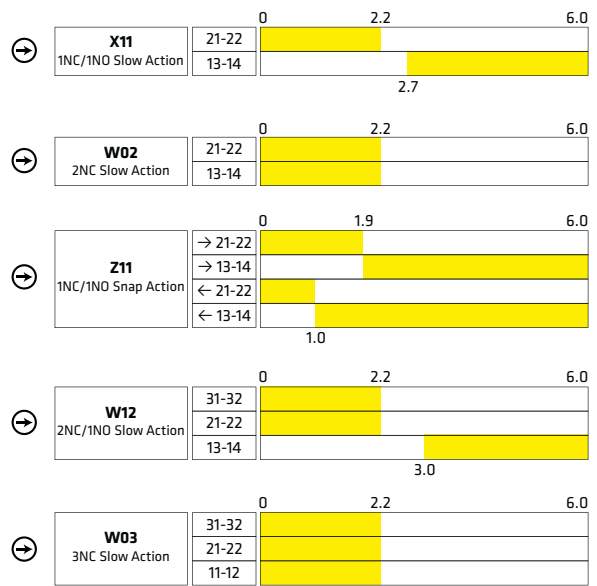


FTN131: Short plastic end plunger with protective boot

FTN	1	31	X11	M
Series	Function	Head and actuators	Contact Types	Thread dimension of lead exit
	1 - Without Reset Function	31 - Short plastic end plunger with protective boot	X11 - 1NC/1NO Slow Action W02 - 2NC Slow Action Z11 - 1NC/1NO Snap Action W12 - 2NC/1NO Slow Action W03 - 3NC Slow Action Slow Action & Snap Action: Type "Zb"	Standard: BLANK - M16 On request: M - M20 N - 1/2NPT G1 - PG11 G3 - PG13.5 C - Connector

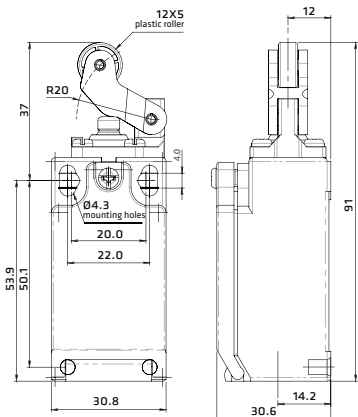


OPERATION DIAGRAMS

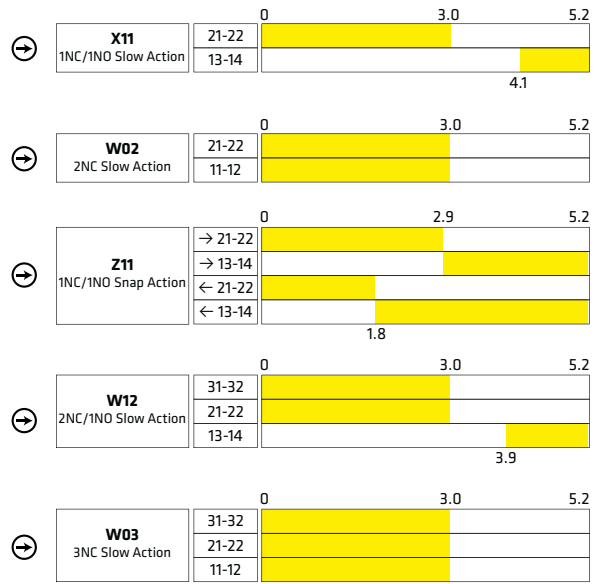


FTN132: PA Roller lever plunger with protective boot horizontal action

FTN	1	32	X11	M
Series	Function	Head and actuators	Contact Types	Thread dimension of lead exit
	1 - Without Reset Function	32 - PA Roller lever plunger with protective boot horizontal action	X11 - 1NC/1NO Slow Action W02 - 2NC Slow Action Z11 - 1NC/1NO Snap Action W12 - 2NC/1NO Slow Action W03 - 3NC Slow Action Slow Action & Snap Action: Type "Zb"	Standard: BLANK - M16 On request: M - M20 N - 1/2NPT G1 - PG11 G3 - PG13.5 C - Connector



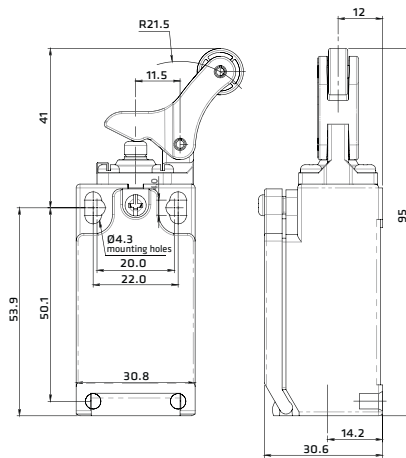
OPERATION DIAGRAMS



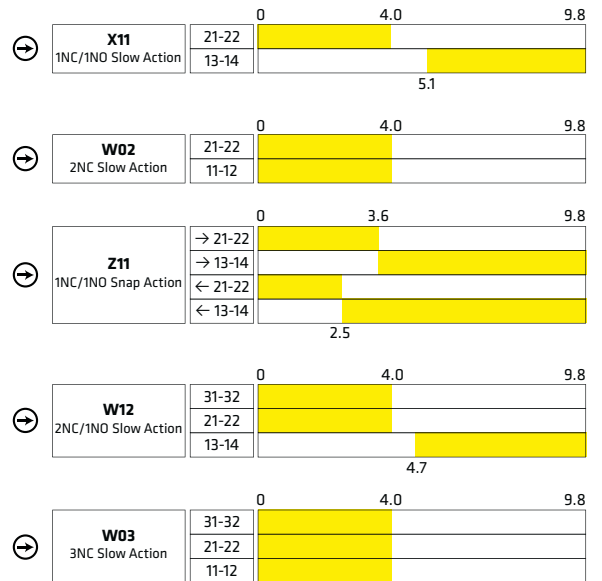


FTN133: PA Roller lever plunger with protective boot vertical action

FTN	1	33	X11	M
Series	Function	Head and actuators	Contact Types	Thread dimension of lead exit
	1 - Without Reset Function	33 - PA Roller lever plunger with protective boot vertical action	X11 - 1NC/1NO Slow Action W02 - 2NC Slow Action Z11 - 1NC/1NO Snap Action W12 - 2NC/1NO Slow Action W03 - 3NC Slow Action Slow Action & Snap Action: Type "Zb"	Standard: BLANK - M16 On request: M - M20 N - 1/2NPT G1 - PG11 G3 - PG13.5 C - Connector

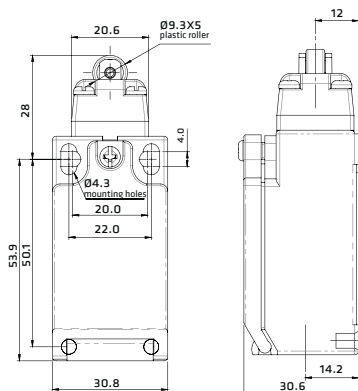


OPERATION DIAGRAMS

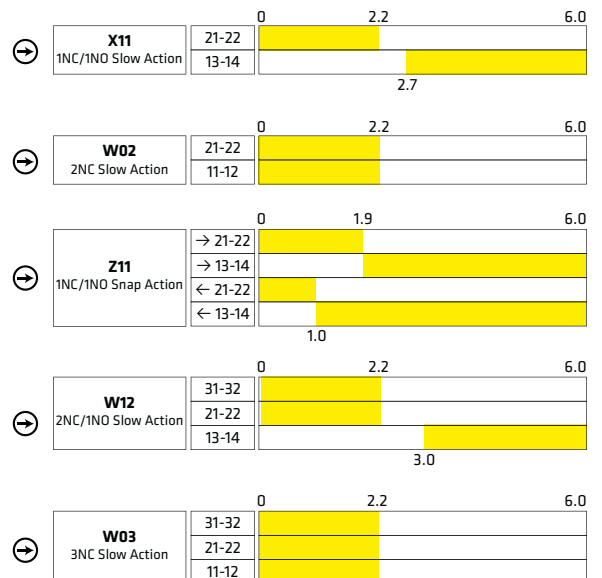


FTN134: PA Roller lever plunger

FTN	1	34	X11	M
Series	Function	Head and actuators	Contact Types	Thread dimension of lead exit
	1 - Without Reset Function	34 - PA Roller lever plunger	X11 - 1NC/1NO Slow Action W02 - 2NC Slow Action Z11 - 1NC/1NO Snap Action W12 - 2NC/1NO Slow Action W03 - 3NC Slow Action Slow Action & Snap Action: Type "Zb"	Standard: BLANK - M16 On request: M - M20 N - 1/2NPT G1 - PG11 G3 - PG13.5 C - Connector

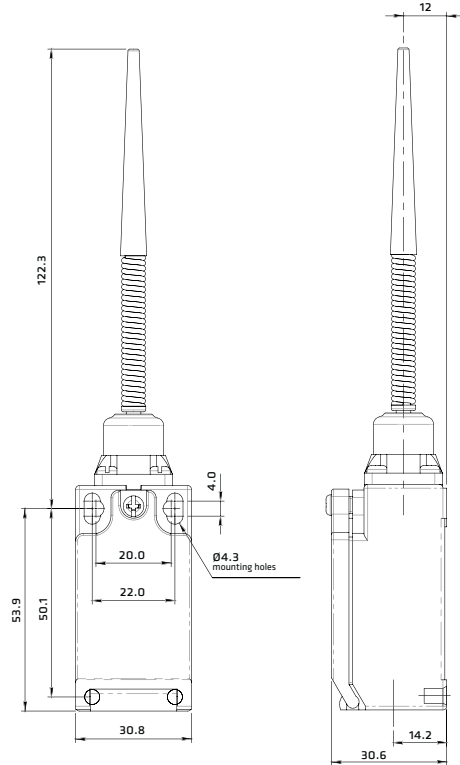


OPERATION DIAGRAMS

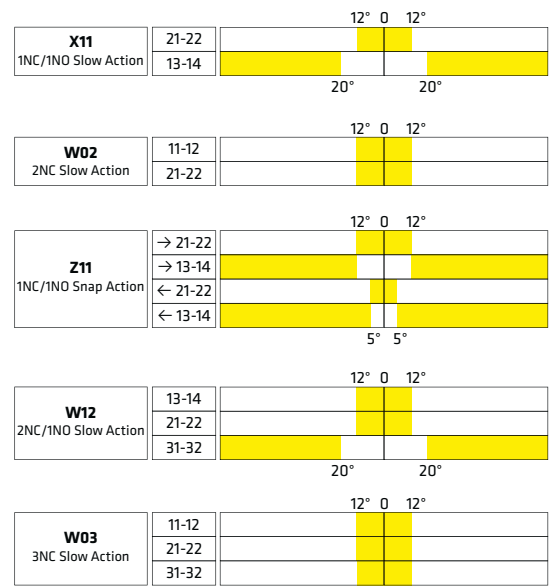


FTN135: Spring lever with tip in PA

FTN	1	35	X11	M
Series	Function	Head and actuators	Contact Types	Thread dimension of lead exit
	1 - Without Reset Function	35 - Spring lever with tip in PA	X11 - 1NC/1NO Slow Action W02 - 2NC Slow Action Z11 - 1NC/1NO Snap Action W12 - 2NC/1NO Slow Action W03 - 3NC Slow Action Slow Action & Snap Action: Type "Zb"	Standard: BLANK - M16 On request: M - M20 N - 1/2NPT G1 - PG11 G3 - PG13.5 C - Connector

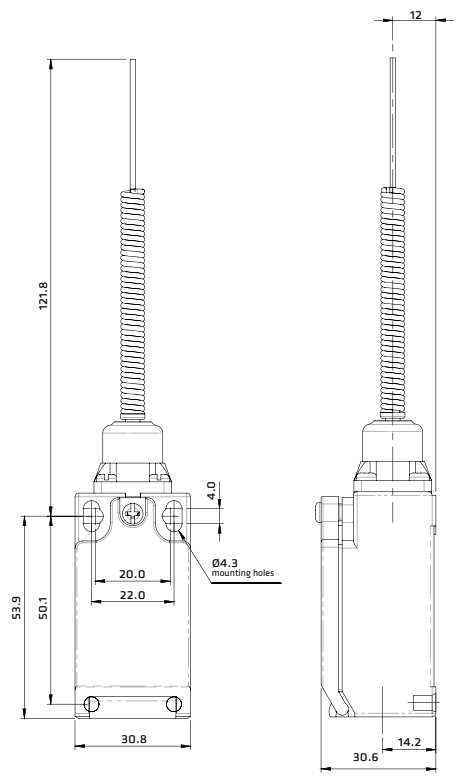


OPERATION DIAGRAMS

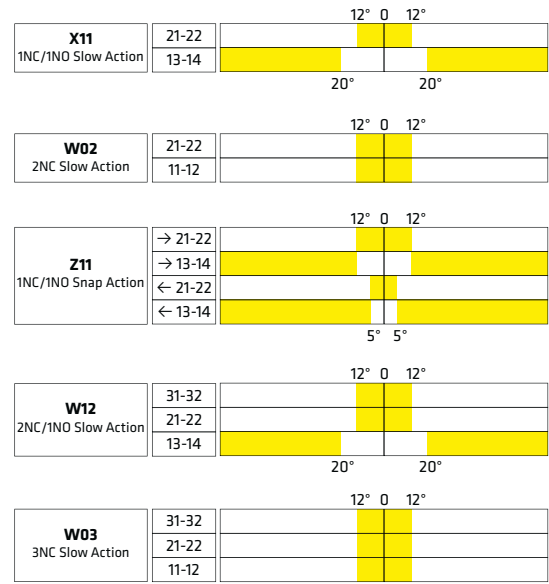


FTN136: CAT'S Whisker

FTN	1	36	X11	M
Series	Function	Head and actuators	Contact Types	Thread dimension of lead exit
	1 - Without Reset Function	36 - CAT'S Whisker	X11 - 1NC/1NO Slow Action W02 - 2NC Slow Action Z11 - 1NC/1NO Snap Action W12 - 2NC/1NO Slow Action W03 - 3NC Slow Action Slow Action & Snap Action: Type "Zb"	Standard: BLANK - M16 On request: M - M20 N - 1/2NPT G1 - PG11 G3 - PG13.5 C - Connector



OPERATION DIAGRAMS



FTN137: Rod lever type

FTN	1	37	X11	M
Series	Function	Head and actuators	Contact Types	Thread dimension of lead exit

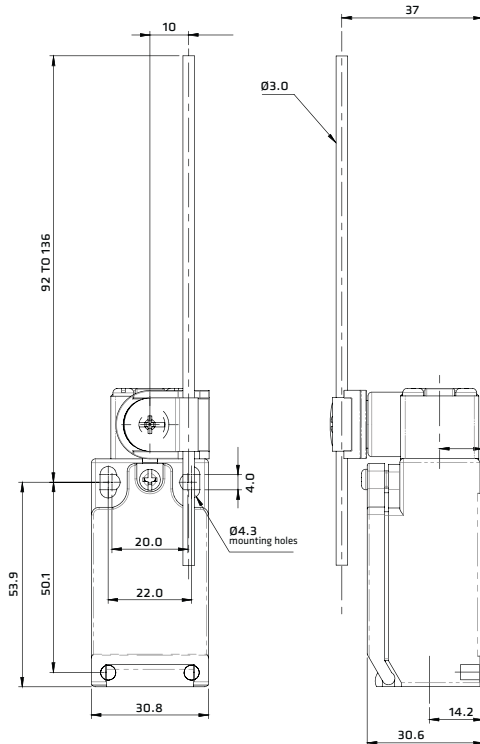
1 - Without Reset Function

37 - Rod lever type

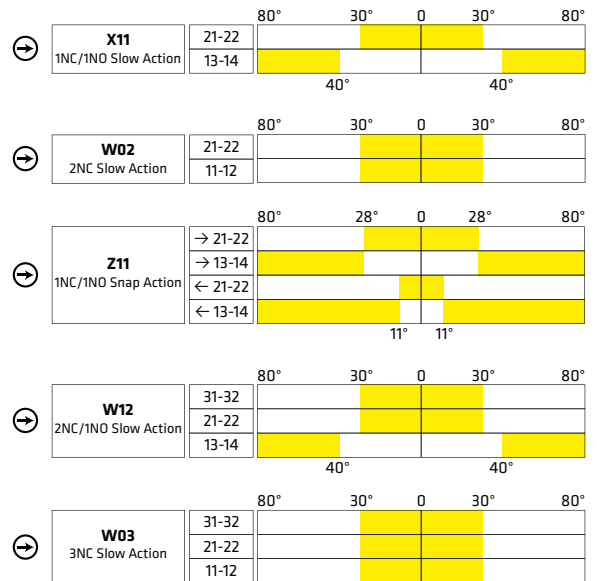
X11 - 1NC/1NO Slow Action
W02 - 2NC Slow Action
Z11 - 1NC/1NO Snap Action
W12 - 2NC/1NO Slow Action
W03 - 3NC Slow Action

Standard: **BLANK** - M16
 On request:
M - M20
N - 1/2NPT
G1 - PG11
G3 - PG13.5
C - Connector

Slow Action & Snap Action: Type "Zb"



OPERATION DIAGRAMS



FTN138: Ø18 PA Roller lever

FTN	1	38	X11	M
Series	Function	Head and actuators	Contact Types	Thread dimension of lead exit

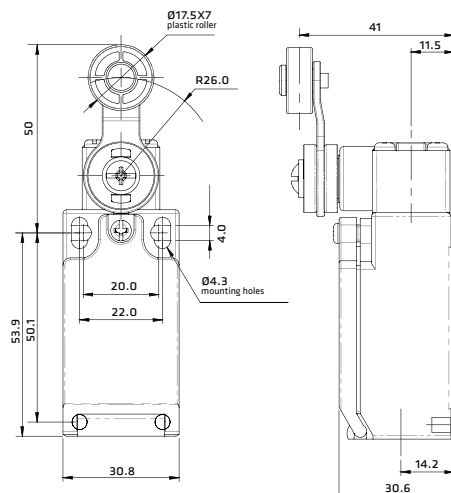
1 - Without Reset Function

38 - Ø18 PA Roller lever

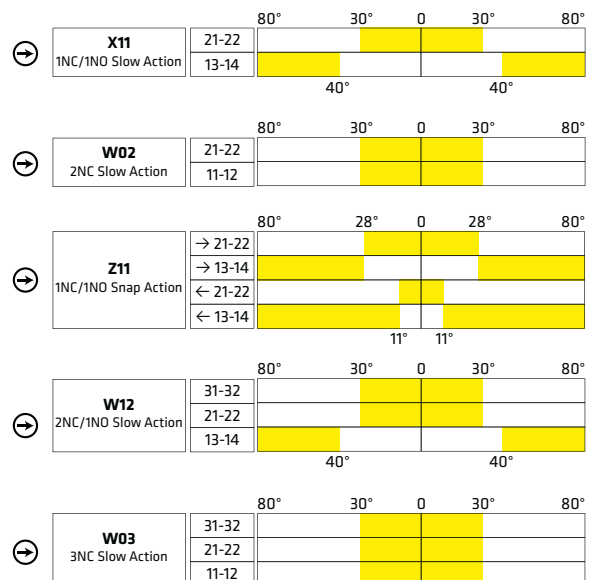
X11 - 1NC/1NO Slow Action
W02 - 2NC Slow Action
Z11 - 1NC/1NO Snap Action
W12 - 2NC/1NO Slow Action
W03 - 3NC Slow Action

Standard: **BLANK** - M16
 On request:
M - M20
N - 1/2NPT
G1 - PG11
G3 - PG13.5
C - Connector

Slow Action & Snap Action: Type "Zb"

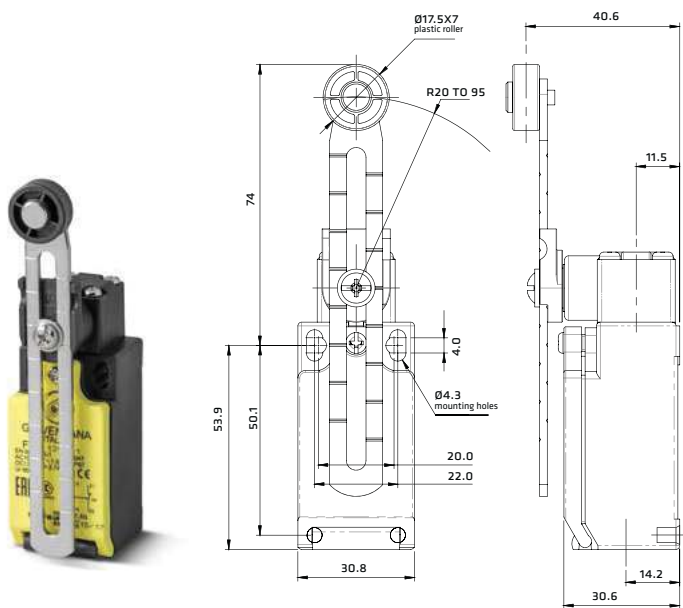


OPERATION DIAGRAMS

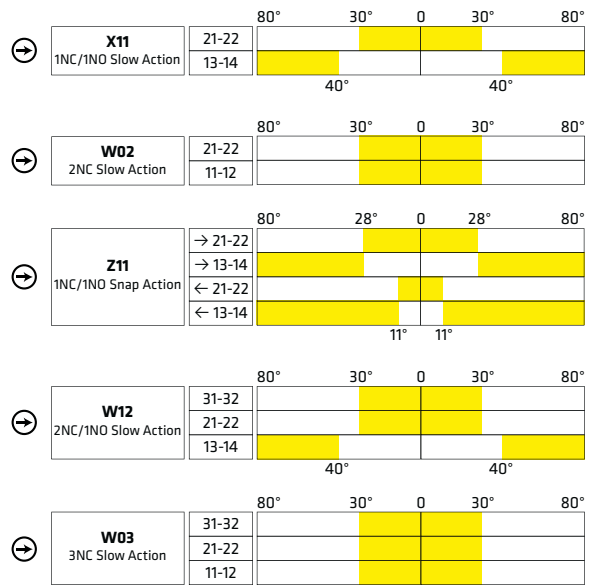


FTN139: Variable length roller lever Ø18

FTN	1	39	X11	M
Series	Function	Head and actuators	Contact Types	Thread dimension of lead exit
	1 - Without Reset Function	39 - Variable length roller lever Ø18	X11 - 1NC/1NO Slow Action W02 - 2NC Slow Action Z11 - 1NC/1NO Snap Action W12 - 2NC/1NO Slow Action W03 - 3NC Slow Action Slow Action & Snap Action: Type "Zb"	Standard: BLANK - M16 On request: M - M20 N - 1/2NPT G1 - PG11 G3 - PG13.5 C - Connector

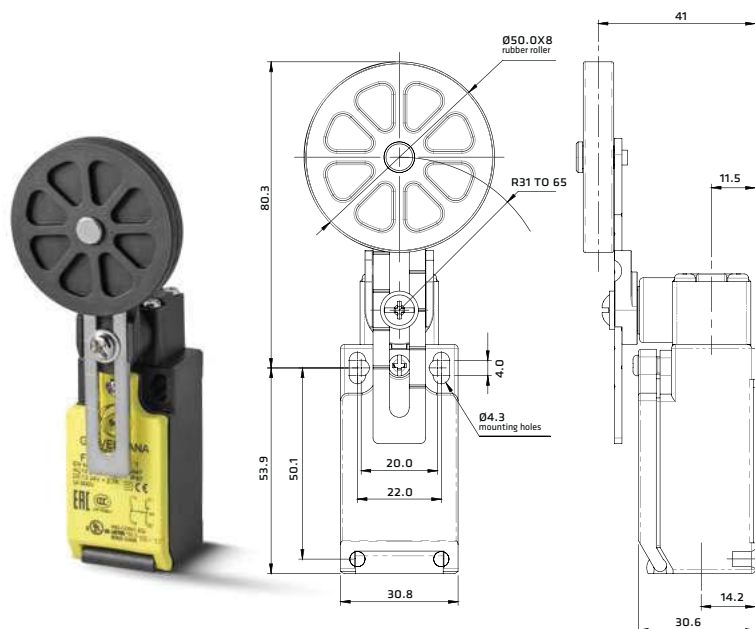


OPERATION DIAGRAMS

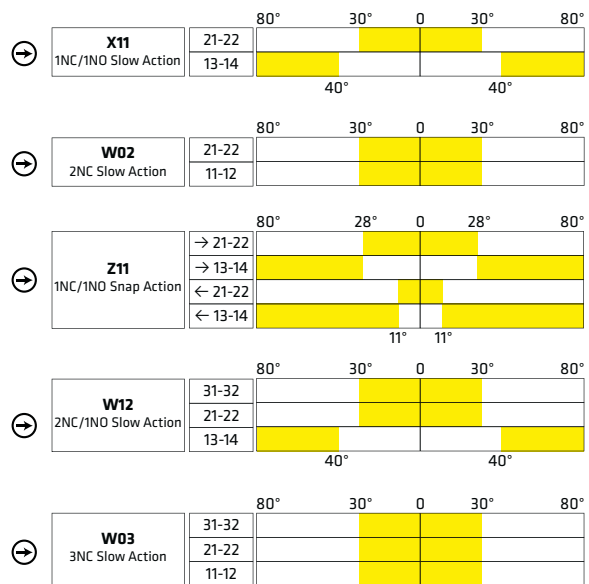


FTN140: Variable length rubber roller lever Ø50

FTN	1	40	X11	M
Series	Function	Head and actuators	Contact Types	Thread dimension of lead exit
	1 - Without Reset Function	40 - Variable length rubber roller lever Ø50	X11 - 1NC/1NO Slow Action W02 - 2NC Slow Action Z11 - 1NC/1NO Snap Action W12 - 2NC/1NO Slow Action W03 - 3NC Slow Action Slow Action & Snap Action: Type "Zb"	Standard: BLANK - M16 On request: M - M20 N - 1/2NPT G1 - PG11 G3 - PG13.5 C - Connector

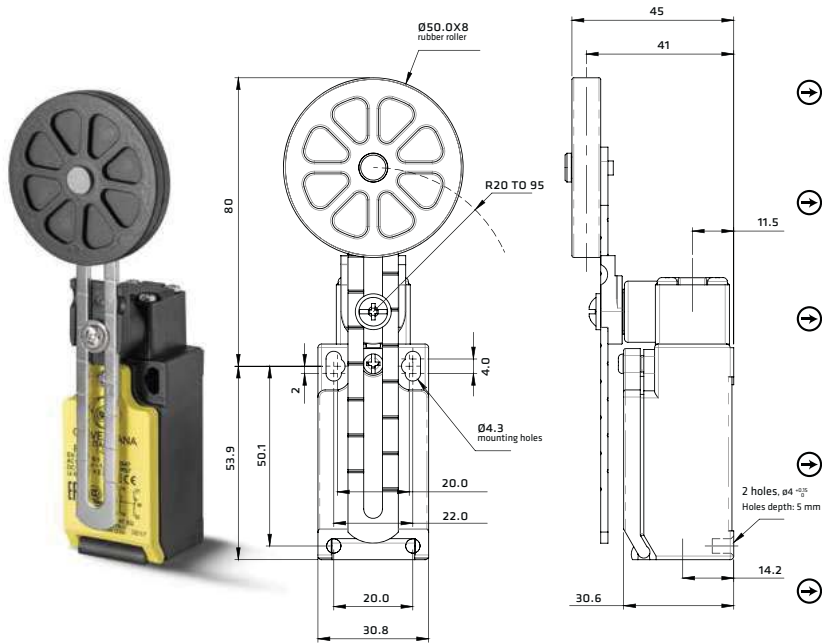


OPERATION DIAGRAMS

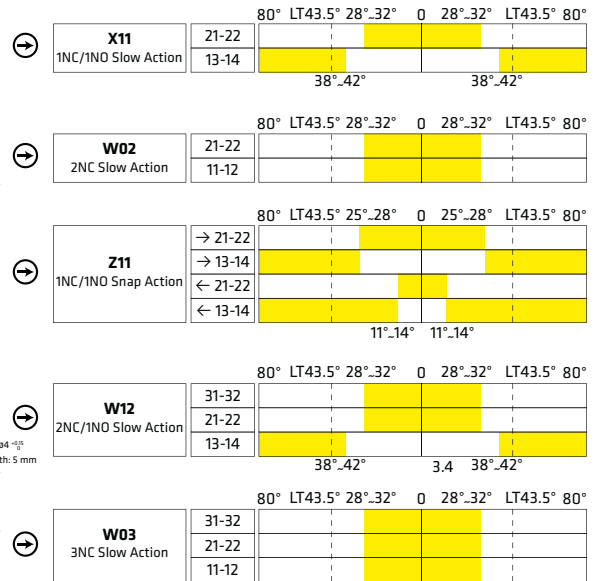


FTN140L: Variable length rubber roller lever Ø50 (Long Arm)

FTN	1	40L	X11	M
Series	Function	Head and actuators	Contact Types	Thread dimension of lead exit
	1 - Without Reset Function	40L - Variable length rubber roller lever Ø50 (Long Arm)	X11 - 1NC/1NO Slow Action W02 - 2NC Slow Action Z11 - 1NC/1NO Snap Action W12 - 2NC/1NO Slow Action W03 - 3NC Slow Action Slow Action & Snap Action: Type "Zb"	Standard: BLANK - M16 On request: M - M20 N - 1/2NPT G1 - PG11 G3 - PG13.5 C - Connector

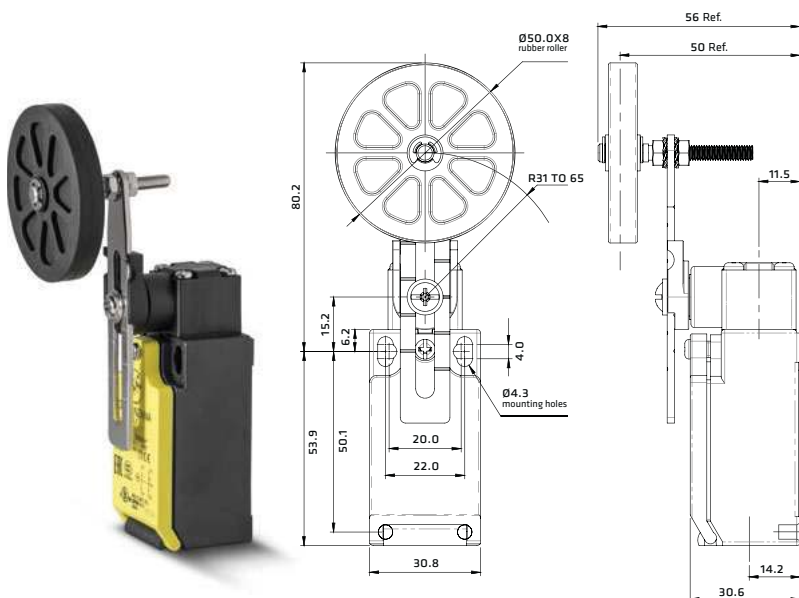


OPERATION DIAGRAMS

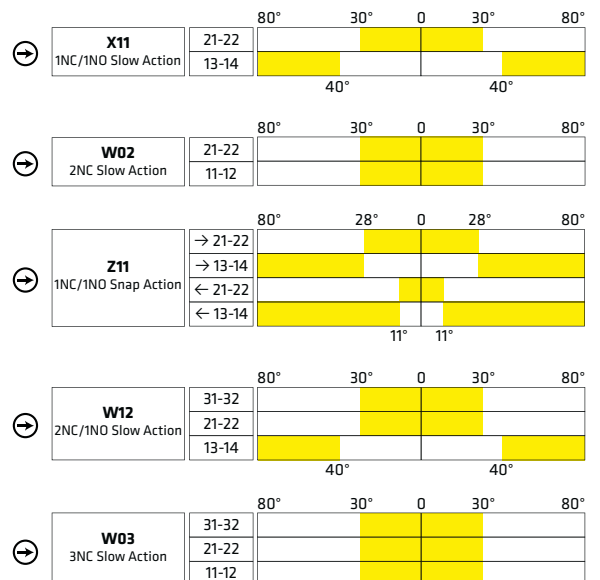


FTN140R: Variable length and rubber roller lever Ø50

FTN	1	40R	X11	M
Series	Function	Head and actuators	Contact Types	Thread dimension of lead exit
	1 - Without Reset Function	40R - Variable length and rubber roller lever Ø50	X11 - 1NC/1NO Slow Action W02 - 2NC Slow Action Z11 - 1NC/1NO Snap Action W12 - 2NC/1NO Slow Action W03 - 3NC Slow Action Slow Action & Snap Action: Type "Zb"	Standard: BLANK - M16 On request: M - M20 N - 1/2NPT G1 - PG11 G3 - PG13.5 C - Connector



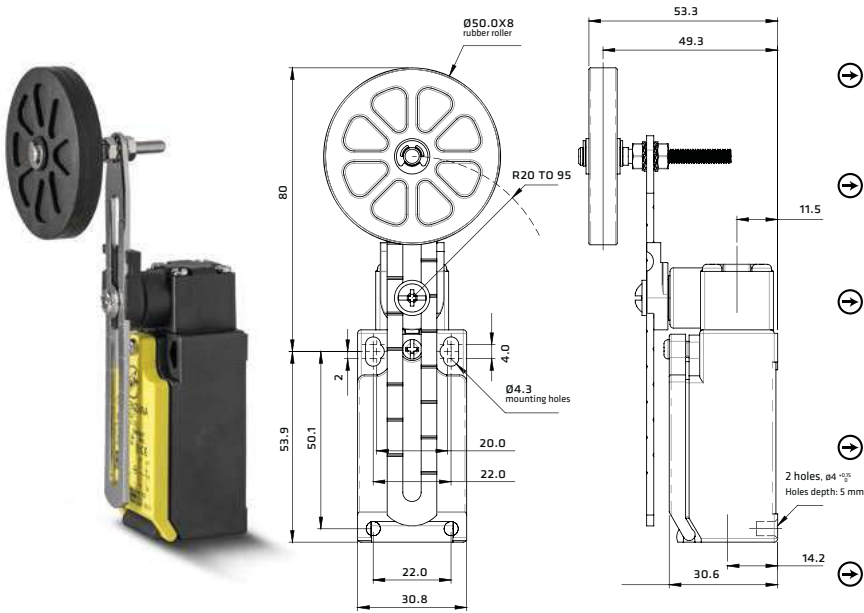
OPERATION DIAGRAMS





FTN140RL: Variable length and rubber roller lever Ø50 (Long Arm)

FTN	1	40RL	X11	M
Series	Function	Head and actuators	Contact Types	Thread dimension of lead exit
	1 - Without Reset Function	40RL - Variable length and rubber roller lever Ø50 (Long Arm)	X11 - 1NC/1NO Slow Action W02 - 2NC Slow Action Z11 - 1NC/1NO Snap Action W12 - 2NC/1NO Slow Action W03 - 3NC Slow Action Slow Action & Snap Action: Type "Zb"	Standard: BLANK - M16 On request: M - M20 N - 1/2NPT G1 - PG11 G3 - PG13.5 C - Connector

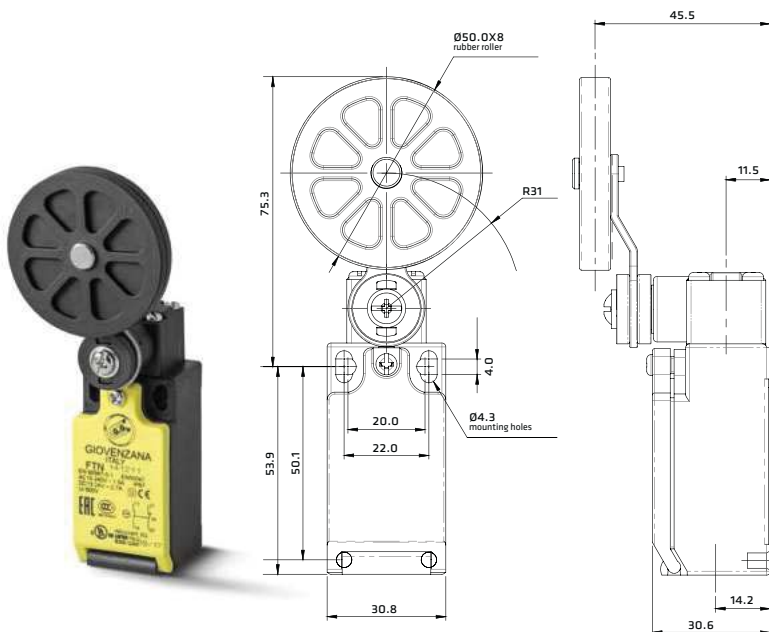


OPERATION DIAGRAMS

⊕	X11 1NC/1NO Slow Action	21-22	80°	LT43.5°	28°..32°	0	28°..32°	LT43.5°	80°	
		13-14	38°..42°		38°..42°					
⊕	W02 2NC Slow Action	21-22	80°	LT43.5°	28°..32°	0	28°..32°	LT43.5°	80°	
		11-12								
⊕	Z11 1NC/1NO Snap Action	→ 21-22	80°	LT43.5°	25°..28°	0	25°..28°	LT43.5°	80°	
		→ 13-14								
		← 21-22								
		← 13-14	11°..14°		11°..14°					
⊕	W12 2NC/1NO Slow Action	31-32	80°	LT43.5°	28°..32°	0	28°..32°	LT43.5°	80°	
		21-22								
		13-14	38°..42°		3.4		38°..42°			
⊕	W03 3NC Slow Action	31-32	80°	LT43.5°	28°..32°	0	28°..32°	LT43.5°	80°	
		21-22								
		11-12								

FTN141: Ø50 Rubber roller lever

FTN	1	41	X11	M
Series	Function	Head and actuators	Contact Types	Thread dimension of lead exit
	1 - Without Reset Function	41 - Ø50 Rubber roller lever	X11 - 1NC/1NO Slow Action W02 - 2NC Slow Action Z11 - 1NC/1NO Snap Action W12 - 2NC/1NO Slow Action W03 - 3NC Slow Action Slow Action & Snap Action: Type "Zb"	Standard: BLANK - M16 On request: M - M20 N - 1/2NPT G1 - PG11 G3 - PG13.5 C - Connector



OPERATION DIAGRAMS

⊕	X11 1NC/1NO Slow Action	21-22	80°	30°	0	30°	80°
		13-14	40°		40°		
⊕	W02 2NC Slow Action	21-22	80°	30°	0	30°	80°
		11-12					
⊕	Z11 1NC/1NO Snap Action	→ 21-22	80°	28°	0	28°	80°
		→ 13-14					
		← 21-22					
		← 13-14	11°		11°		
⊕	W12 2NC/1NO Slow Action	31-32	80°	30°	0	30°	80°
		21-22					
		13-14	40°		40°		
⊕	W03 3NC Slow Action	31-32	80°	30°	0	30°	80°
		21-22					
		11-12					

FTN142: Wobble stick

FTN	1	42	X11	M
Series	Function	Head and actuators	Contact Types	Thread dimension of lead exit

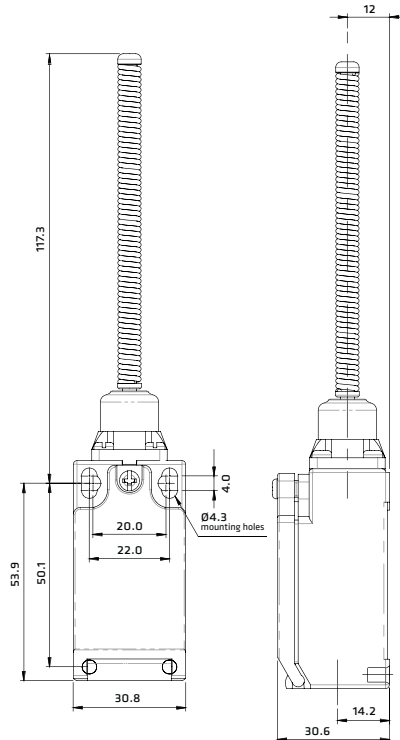
1 - Without Reset Function

42 - Wobble stick

X11 - 1NC/1NO Slow Action
W02 - 2NC Slow Action
Z11 - 1NC/1NO Snap Action
W12 - 2NC/1NO Slow Action
W03 - 3NC Slow Action

Standard: **BLANK** - M16
 On request:
M - M20
N - 1/2NPT
G1 - PG11
G3 - PG13.5
C - Connector

Slow Action & Snap Action: Type "Zb"



OPERATION DIAGRAMS

X11 1NC/1NO Slow Action	21-22	12° 0 12°
	13-14	20° 20°
W02 2NC Slow Action	21-22	12° 0 12°
	11-12	
Z11 1NC/1NO Snap Action	→ 21-22	12° 0 12°
	→ 13-14	
	← 21-22	5° 5°
	← 13-14	
W12 2NC/1NO Slow Action	31-32	12° 0 12°
	21-22	
	13-14	20° 20°
W03 3NC Slow Action	31-32	12° 0 12°
	21-22	
	11-12	

FTN143: Metal roller short lever Ø18

FTN	1	43	X11	M
Series	Function	Head and actuators	Contact Types	Thread dimension of lead exit

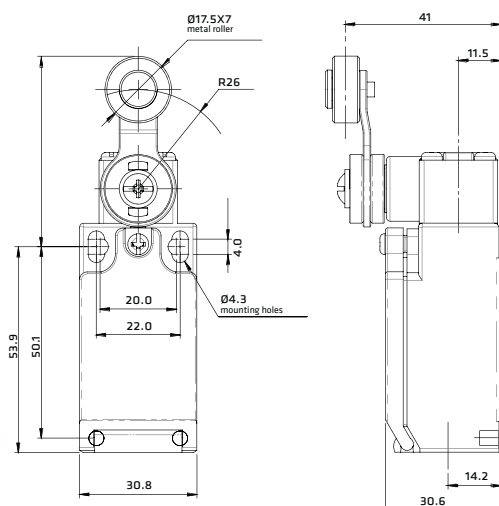
1 - Without Reset Function

43 - Metal roller short lever Ø18

X11 - 1NC/1NO Slow Action
W02 - 2NC Slow Action
Z11 - 1NC/1NO Snap Action
W12 - 2NC/1NO Slow Action
W03 - 3NC Slow Action

Standard: **BLANK** - M16
 On request:
M - M20
N - 1/2NPT
G1 - PG11
G3 - PG13.5
C - Connector

Slow Action & Snap Action: Type "Zb"



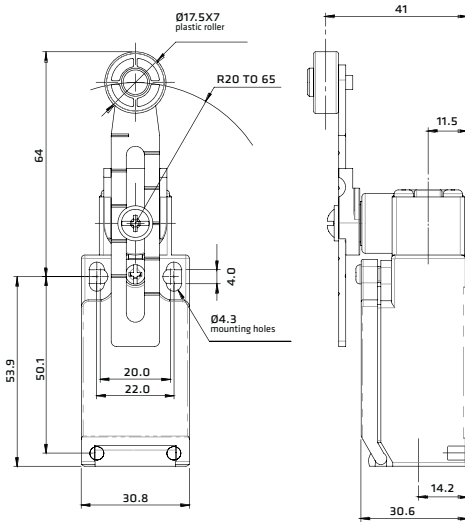
OPERATION DIAGRAMS

X11 1NC/1NO Slow Action	21-22	80° 30° 0 30° 80°
	13-14	40° 40°
W02 2NC Slow Action	21-22	80° 30° 0 30° 80°
	11-12	
Z11 1NC/1NO Snap Action	→ 21-22	80° 28° 0 28° 80°
	→ 13-14	
	← 21-22	11° 11°
	← 13-14	
W12 2NC/1NO Slow Action	31-32	80° 30° 0 30° 80°
	21-22	
	13-14	40° 40°
W03 3NC Slow Action	31-32	80° 30° 0 30° 80°
	21-22	
	11-12	

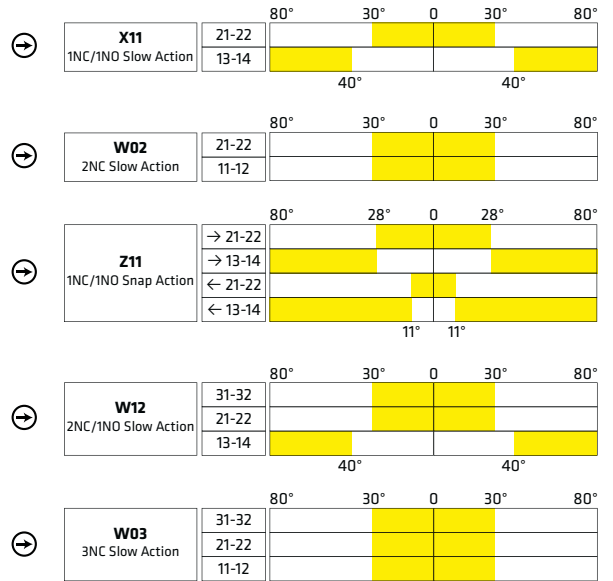


FTN144: Variable length roller lever Ø18

FTN	1	44	X11	M
Series	Function	Head and actuators	Contact Types	Thread dimension of lead exit
	1 - Without Reset Function	44 - Variable length roller lever Ø18	X11 -1NC/1NO Slow Action W02 - 2NC Slow Action Z11 - 1NC/1NO Snap Action W12 - 2NC/1NO Slow Action W03 - 3NC Slow Action Slow Action & Snap Action: Type "Zb"	Standard: BLANK - M16 On request: M - M20 N - 1/2NPT G1 - PG11 G3 - PG13.5 C - Connector

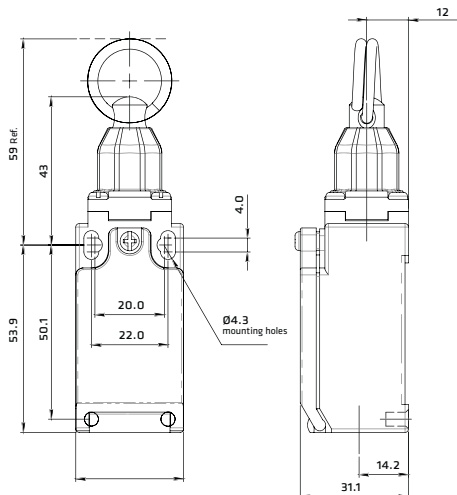


OPERATION DIAGRAMS



FTN198: Rope pull lever

FTN	1	98	X11	M
Series	Function	Head and actuators	Contact Types	Thread dimension of lead exit
	1 - Without Reset Function	98 - Rope pull lever	X11 -1NC/1NO Slow Action W02 - 2NC Slow Action Z11 - 1NC/1NO Snap Action W12 - 2NC/1NO Slow Action W03 - 3NC Slow Action Slow Action & Snap Action: Type "Zb"	Standard: BLANK - M16 On request: M - M20 N - 1/2NPT G1 - PG11 G3 - PG13.5 C - Connector



OPERATION DIAGRAMS... Coming Soon!



*Available more informations about this type of limit switch in the next page.

FTN198: Rope limit switch... Coming soon!

DESCRIPTION

The FTN198 switch has been specifically studied to control the lift shaft lights. The norm EN81.20 paragraph 5.2.1.5 states the necessity to have a light switching point next to the working area access and in the machines room.

To comply with this standard usually at every floor there are installed lighting points which control a step relay with its considerable costs due to the number of the control points and their wiring.

The FTN198 switch itself allows to control the shaft lights through its own wiring, without any need of different lighting points, relays or wiring.

INSTALLATION

The FTN198 switch is fixed to the superior part of the lift shaft and it's connected to a rope which goes down in the shaft next to the cabin. The rope has to be guided through rings in order to avoid the excessive oscillation caused by the cabin windage. At regular intervals along the rope, usually at every floor, an indicator is fixed to make the rope and its function clearly visible. The last indicator at the end of the rope has a weight inside to keep the rope tight. This way the operator on the cabin roof or in any position along the shaft has the possibility to operate the switch by pulling the practical indicator or the rope itself.

OPERATION

The FTN198 switch has a stable position function, which means that the first operation closes the contacts; the following one opens them and so on. To switch the shaft light on it is sufficient to pull the rope; to switch it off just repeat the operation.

LIMIT SWITCH + ACCESSORIES

FTN198

Rope limit switch



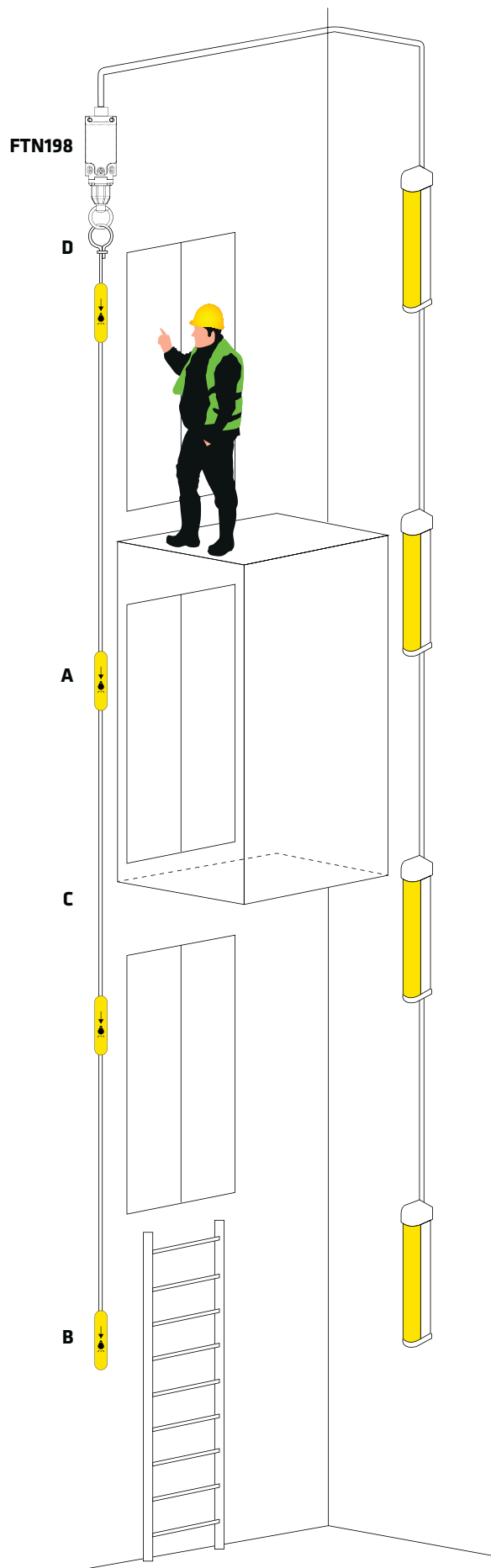
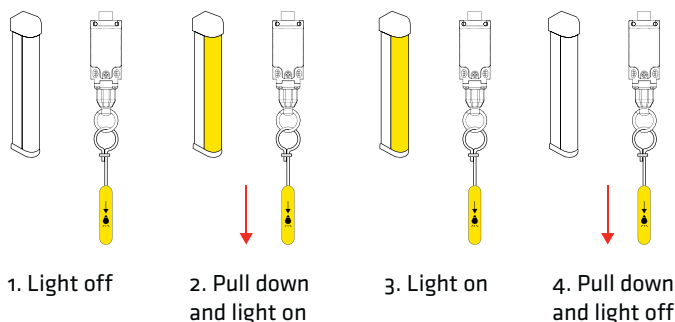
ROPE FUNCTION INDICATORS
Screw tightening torque closure:
0.8 ... 1.0 Nm

- A** End clamp for rope fixing
- B** Intermediate rope function indicators










YELLOW/TRANSPARENT ROPE ROLL
ø3mm with a brass-plated steel core and
a PVC coating

- C** 100 m rope

- D** **ROPE EXTREMITY CLAMP**












OPERATING FORCE FTN SERIES

TYPE	CONTACT BLOCK		OPERATING TRAVEL		OPERATING FORCE	POSITIVE OPENING		TOTAL TRAVEL
			PT	PT2nd	OF	Travel	Force	
	X11	1 NC/1 NO Slow Action	2.2 mm	3.0 mm	7.26 N	3.2 mm	19.0 N	6.0 mm
	W02	2 NC Slow Action	2.2 mm	-	7.42 N			
	Z11	1 NC/1 NO Snap Action	1.9 mm	-	6.71 N			
	W12	2 NC/1 NO Slow Action	2.2 mm	3.0 mm	7.26 N			
	W03	3 NC Slow Action	2.2 mm	-	7.42 N			
	X11	1 NC/1 NO Slow Action	3.0 mm	4.5 mm	5.21 N	5.7 mm	19.0 N	5.2 mm
	W02	2 NC Slow Action	3.0 mm	-	5.26 N			
	Z11	1 NC/1 NO Snap Action	2.9 mm	-	4.74 N			
	W12	2 NC/1 NO Slow Action	3.0 mm	4.5 mm	5.21 N			
	W03	3 NC Slow Action	3.0 mm	-	5.26 N			
	X11	1 NC/1 NO Slow Action	4.0 mm	6.0 mm	6.37 N	4.6 mm	19.0 N	9.8 mm
	W02	2 NC Slow Action	4.0 mm	-	6.98 N			
	Z11	1 NC/1 NO Snap Action	3.6 mm	-	5.76 N			
	W12	2 NC/1 NO Slow Action	4.0 mm	6.0 mm	6.37 N			
	W03	3 NC Slow Action	4.0 mm	-	6.98 N			
	X11	1 NC/1 NO Slow Action	2.2 mm	3.0 mm	7.26 N	3.2 mm	19.0 N	6.0 mm
	W02	2 NC Slow Action	2.2 mm	-	7.42 N			
	Z11	1 NC/1 NO Snap Action	1.9 mm	-	6.71 N			
	W12	2 NC/1 NO Slow Action	2.2 mm	3.0 mm	7.26 N			
	W03	3 NC Slow Action	2.2 mm	-	7.42 N			
	X11	1 NC/1 NO Slow Action	-	-	-	N/A	N/A	N/A
	W02	2 NC Slow Action	12°	-	6.5 N			
	Z11	1 NC/1 NO Snap Action	12°	-	5.3 N			
	W12	2 NC/1 NO Slow Action	-	-	-			
	W03	3 NC Slow Action	12°	-	6.5 N			
	X11	1 NC/1 NO Slow Action	-	-	-	N/A	N/A	N/A
	W02	2 NC Slow Action	12°	-	6.5 N			
	Z11	1 NC/1 NO Snap Action	12°	-	5.3 N			
	W12	2 NC/1 NO Slow Action	-	-	-			
	W03	3 NC Slow Action	12°	-	6.5 N			
	X11	1 NC/1 NO Slow Action	30°	41°	1.8 N	45°	19.0 N	80°
	W02	2 NC Slow Action	30°	-	1.8 N			
	Z11	1 NC/1 NO Snap Action	28°	-	1.9 N			
	W12	2 NC/1 NO Slow Action	30°	41°	1.8 N			
	W03	3 NC Slow Action	30°	-	1.8 N			
	X11	1 NC/1 NO Slow Action	30°	41°	6.5 N	45°	19.0 N	80°
	W02	2 NC Slow Action	30°	-	6.5 N			
	Z11	1 NC/1 NO Snap Action	28°	-	5.3 N			
	W12	2 NC/1 NO Slow Action	30°	41°	6.5 N			
	W03	3 NC Slow Action	30°	-	6.5 N			
	X11	1 NC/1 NO Slow Action	30°	41°	6.5 N	45°	19.0 N	80°
	W02	2 NC Slow Action	30°	-	6.5 N			
	Z11	1 NC/1 NO Snap Action	28°	-	5.3 N			
	W12	2 NC/1 NO Slow Action	30°	41°	6.5 N			
	W03	3 NC Slow Action	30°	-	6.5 N			



OPERATING FORCE FTN SERIES

TYPE	CONTACT BLOCK		OPERATING TRAVEL		OPERATING FORCE	POSITIVE OPENING		TOTAL TRAVEL
			PT	PT2nd	OF	Travel	Force	
	X11	1 NC/1 NO Slow Action	30°	41°	5.2 N	45°	19.0 N	80°
	W02	2 NC Slow Action	30°	-	5.2 N			
	Z11	1 NC/1 NO Snap Action	28°	-	4.5 N			
	W12	2 NC/1 NO Slow Action	30°	41°	5.2 N			
	W03	3 NC Slow Action	30°	-	5.2 N			
	X11	1 NC/1 NO Slow Action	30°	41°	5.2 N	45°	19.0 N	80°
	W02	2 NC Slow Action	30°	-	5.2 N			
	Z11	1 NC/1 NO Snap Action	35°	-	5.3 N			
	W12	2 NC/1 NO Slow Action	30°	41°	5.2 N			
	W03	3 NC Slow Action	30°	-	5.2 N			
	X11	1 NC/1 NO Slow Action	30°	41°	5.2 N	45°	19.0 N	80°
	W02	2 NC Slow Action	30°	-	5.2 N			
	Z11	1 NC/1 NO Snap Action	28°	-	4.5 N			
	W12	2 NC/1 NO Slow Action	30°	41°	5.2 N			
	W03	3 NC Slow Action	30°	-	5.2 N			
	X11	1 NC/1 NO Slow Action	30°	41°	5.2 N	45°	19.0 N	80°
	W02	2 NC Slow Action	30°	-	5.2 N			
	Z11	1 NC/1 NO Snap Action	35°	-	5.3 N			
	W12	2 NC/1 NO Slow Action	30°	41°	5.2 N			
	W03	3 NC Slow Action	30°	-	5.2 N			
	X11	1 NC/1 NO Slow Action	30°	41°	6.5 N	45°	19.0 N	80°
	W02	2 NC Slow Action	30°	-	6.5 N			
	Z11	1 NC/1 NO Snap Action	35°	-	5.3 N			
	W12	2 NC/1 NO Slow Action	30°	41°	6.5 N			
	W03	3 NC Slow Action	30°	-	6.5 N			
	X11	1 NC/1 NO Slow Action	-	-	-	N/A	N/A	N/A
	W02	2 NC Slow Action	12°	-	5.2 N			
	Z11	1 NC/1 NO Snap Action	12°	-	4.5 N			
	W12	2 NC/1 NO Slow Action	-	-	-			
	W03	3 NC Slow Action	12°	-	5.2 N			
	X11	1 NC/1 NO Slow Action	30°	41°	6.5 N	45°	19.0 N	80°
	W02	2 NC Slow Action	30°	-	6.5 N			
	Z11	1 NC/1 NO Snap Action	35°	-	5.3 N			
	W12	2 NC/1 NO Slow Action	30°	41°	6.5 N			
	W03	3 NC Slow Action	30°	-	6.5 N			
	X11	1 NC/1 NO Slow Action	30°	41°	6.5 N	45°	19.0 N	80°
	W02	2 NC Slow Action	30°	-	6.5 N			
	Z11	1 NC/1 NO Snap Action	28°	-	5.3 N			
	W12	2 NC/1 NO Slow Action	30°	41°	6.5 N			
	W03	3 NC Slow Action	30°	-	6.5 N			
	X11	1 NC/1 NO Slow Action	-	-	-			
	W02	2 NC Slow Action	-	-	-			
	Z11	1 NC/1 NO Snap Action	Coming soon!					
	W12	2 NC/1 NO Slow Action	-	-	-			
	W03	3 NC Slow Action	-	-	-			



GIOVENZANA

INTERNATIONAL B.V.



LIMIT SWITCHES WITH MANUAL RESET
FTN1R SERIES



B FTN1R SERIES LIMIT SWITCHES WITH MANUAL RESET

DESCRIPTION



The **FTN1R series** limit switches with manual reset, conform to EN 50047, have been developed to provide a range of options including a various choice of snap acting and slow acting and a wide range of actuator heads.

The **FTN1R series** offers the option of rotating the head in 90° increments before installation to allow ease of mounting.

Giovenzana limit switches can be used in various applications in automation, lift and handling system fields.

Operation of these limit switches is achieved by the sliding action of the guard or the moving object deflecting the plunger or lever.

For safety applications it's important that upon actuation, the guard or other moving objects should not pass completely over the switch and allow the plunger or lever to return to its original position.

TECHNICAL DATA - HOUSING

Made of glass- reinforced polymer, self-extinguishing, shock-proof thermoplastic resin and with double insulation	☐
FTN1R Series one threaded conduit entry	Standard: M16
Protection degree	IP67 according to EN60529 with cable gland having equal or higher protection degree

GENERAL DATA

Positive opening operation	NC contact ⤴
Utilization category	AC15 A600
Minimum admissible current	5V, 5mA, DC
Insulation resistance	100MΩ min (DC 500V)
Contact resistance	25mΩ max (Initial)
Enclosure material	UL approved glass-filled polybutylene terephthalate
Operating temperature	Min -25°C (-18°F) / Max 80°C (+176°F)
Mechanical life expectancy	1x10 ⁶ cycles min
Electrically life expectancy	150.000 cycles min
Vibration resistance	IEC 68-2-6, 10-55Hz ± 1Hz, Excursion: 0.35mm, 1 octave/min
Conduit entry	Various
Fixing	2xM4

ELECTRICAL DATA

Rated thermal current (I _{th})	10A
Rated insulation voltage (U _i)	600V AC
Rated impulse withstand voltage (U _{imp})	2500V AC
Pollution degree	3
Protection against electric shock	Class II (Double insulation)


STANDARDS & APPROVALS

Standards	EN60947-5-1, UL508, EN50047, EN1088
Approvals	cULus, EAC and CCC for all applicable directives

QUALITY MARKS




MAIN FEATURES

- Each model features a positive opening mechanism (NC contacts only) and equipped with a lockable head.
- Conforms to EN (TUV) standards corresponding to the CE marking.
-  Positive opening operation of NC (Normally Closed) contacts conforming to IEC/EN 60947-5-1.
- Double insulation makes ground terminal unnecessary.
- Wide standard operating temperature range: -25°C to 80°C.
- Full range of actuator heads and levers suitable for safety applications.
- Sealing up to IP67.
- Wide switch variations (Snap action and slow action basic switches).

ACCORDING TO STANDARDS

EN81.20 Safety contacts according to EN60947-5-1.
EN81.50 Protection degree higher than IP4x. Mechanical endurance higher than 1x10⁶ cycles.

INSTALLATION FOR SAFETY APPLICATIONS

Use only switches marked with the symbol . Always connect the safety circuit to the **NC contact** (normally closed contacts: 11-12 / 21-22 / 31-32) as required by **EN ISO 14119 paragraph 5.4** and as stated in the standard **EN81.20 paragraph 5.11.2.2.1**.



TAKE CARE!

If not expressly indicated in this chapter, for the correct installation and utilization of all articles see the instructions given on pages 92-93.

DATA TYPE APPROVED BY UL

Utilization categories:

FTN1R SERIES	Q300	A600	1 NC/1 NO Slow Action 2 NC Slow Action
		B600	1 NC/1 NO Snap Action
		A300	2 NC/1 NO Slow Action (3 poles) 3 NC Slow Action (3 poles)

Data of the housing type 1.

For all contact blocks use 60 or 75°C copper (Cu) conductor and wire size No. 14 - 18 AWG.

Terminal tightening torque of 7.1 lb in (0.8 Nm).

In conformity with standard: UL508, CSA 22.2 No. 14 - 10.



Please contact our technical service for the list of approved products.

PROTECTION CLASS

IP67


Designed to be used even in the most severe environmental situations, these devices pass the immersion test IP67 in conformity with EN 60529.

DOUBLE INSULATION

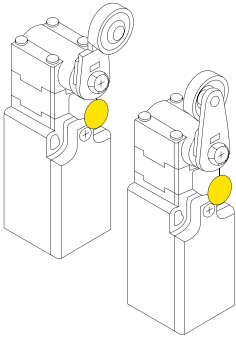


Materials of group II, according to IEC 536, are made with double insulation. This consists of doubling the insulation capability by means of an additional divider in order to eliminate any electrical shock risk and avoid the need for any additional protections.

POSITIVE OPENING

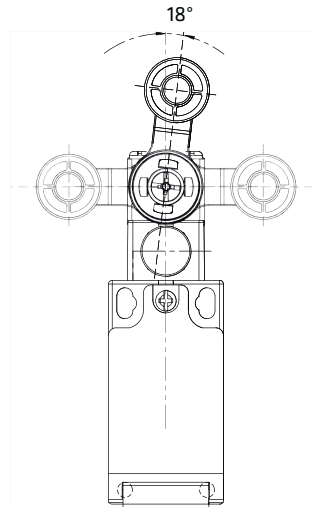
 A limit switch complies to the specification when all the normally closed contact elements of the switch can be changed, with certainty, to the open position (no flexible link between the moving contacts and the operator of the switch, to which an actuating force is applied). Positive opening doesn't apply to NO contacts. Control switches with positive opening operation can be equipped with either slow-break or snap action contacts. In order to use different contacts on the same switch, it is necessary to electrically separate them; otherwise only one contact can be used. Every positive opening control switch must be marked on the external housing with the symbol on the left.

OVERTURNING LEVERS



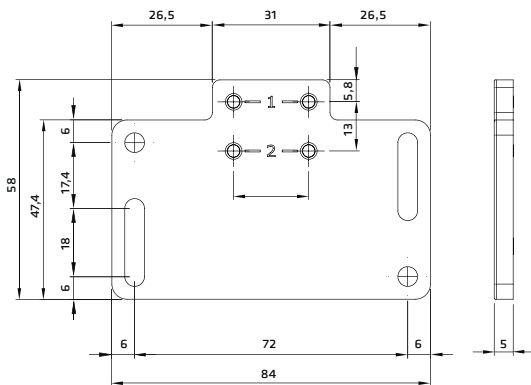
It's possible to fasten the lever on switches on straight or reverse side, maintaining the positive coupling. In this way it is possible to obtain two different work plans of the lever.

ADJUSTABLE LEVERS



In switches with revolving lever it is possible to adjust the lever with 18° steps for the whole 360° range. The positive movement transmission is always guaranteed thanks to the particular geometrical coupling between the lever and the revolving shaft.

ADAPTIVE PLATE



Fixing plate equipped with large slots for adjusting the operating point developed for backwards compatibility with old products. Each plate has a double pair of fixing holes.

The plate is sold in kit with **KIT-FTN** code.

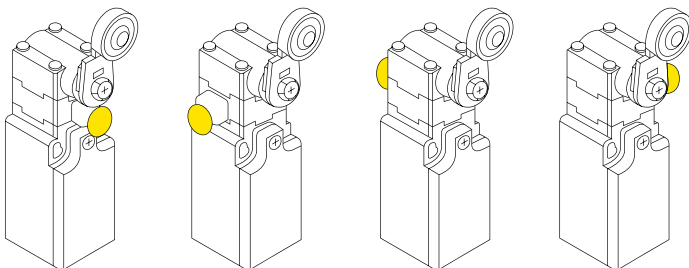
The **KIT-FTN** is inclusive of:

- 1 plate (code 12907009);
- 2 self-tapping screws 4x28 mm;
- 2 washers ø4 mm.

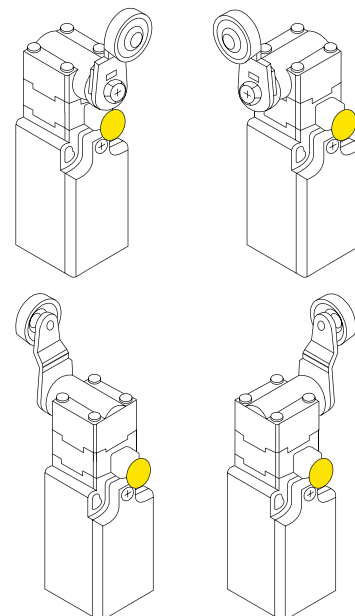
ROTATING RESET DEVICE

The device can be rotated independently from the above actuator, making the product highly flexible in the positioning.

The reset is obtained by pulling back the blue button, as prescribed by standards, to avoid that unwanted objects could reset it accidentally.



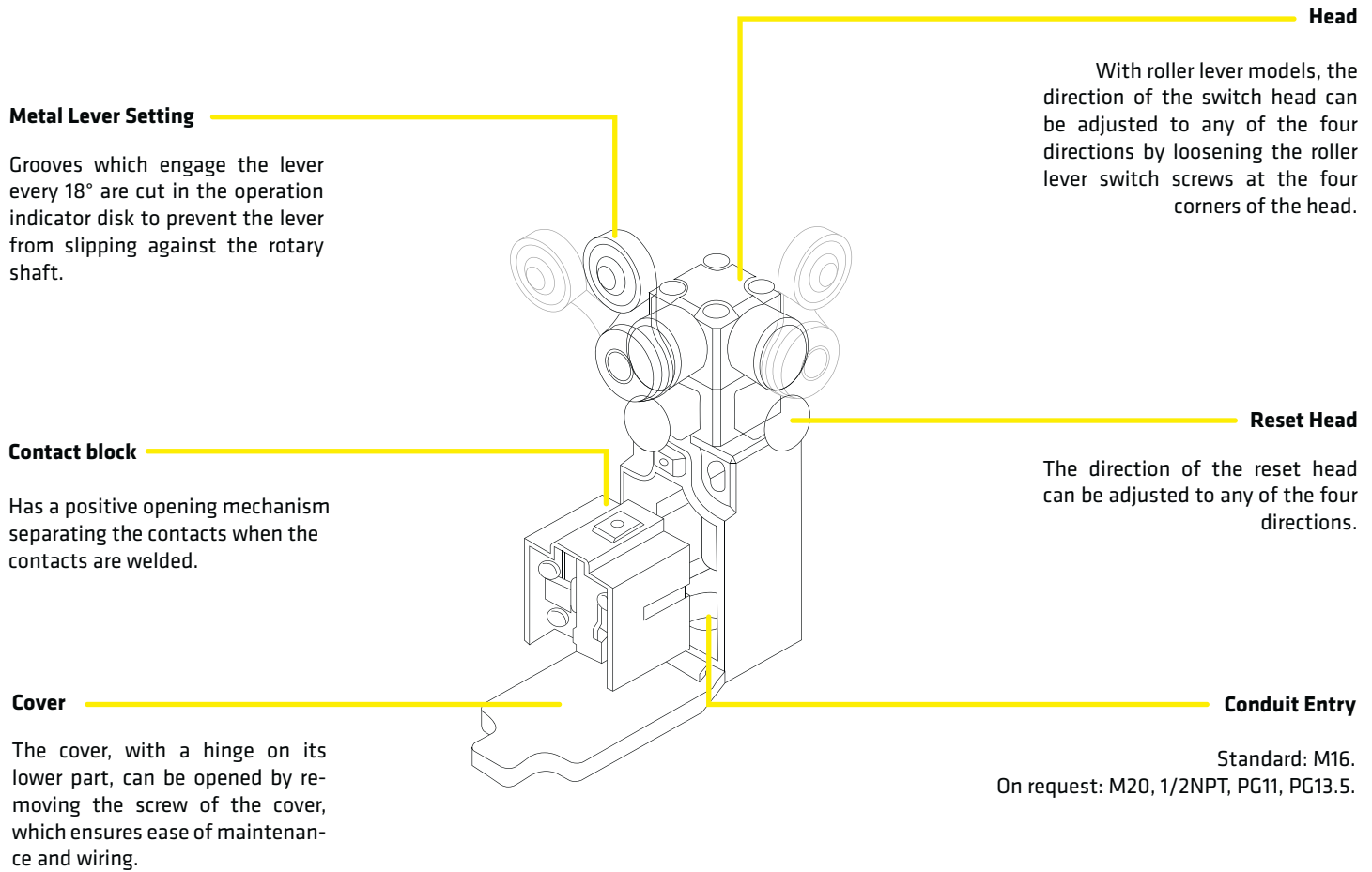
ROTATING HEADS



In all switches, it is possible to rotate the head in 90° steps.



STRUCTURE DESCRIPTION



PRODUCT SELECTION

FTN	1R	31	X11	M
Series	Function	Head and actuators	Contact Types	Thread dimension of lead exit
	1R - With Reset Function	31 - Push plunger type 32 - Roller lever type 33 - One-way roller arm lever type 34 - Roller plunger type 37 - Rod lever type 38 - Roller arm type 39 - Adjustable roller arm type (Long Arm) 40 - Adjustable roller arm type (Big Arm) 40R - Two ways adjustable roller arm type 41 - Big roller arm type 43 - Mental roller arm type 44 - Adjustable roller arm type (Standard Arm)	X11 - 1NC/1NO Slow Action W02 - 2NC Slow Action Z11 - 1NC/1NO Snap Action W12 - 2NC/1NO Slow Action W03 - 3NC Slow Action Slow Action & Snap Action: Type "Zb"	Standard: BLANK - M16 On request: M - M20 N - 1/2NPT G1 - PG11 G3 - PG13.5 C - Connector

CONTACT BLOCK FORM

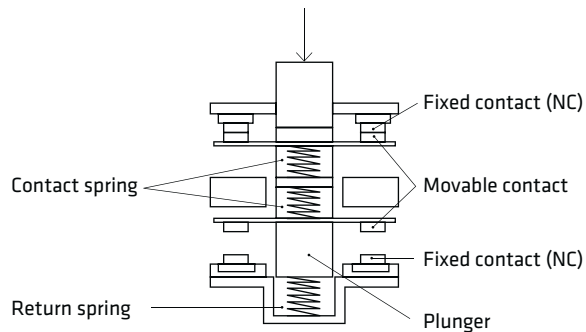
Contact Types	X11	W02	Z11	W12	W03
Contact Form	1NC/1NO Slow Action	2NC Slow Action	1NC/1NO Snap Action	2NC/1NO Slow Action	3NC Slow Action
Electrical Schemes					
Connector pin Arrangement				No Connector type	

M12 Connector pin arrangement - on request

POSITIVE OPEN MECHANISM

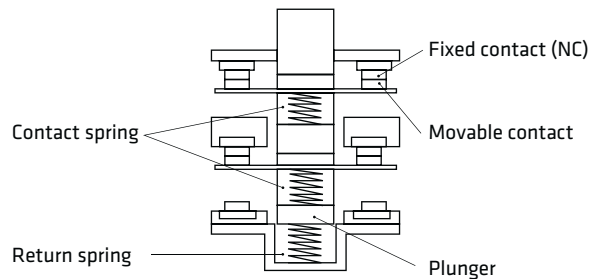
1NC/NO Contact (Slow action)

Only the NC contacts have a positive opening function. When metal deposition occurs, the contacts are separated from each other by pushing in the plunger.

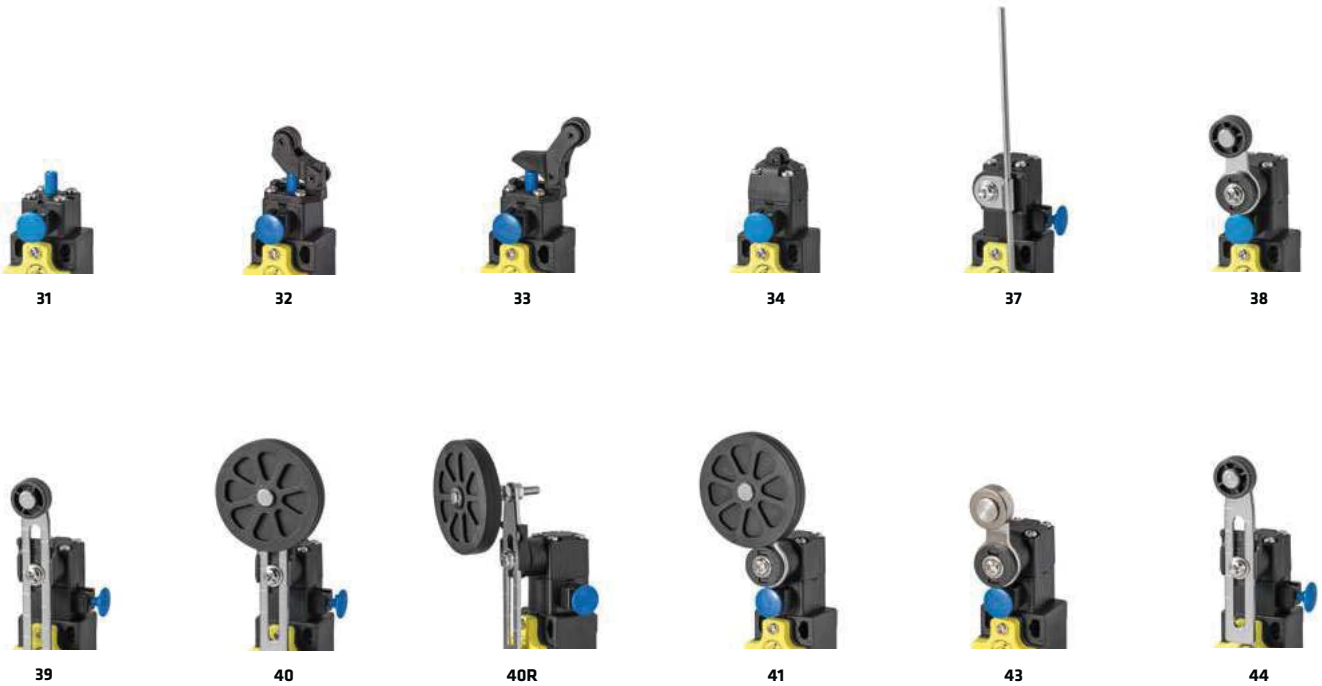


2NC Contact (Slow action)

Both NC contacts incorporate a positive opening function. When metal deposition occurs, the contacts are separated from each other by pushing in the plunger.



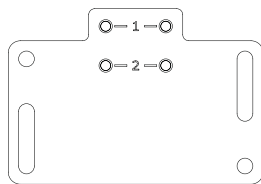
SELECTION DIAGRAM



- X11** - 1NC/1NO Slow Action
- W02** - 2NC Slow Action
- Z11** - 1NC/1NO Snap Action
- W12** - 2NC/1NO Slow Action
- W03** - 3NC Slow Action

Accessory
sell separately

- KIT-FTN** is inclusive of:
- 1 plate (code 12907009);
 - 2 self-tapping screws 4x28 mm;
 - 2 washers Ø4 mm.



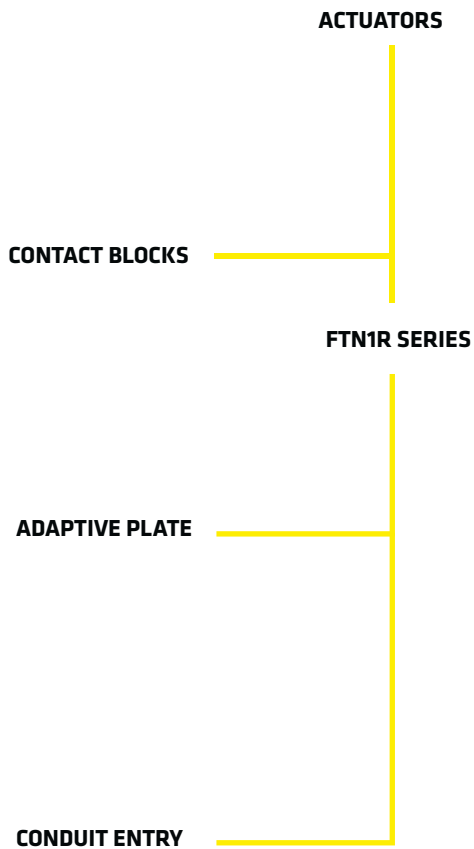
Threaded conduit entry

Standard:
BLANK - M16

- On request:
- M** - M20
 - N** - 1/2NPT
 - G1** - PG11
 - G3** - PG13.5
 - C** - Connector

Wiring

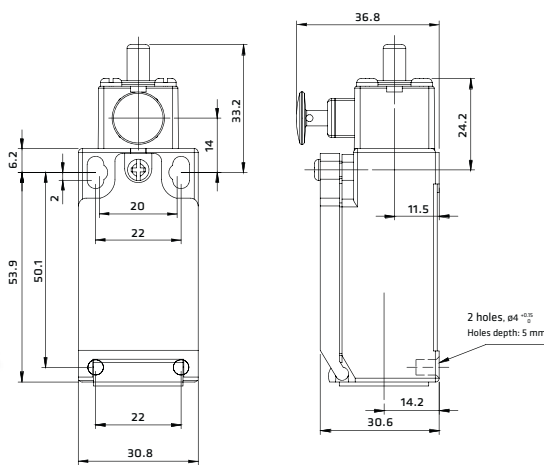
Customized wirings are available on request, with connectors and cables in accordance with customers' specifications.



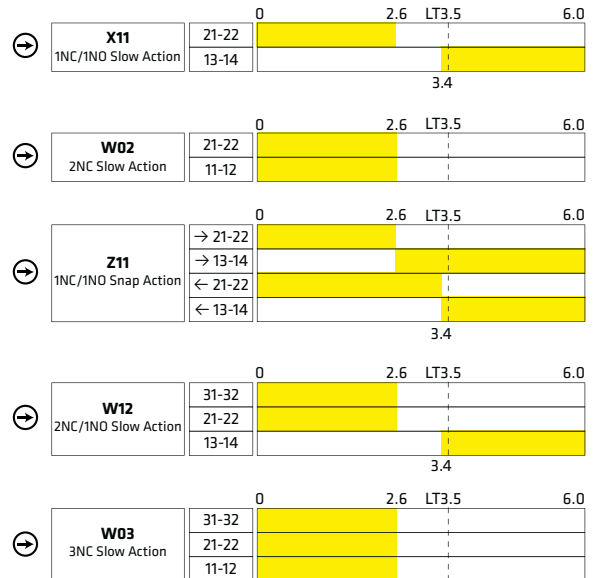


FTN1R31: Push plunger type

FTN	1R	31	X11	M
Series	Function	Head and actuators	Contact Types	Thread dimension of lead exit
	1R - With Reset Function	31 - Push plunger type	X11 - 1NC/1NO Slow Action W02 - 2NC Slow Action Z11 - 1NC/1NO Snap Action W12 - 2NC/1NO Slow Action W03 - 3NC Slow Action Slow Action & Snap Action: Type "Zb"	Standard: BLANK - M16 On request: M - M20 N - 1/2NPT G1 - PG11 G3 - PG13.5 C - Connector

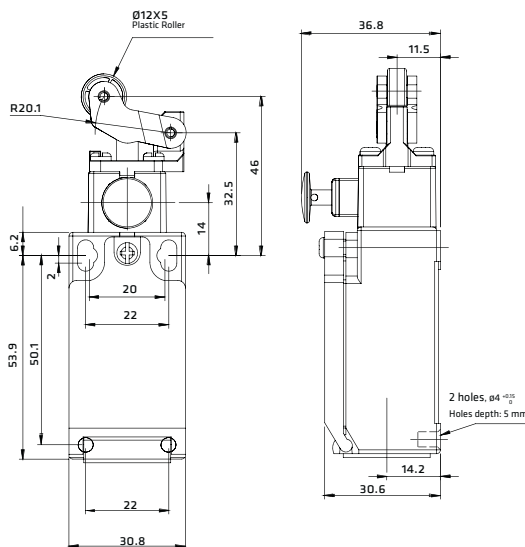


OPERATION DIAGRAMS

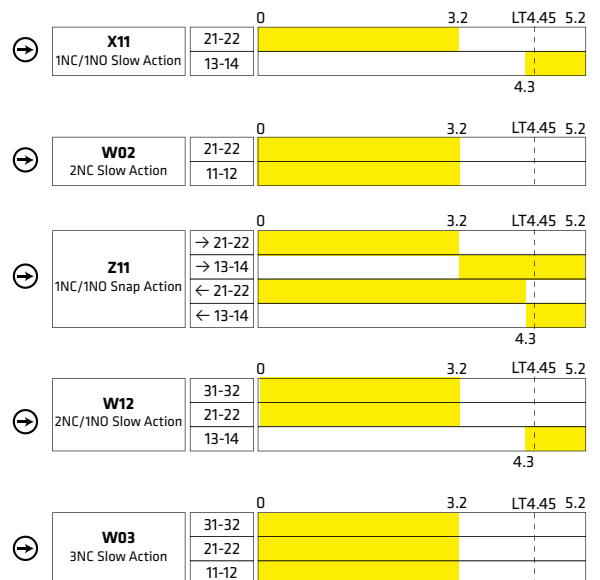


FTN1R32: Roller lever type

FTN	1R	32	X11	M
Series	Function	Head and actuators	Contact Types	Thread dimension of lead exit
	1R - With Reset Function	32 - Roller lever type	X11 - 1NC/1NO Slow Action W02 - 2NC Slow Action Z11 - 1NC/1NO Snap Action W12 - 2NC/1NO Slow Action W03 - 3NC Slow Action Slow Action & Snap Action: Type "Zb"	Standard: BLANK - M16 On request: M - M20 N - 1/2NPT G1 - PG11 G3 - PG13.5 C - Connector

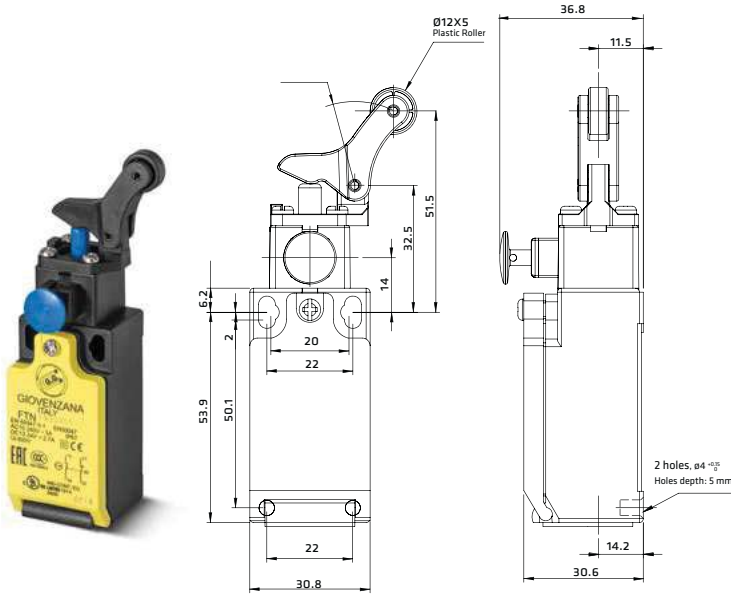


OPERATION DIAGRAMS



FTN1R33: One-way roller arm lever type

FTN	1R	33	X11	M
Series	Function	Head and actuators	Contact Types	Thread dimension of lead exit
	1R - With Reset Function	33 - One-way roller arm lever type	X11 - 1NC/1NO Slow Action W02 - 2NC Slow Action Z11 - 1NC/1NO Snap Action W12 - 2NC/1NO Slow Action W03 - 3NC Slow Action Slow Action & Snap Action: Type "Zb"	Standard: BLANK - M16 On request: M - M20 N - 1/2NPT G1 - PG11 G3 - PG13.5 C - Connector

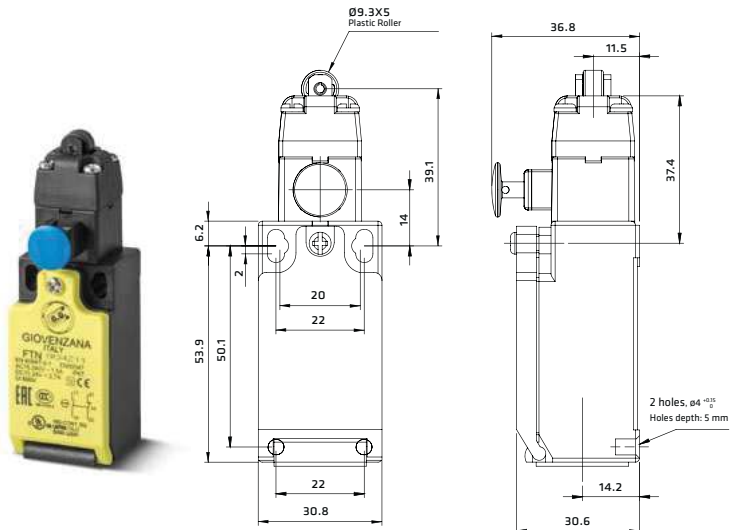


OPERATION DIAGRAMS

⊕	X11 1NC/1NO Slow Action	21-22	0	3.4	LT5.3	9.8
		13-14	5.1			
⊕	W02 2NC Slow Action	21-22	0	3.4	LT5.3	9.8
		11-12				
⊕	Z11 1NC/1NO Snap Action	→ 21-22	0	3.4	LT5.3	9.8
		→ 13-14				
		← 21-22				
		← 13-14	5.1			
⊕	W12 2NC/1NO Slow Action	31-32	0	3.4	LT5.3	9.8
		21-22				
		13-14	5.1			
⊕	W03 3NC Slow Action	31-32	0	3.4	LT5.3	9.8
		21-22				
		11-12				

FTN1R34: Roller plunger type

FTN	1R	34	X11	M
Series	Function	Head and actuators	Contact Types	Thread dimension of lead exit
	1R - With Reset Function	34 - Roller plunger type	X11 - 1NC/1NO Slow Action W02 - 2NC Slow Action Z11 - 1NC/1NO Snap Action W12 - 2NC/1NO Slow Action W03 - 3NC Slow Action Slow Action & Snap Action: Type "Zb"	Standard: BLANK - M16 On request: M - M20 N - 1/2NPT G1 - PG11 G3 - PG13.5 C - Connector




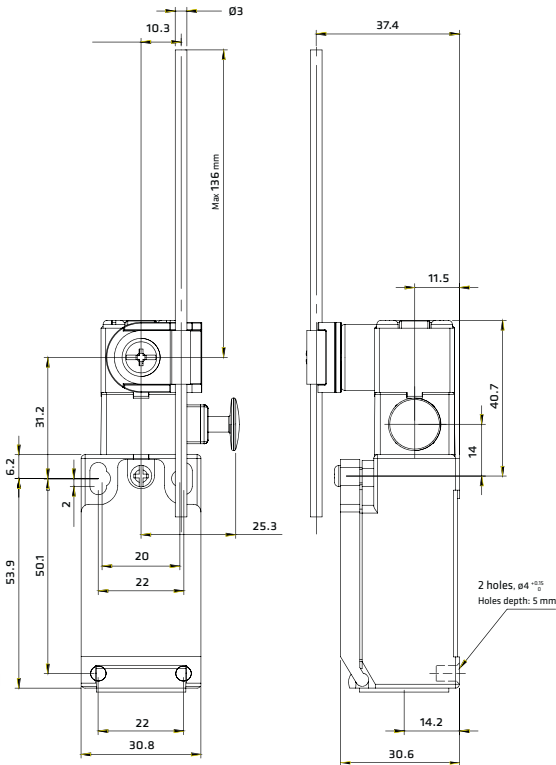
OPERATION DIAGRAMS

⊕	X11 1NC/1NO Slow Action	21-22	0	1.9	LT2.8	6.0
		13-14	2.7			
⊕	W02 2NC Slow Action	21-22	0	1.9	LT2.8	6.0
		11-12				
⊕	Z11 1NC/1NO Snap Action	→ 21-22	0	1.9	LT2.8	6.0
		→ 13-14				
		← 21-22				
		← 13-14	2.7			
⊕	W12 2NC/1NO Slow Action	31-32	0	1.9	LT2.8	6.0
		21-22				
		13-14	2.7			
⊕	W03 3NC Slow Action	31-32	0	1.9	LT2.8	6.0
		21-22				
		11-12				

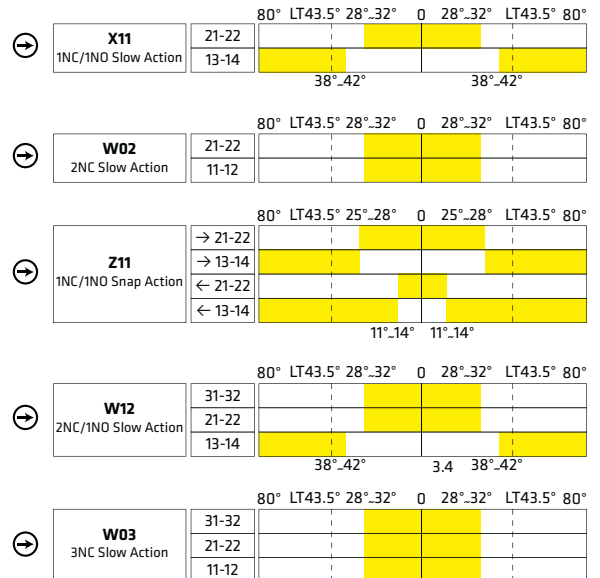


FTN1R37: Rod lever type

FTN	1R	37	X11	M
Series	Function	Head and actuators	Contact Types	Thread dimension of lead exit
	1R - With Reset Function	37 - Rod lever type	X11 - 1NC/1NO Slow Action W02 - 2NC Slow Action Z11 - 1NC/1NO Snap Action W12 - 2NC/1NO Slow Action W03 - 3NC Slow Action Slow Action & Snap Action: Type "Zb"	Standard: BLANK - M16 On request: M - M20 N - 1/2NPT G1 - PG11 G3 - PG13.5 C - Connector


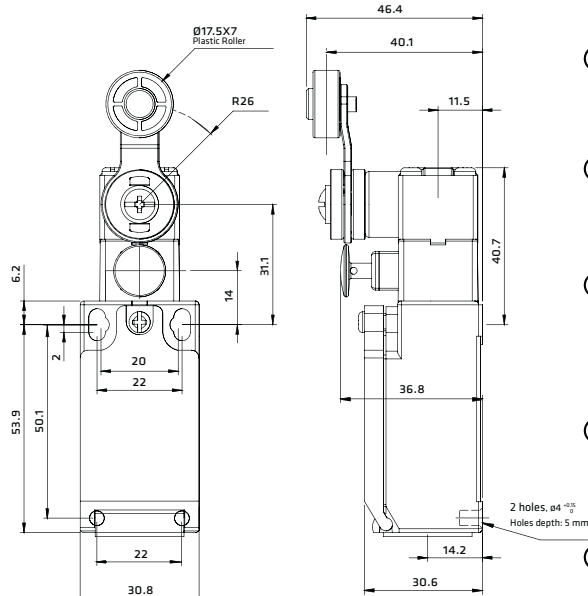



OPERATION DIAGRAMS

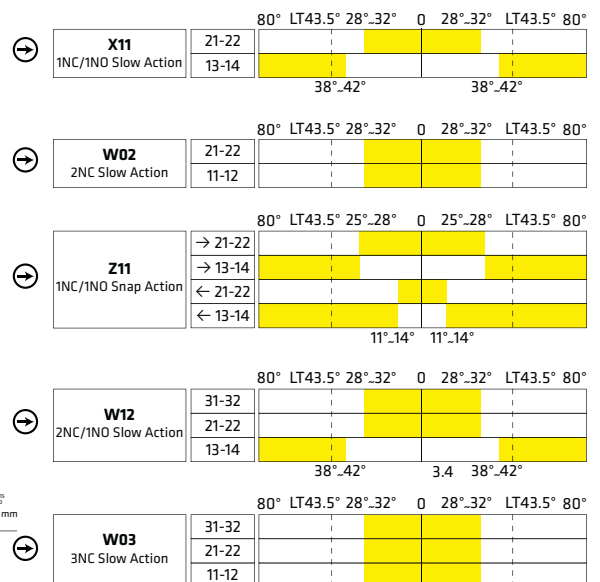


FTN1R38: Roller arm type

FTN	1R	38	X11	M
Series	Function	Head and actuators	Contact Types	Thread dimension of lead exit
	1R - With Reset Function	38 - Roller arm type	X11 - 1NC/1NO Slow Action W02 - 2NC Slow Action Z11 - 1NC/1NO Snap Action W12 - 2NC/1NO Slow Action W03 - 3NC Slow Action Slow Action & Snap Action: Type "Zb"	Standard: BLANK - M16 On request: M - M20 N - 1/2NPT G1 - PG11 G3 - PG13.5 C - Connector

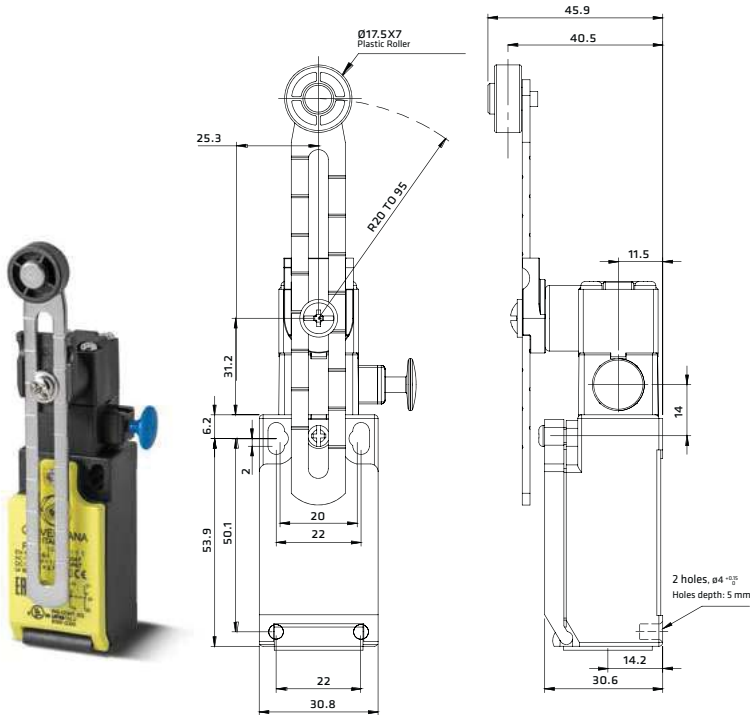
OPERATION DIAGRAMS





FTN1R39: Adjustable roller arm type (Long Arm)

FTN	1R	39	X11	M
Series	Function	Head and actuators	Contact Types	Thread dimension of lead exit
	1R - With Reset Function	39 - Adjustable roller arm type (Long Arm)	X11 - 1NC/1NO Slow Action W02 - 2NC Slow Action Z11 - 1NC/1NO Snap Action W12 - 2NC/1NO Slow Action W03 - 3NC Slow Action Slow Action & Snap Action: Type "Zb"	Standard: BLANK - M16 On request: M - M20 N - 1/2NPT G1 - PG11 G3 - PG13.5 C - Connector

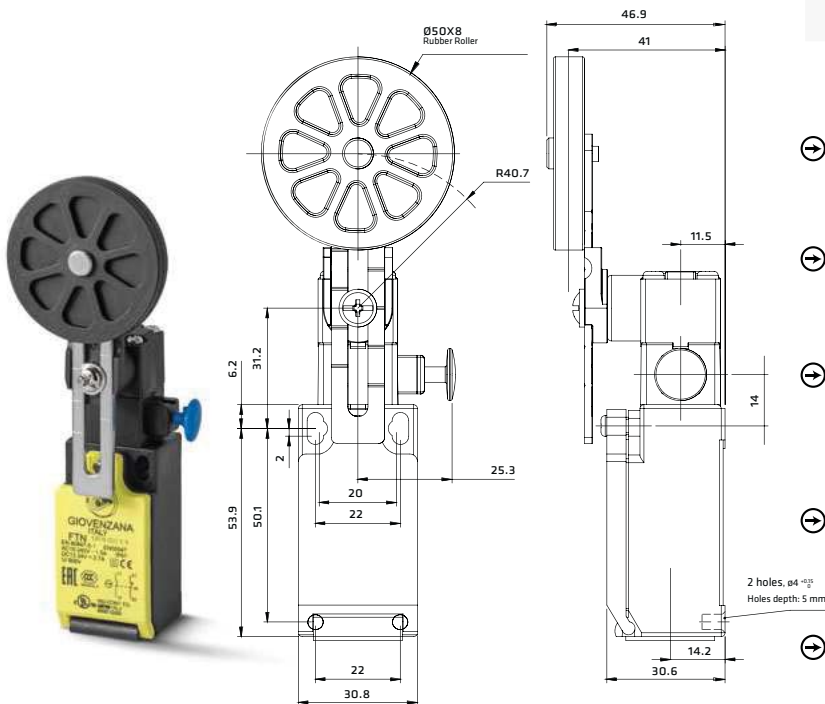


OPERATION DIAGRAMS

⊕	X11 1NC/1NO Slow Action	21-22	80°	LT43.5°	28°..32°	0	28°..32°	LT43.5°	80°
		13-14	38°..42°		38°..42°				
⊕	W02 2NC Slow Action	21-22	80°	LT43.5°	28°..32°	0	28°..32°	LT43.5°	80°
		11-12							
⊕	Z11 1NC/1NO Snap Action	→ 21-22	80°	LT43.5°	25°..28°	0	25°..28°	LT43.5°	80°
		→ 13-14							
		← 21-22							
		← 13-14	11°..14°		11°..14°				
⊕	W12 2NC/1NO Slow Action	31-32	80°	LT43.5°	28°..32°	0	28°..32°	LT43.5°	80°
		21-22							
		13-14	38°..42°		3.4 38°..42°				
⊕	W03 3NC Slow Action	31-32	80°	LT43.5°	28°..32°	0	28°..32°	LT43.5°	80°
		21-22							
		11-12							

FTN1R40: Adjustable roller arm type (Big Arm)

FTN	1R	40	X11	M
Series	Function	Head and actuators	Contact Types	Thread dimension of lead exit
	1R - With Reset Function	40 - Adjustable roller arm type (Big Arm)	X11 - 1NC/1NO Slow Action W02 - 2NC Slow Action Z11 - 1NC/1NO Snap Action W12 - 2NC/1NO Slow Action W03 - 3NC Slow Action Slow Action & Snap Action: Type "Zb"	Standard: BLANK - M16 On request: M - M20 N - 1/2NPT G1 - PG11 G3 - PG13.5 C - Connector



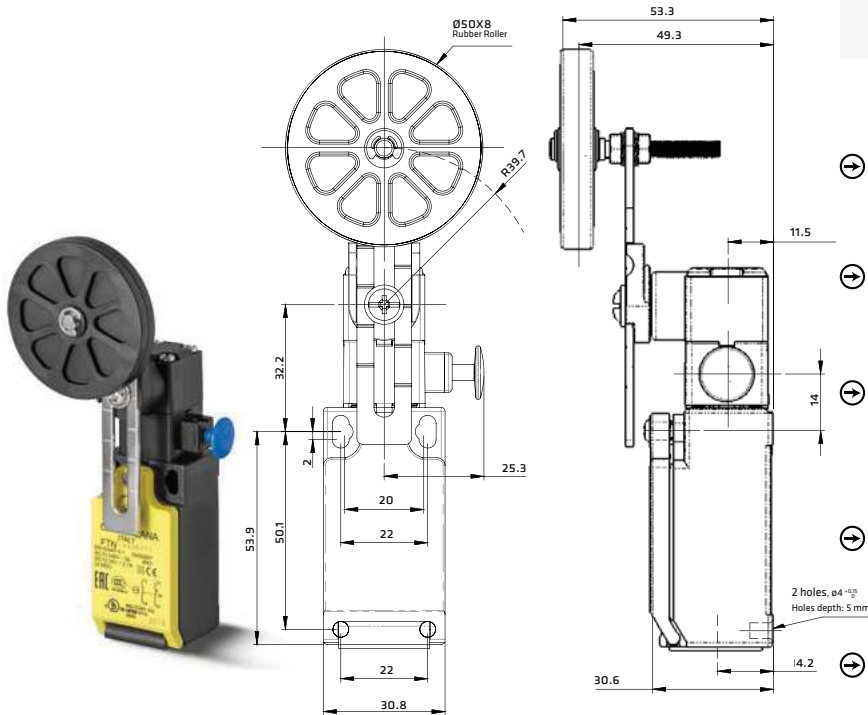
OPERATION DIAGRAMS

⊕	X11 1NC/1NO Slow Action	21-22	80°	LT43.5°	28°..32°	0	28°..32°	LT43.5°	80°
		13-14	38°..42°		38°..42°				
⊕	W02 2NC Slow Action	21-22	80°	LT43.5°	28°..32°	0	28°..32°	LT43.5°	80°
		11-12							
⊕	Z11 1NC/1NO Snap Action	→ 21-22	80°	LT43.5°	25°..28°	0	25°..28°	LT43.5°	80°
		→ 13-14							
		← 21-22							
		← 13-14	11°..14°		11°..14°				
⊕	W12 2NC/1NO Slow Action	31-32	80°	LT43.5°	28°..32°	0	28°..32°	LT43.5°	80°
		21-22							
		13-14	38°..42°		3.4 38°..42°				
⊕	W03 3NC Slow Action	31-32	80°	LT43.5°	28°..32°	0	28°..32°	LT43.5°	80°
		21-22							
		11-12							



FTN1R40R: Two ways adjustable roller arm type

FTN	1R	40R	X11	M
Series	Function	Head and actuators	Contact Types	Thread dimension of lead exit
	1R - With Reset Function	40R - Two ways adjustable roller arm type	X11 - 1NC/1NO Slow Action W02 - 2NC Slow Action Z11 - 1NC/1NO Snap Action W12 - 2NC/1NO Slow Action W03 - 3NC Slow Action Slow Action & Snap Action: Type "Zb"	Standard: BLANK - M16 On request: M - M20 N - 1/2NPT G1 - PG11 G3 - PG13.5 C - Connector

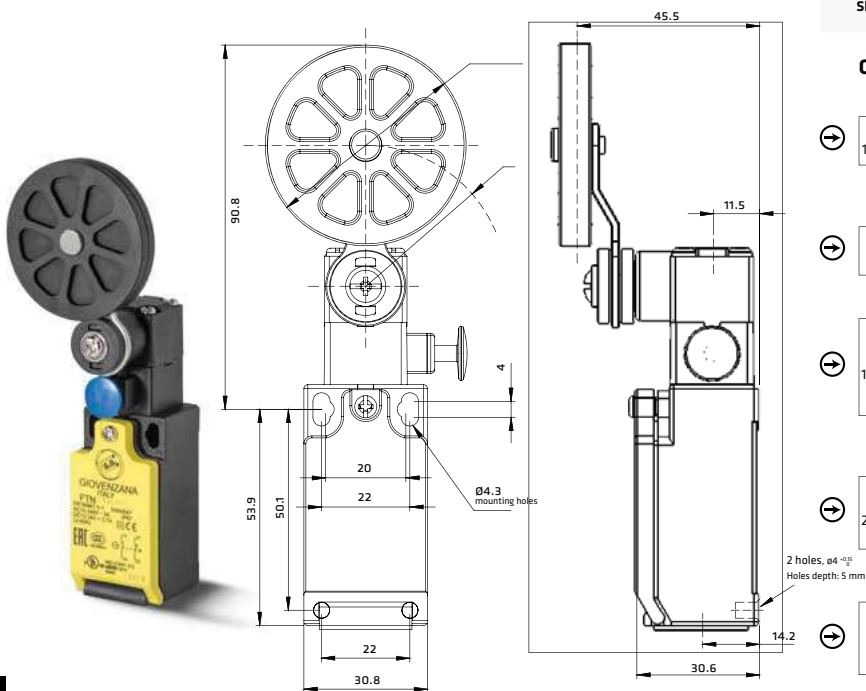


OPERATION DIAGRAMS

⊖	X11 1NC/1NO Slow Action	21-22	80°	LT43.5°	28°.32°	0	28°.32°	LT43.5°	80°
		13-14	38°.42°		38°.42°				
⊖	W02 2NC Slow Action	21-22	80°	LT43.5°	28°.32°	0	28°.32°	LT43.5°	80°
		11-12							
⊖	Z11 1NC/1NO Snap Action	→ 21-22	80°	LT43.5°	25°.28°	0	25°.28°	LT43.5°	80°
		→ 13-14							
		← 21-22							
		← 13-14	11°.14°		11°.14°				
⊖	W12 2NC/1NO Slow Action	31-32	80°	LT43.5°	28°.32°	0	28°.32°	LT43.5°	80°
		21-22							
		13-14	38°.42°		3.4	38°.42°			
⊖	W03 3NC Slow Action	31-32	80°	LT43.5°	28°.32°	0	28°.32°	LT43.5°	80°
		21-22							
		11-12							

FTN1R41: Big roller arm type

FTN	1R	41	X11	M
Series	Function	Head and actuators	Contact Types	Thread dimension of lead exit
	1R - With Reset Function	41 - Big roller arm type	X11 - 1NC/1NO Slow Action W02 - 2NC Slow Action Z11 - 1NC/1NO Snap Action W12 - 2NC/1NO Slow Action W03 - 3NC Slow Action Slow Action & Snap Action: Type "Zb"	Standard: BLANK - M16 On request: M - M20 N - 1/2NPT G1 - PG11 G3 - PG13.5 C - Connector



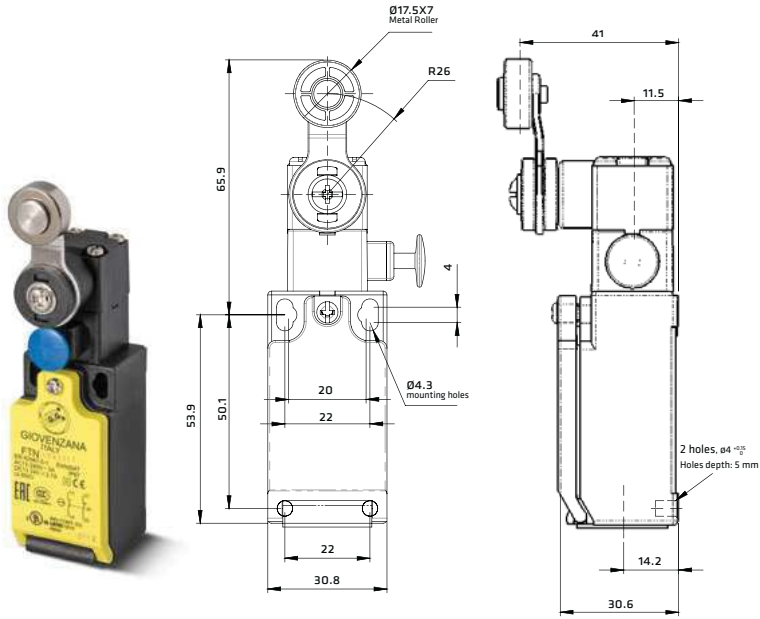
OPERATION DIAGRAMS

⊖	X11 1NC/1NO Slow Action	21-22	80°	LT43.5°	28°.32°	0	28°.32°	LT43.5°	80°
		13-14	38°.42°		38°.42°				
⊖	W02 2NC Slow Action	21-22	80°	LT43.5°	28°.32°	0	28°.32°	LT43.5°	80°
		11-12							
⊖	Z11 1NC/1NO Snap Action	→ 21-22	80°	LT43.5°	25°.28°	0	25°.28°	LT43.5°	80°
		→ 13-14							
		← 21-22							
		← 13-14	11°.14°		11°.14°				
⊖	W12 2NC/1NO Slow Action	31-32	80°	LT43.5°	28°.32°	0	28°.32°	LT43.5°	80°
		21-22							
		13-14	38°.42°		3.4	38°.42°			
⊖	W03 3NC Slow Action	31-32	80°	LT43.5°	28°.32°	0	28°.32°	LT43.5°	80°
		21-22							
		11-12							



FTN1R43: Mental roller arm type

FTN	1R	43	X11	M
Series	Function	Head and actuators	Contact Types	Thread dimension of lead exit
	1R - With Reset Function	43 - Mental roller arm type	X11 - 1NC/1NO Slow Action W02 - 2NC Slow Action Z11 - 1NC/1NO Snap Action W12 - 2NC/1NO Slow Action W03 - 3NC Slow Action Slow Action & Snap Action: Type "Zb"	Standard: BLANK - M16 On request: M - M20 N - 1/2NPT G1 - PG11 G3 - PG13.5 C - Connector

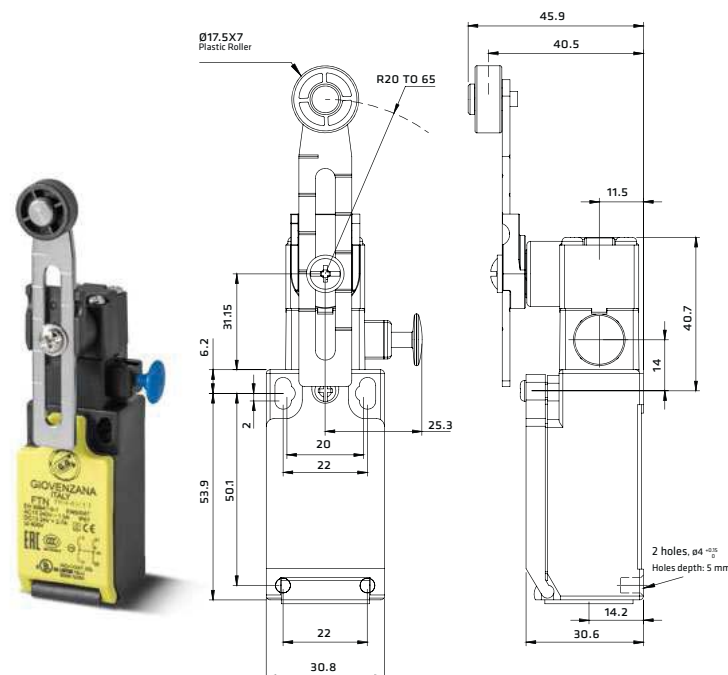


OPERATION DIAGRAMS

		80°	LT43.5°	28°.32°	0	28°.32°	LT43.5°	80°
⊕	X11 1NC/1NO Slow Action	21-22	[Yellow]			[Yellow]		
		13-14	[Yellow]			[Yellow]		
			38°.42°			38°.42°		
⊕	W02 2NC Slow Action	21-22	[Yellow]			[Yellow]		
		11-12	[Yellow]			[Yellow]		
⊕	Z11 1NC/1NO Snap Action	→ 21-22	[Yellow]			[Yellow]		
		→ 13-14	[Yellow]			[Yellow]		
		← 21-22	[Yellow]			[Yellow]		
		← 13-14	[Yellow]			[Yellow]		
			11°.14°			11°.14°		
⊕	W12 2NC/1NO Slow Action	31-32	[Yellow]			[Yellow]		
		21-22	[Yellow]			[Yellow]		
		13-14	[Yellow]			[Yellow]		
			38°.42°			3.4 38°.42°		
⊕	W03 3NC Slow Action	31-32	[Yellow]			[Yellow]		
		21-22	[Yellow]			[Yellow]		
		11-12	[Yellow]			[Yellow]		

FTN1R44: Adjustable roller arm type (Standard Arm)










FTN	1R	44	X11	M
Series	Function	Head and actuators	Contact Types	Thread dimension of lead exit
	1R - With Reset Function	44 - Adjustable roller arm type (Standard Arm)	X11 - 1NC/1NO Slow Action W02 - 2NC Slow Action Z11 - 1NC/1NO Snap Action W12 - 2NC/1NO Slow Action W03 - 3NC Slow Action Slow Action & Snap Action: Type "Zb"	Standard: BLANK - M16 On request: M - M20 N - 1/2NPT G1 - PG11 G3 - PG13.5 C - Connector






OPERATION DIAGRAMS

		80°	LT43.5°	28°.32°	0	28°.32°	LT43.5°	80°
⊕	X11 1NC/1NO Slow Action	21-22	[Yellow]			[Yellow]		
		13-14	[Yellow]			[Yellow]		
			38°.42°			38°.42°		
⊕	W02 2NC Slow Action	21-22	[Yellow]			[Yellow]		
		11-12	[Yellow]			[Yellow]		
⊕	Z11 1NC/1NO Snap Action	→ 21-22	[Yellow]			[Yellow]		
		→ 13-14	[Yellow]			[Yellow]		
		← 21-22	[Yellow]			[Yellow]		
		← 13-14	[Yellow]			[Yellow]		
			11°.14°			11°.14°		
⊕	W12 2NC/1NO Slow Action	31-32	[Yellow]			[Yellow]		
		21-22	[Yellow]			[Yellow]		
		13-14	[Yellow]			[Yellow]		
			38°.42°			3.4 38°.42°		
⊕	W03 3NC Slow Action	31-32	[Yellow]			[Yellow]		
		21-22	[Yellow]			[Yellow]		
		11-12	[Yellow]			[Yellow]		

OPERATING FORCE FTN1R SERIES

TYPE	CONTACT BLOCK		OPERATING TRAVEL		OPERATING FORCE	POSITIVE OPENING		TOTAL TRAVEL
			PT	PT2nd	OF	Travel	Force	
	X11	1 NC/1 NO Slow Action	2.2 mm	3.0 mm	7.26 N	3.2 mm	19.0 N	6.0 mm
	W02	2 NC Slow Action	2.2 mm	-	7.42 N			
	Z11	1 NC/1 NO Snap Action	1.9 mm	-	6.71 N			
	W12	2 NC/1 NO Slow Action	2.2 mm	3.0 mm	7.26 N			
	W03	3 NC Slow Action	2.2 mm	-	7.42 N			
	X11	1 NC/1 NO Slow Action	3.0 mm	4.5 mm	5.21 N	5.7 mm	19.0 N	5.2 mm
	W02	2 NC Slow Action	3.0 mm	-	5.26 N			
	Z11	1 NC/1 NO Snap Action	2.9 mm	-	4.74 N			
	W12	2 NC/1 NO Slow Action	3.0 mm	4.5 mm	5.21 N			
	W03	3 NC Slow Action	3.0 mm	-	5.26 N			
	X11	1 NC/1 NO Slow Action	4.0 mm	6.0 mm	6.37 N	4.6 mm	19.0 N	9.8 mm
	W02	2 NC Slow Action	4.0 mm	-	6.98 N			
	Z11	1 NC/1 NO Snap Action	3.6 mm	-	5.76 N			
	W12	2 NC/1 NO Slow Action	4.0 mm	6.0 mm	6.37 N			
	W03	3 NC Slow Action	4.0 mm	-	6.98 N			
	X11	1 NC/1 NO Slow Action	2.2 mm	3.0 mm	7.26 N	3.2 mm	19.0 N	6.0 mm
	W02	2 NC Slow Action	2.2 mm	-	7.42 N			
	Z11	1 NC/1 NO Snap Action	1.9 mm	-	6.71 N			
	W12	2 NC/1 NO Slow Action	2.2 mm	3.0 mm	7.26 N			
	W03	3 NC Slow Action	2.2 mm	-	7.42 N			
	X11	1 NC/1 NO Slow Action	30°	41°	1.8 N	45°	19.0 N	80°
	W02	2 NC Slow Action	30°	-	1.8 N			
	Z11	1 NC/1 NO Snap Action	28°	-	1.9 N			
	W12	2 NC/1 NO Slow Action	30°	41°	1.8 N			
	W03	3 NC Slow Action	30°	-	1.8 N			
	X11	1 NC/1 NO Slow Action	30°	41°	6.5 N	45°	19.0 N	80°
	W02	2 NC Slow Action	30°	-	6.5 N			
	Z11	1 NC/1 NO Snap Action	28°	-	5.3 N			
	W12	2 NC/1 NO Slow Action	30°	41°	6.5 N			
	W03	3 NC Slow Action	30°	-	6.5 N			
	X11	1 NC/1 NO Slow Action	30°	41°	1.8 N	45°	19.0 N	80°
	W02	2 NC Slow Action	30°	-	1.8 N			
	Z11	1 NC/1 NO Snap Action	28°	-	1.9 N			
	W12	2 NC/1 NO Slow Action	30°	41°	1.8 N			
	W03	3 NC Slow Action	30°	-	1.8 N			
	X11	1 NC/1 NO Slow Action	30°	41°	5.2 N	45°	19.0 N	80°
	W02	2 NC Slow Action	30°	-	5.2 N			
	Z11	1 NC/1 NO Snap Action	28°	-	4.5 N			
	W12	2 NC/1 NO Slow Action	30°	41°	5.2 N			
	W03	3 NC Slow Action	30°	-	5.2 N			
	X11	1 NC/1 NO Slow Action	30°	41°	6.5 N	45°	19.0 N	80°
	W02	2 NC Slow Action	30°	-	6.5 N			
	Z11	1 NC/1 NO Snap Action	35°	-	5.3 N			
	W12	2 NC/1 NO Slow Action	30°	41°	6.5 N			
	W03	3 NC Slow Action	30°	-	6.5 N			

OPERATING FORCE FTN1R SERIES

TYPE	CONTACT BLOCK		OPERATING TRAVEL		OPERATING FORCE	POSITIVE OPENING		TOTAL TRAVEL
			PT	PT2nd	OF	Travel	Force	
 FTN1R41	X11	1 NC/1 NO Slow Action	30°	41°	6.5 N	45°	19.0 N	80°
	W02	2 NC Slow Action	30°	-	6.5 N			
	Z11	1 NC/1 NO Snap Action	35°	-	5.3 N			
	W12	2 NC/1 NO Slow Action	30°	41°	6.5 N			
	W03	3 NC Slow Action	30°	-	6.5 N			
 FTN1R43	X11	1 NC/1 NO Slow Action	30°	41°	6.5 N	45°	19.0 N	80°
	W02	2 NC Slow Action	30°	-	6.5 N			
	Z11	1 NC/1 NO Snap Action	35°	-	5.3 N			
	W12	2 NC/1 NO Slow Action	30°	41°	6.5 N			
	W03	3 NC Slow Action	30°	-	6.5 N			
 FTN1R44	X11	1 NC/1 NO Slow Action	30°	41°	6.5 N	45°	19.0 N	80°
	W02	2 NC Slow Action	30°	-	6.5 N			
	Z11	1 NC/1 NO Snap Action	28°	-	5.3 N			
	W12	2 NC/1 NO Slow Action	30°	41°	6.5 N			
	W03	3 NC Slow Action	30°	-	6.5 N			



GIOVENZANA

INTERNATIONAL B.V.



40 MM THERMOPLASTIC LIMIT SWITCHES
FTNG SERIES



C FTNG SERIES 40 MM THERMOPLASTIC LIMIT SWITCHES



DESCRIPTION

The **FTNG series** 40 mm thermoplastic limit switches, conform to EN 50047, have been developed to provide a range of options including a various choice of snap acting and slow acting and a wide range of actuator heads.

The **FTNG series** offers the option of rotating the head in 90° increments before installation to allow ease of mounting.

The dimensions of this line comply with the indications of EN 50041.

Giovenzana limit switches can be used in various applications in automation, lift and handling system fields.

The **FTNG series** is particularly suitable for heavy applications, thanks to its solidity and reliability.

Operations of these limit switches is achieved by the sliding action of the guard or other moving objects should not pass completely over the switch and allow the plunger or lever to return to its original position.

TECHNICAL DATA - HOUSING

Made of glass- reinforced polymer, self-extinguishing, shock-proof thermoplastic resin and with double insulation	☐
FTNG Series one threaded conduit entry	Standard: M20
Protection degree	IP67 according to EN60529 with cable gland having equal or higher protection degree

GENERAL DATA

Positive opening operation	NC contact →
Utilization category	AC15, A600, B600, A300 (for contact block type)
Minimum admissible current	5V, 5mA, DC
Insulation resistance	100MΩ min (DC 500V)
Contact resistance	25mΩ max (Initial)
Max switching speed	250 mm/s
Max switching frequency	6000 operation per hour
Enclosure material	UL approved glass-filled polybutylene terephthalate
Roller Material	Metal, PA, rubber
Operating temperature	Min -25°C (-18°F) / Max 80°C (+176°F)
Mechanical life expectancy	1x10 ⁷ cycles min
Electrically life expectancy	150.000 cycles min
Vibration resistance	IEC 68-2-6, 10-55Hz ± 1Hz, Excursion: 0.35mm, 1 octave/min
Conduit entry	Various
Fixing	2xM4

ELECTRICAL DATA

Rated thermal current (Ith)	10A
Rated insulation voltage (Ui)	600V AC
Rated impulse withstand voltage (Uimp)	2500V AC
Pollution degree	3
Protection against electric shock	Class II (Double insulation)


STANDARDS & APPROVALS

Standards	EN60947-5-1, EN50047, EN1088
Approvals	cULus, EAC and CCC for all applicable directives

QUALITY MARKS




MAIN FEATURES

- Conforms to EN (TUV) standards corresponding to the CE marking.
-  Positive opening operation of NC (Normally Closed) contacts conforming to IEC/EN 60947-5-1.
- Double insulation makes ground terminal unnecessary.
- Wide standard operating temperature range: -25°C to 80°C.
- Full range of actuator heads and levers suitable for safety applications.
- Sealing up to IP67.
- Wide switch variations (Snap action and slow action basic switches).

ACCORDING TO STANDARDS

EN81.20 Safety contacts according to EN60947-5-1.
EN81.50 Protection degree higher than IP4x. Mechanical endurance higher than 1x10⁶ cycles.

INSTALLATION FOR SAFETY APPLICATIONS

Use only switches marked with the symbol . Always connect the safety circuit to the **NC contact** (normally closed contacts: 11-12 / 21-22 / 31-32) as required by **EN ISO 14119 paragraph 5.4** and as stated in the standard **EN81.20 paragraph 5.11.2.2.1**.



TAKE CARE!

If not expressly indicated in this chapter, for the correct installation and utilization of all articles see the instructions given on pages 92-93.

DATA TYPE APPROVED BY UL

Utilization categories:

FTNG SERIES	Q300	A600	1 NC/1 NO Slow Action 2 NC Slow Action
		B600	1 NC/1 NO Snap Action
		A300	2 NC/1 NO Slow Action (3 poles) 3 NC Slow Action (3 poles)

Data of the housing type 1.

For all contact blocks use 60 or 75°C copper (Cu) conductor and wire size No. 14 - 18 AWG.

Terminal tightening torque of 7.1 lb in (0.8 Nm).

In conformity with standard: UL508, CSA 22.2 No. 14 - 10.



Please contact our technical service for the list of approved products.

PROTECTION CLASS

IP67


Designed to be used even in the most severe environmental situations, these devices pass the immersion test IP67 in conformity with EN 60529.

DOUBLE INSULATION



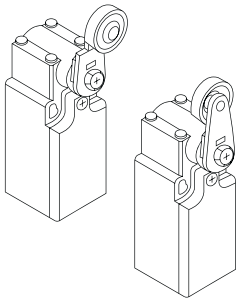
Materials of group II, according to IEC 536, are made with double insulation. This consists of doubling the insulation capability by means of an additional divider in order to eliminate any electrical shock risk and avoid the need for any additional protections.

POSITIVE OPENING

-  A limit switch complies to the specification when all the normally closed contact elements of the switch can be changed, with certainty, to the open position (no flexible link between the moving contacts and the operator of the switch, to which an actuating force is applied). Positive opening doesn't apply to NO contacts. Control switches with positive opening operation can be equipped with either slow-break or snap action contacts. In order to use different contacts on the same switch, it is necessary to electrically separate them; otherwise only one contact can be used. Every positive opening control switch must be marked on the external housing with the symbol on the left.

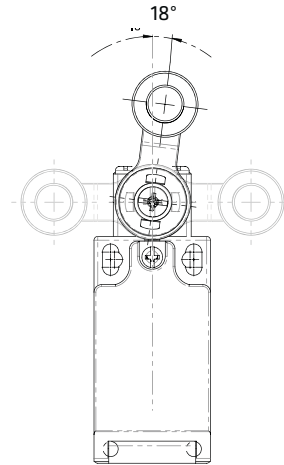


OVERTURNING LEVERS



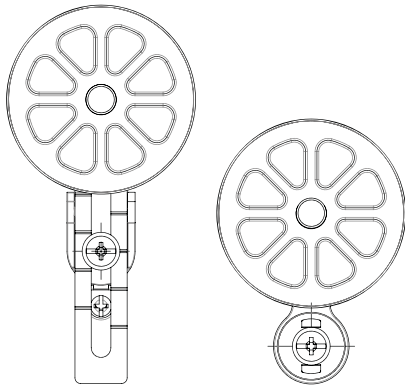
It's possible to fasten the lever on switches on straight or reverse side, maintaining the positive coupling. In this way it is possible to obtain two different work plans of the lever.

ADJUSTABLE LEVERS



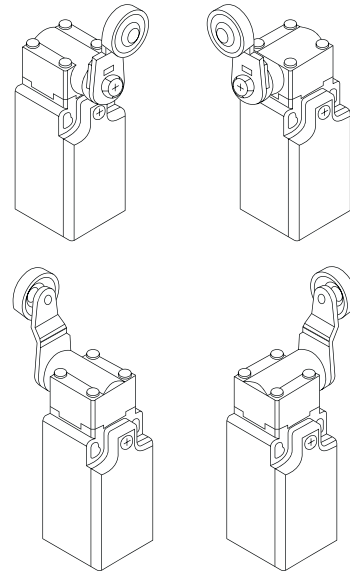
In switches with revolving lever it is possible to adjust the lever with 18° steps for the whole 360° range. The positive movement transmission is always guaranteed thanks to the particular geometrical coupling between the lever and the revolving shaft.

RUBBER ROLLERS



Different actuators with rubber rollers are available. The customer can choose the most suitable product depending on his needs. For example the lift speed in order to reduce the noise inside the cabin.

ROTATING HEADS



In all switches, it is possible to rotate the head in 90° steps.

CONTACT BLOCK FORM

Contact Types	X11	W02	Z11	W12	W03
Contact Form	1NC/1NO Slow Action	2NC Slow Action	1NC/1NO Snap Action	2NC/1NO Slow Action	3NC Slow Action
Electrical Schemes					
Connector pin Arrangement				No Connector type	

M12 Connector pin arrangement - on request



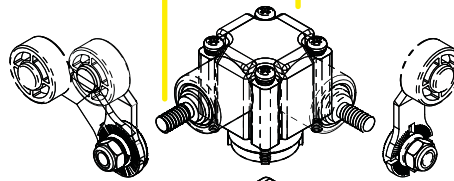
STRUCTURE DESCRIPTION

Metal Lever Setting

Grooves which engage the lever every 18° are cut in the operation indicator disk to prevent the lever from slipping against the rotary shaft.

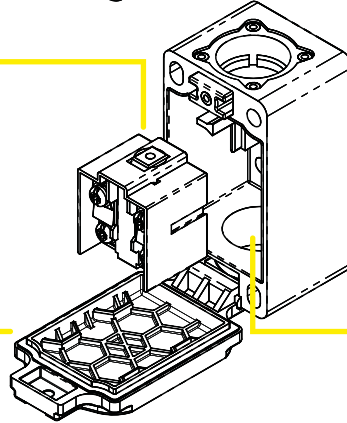
Head

With roller lever models, the direction of the switch head can be adjusted to any of the four directions by loosening the roller lever switch screws at the four corners of the head.



Contact block

Snap Action: 1NC/NO
Slow Action: 1NC/NO, 2NC, 2NC/1NO, 3NC.



Cover

The cover, with a hinge on its lower part, can be opened by removing the screw of the cover, which ensures ease of maintenance and wiring.

Conduit Entry

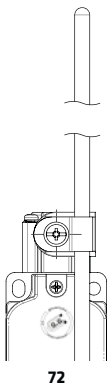
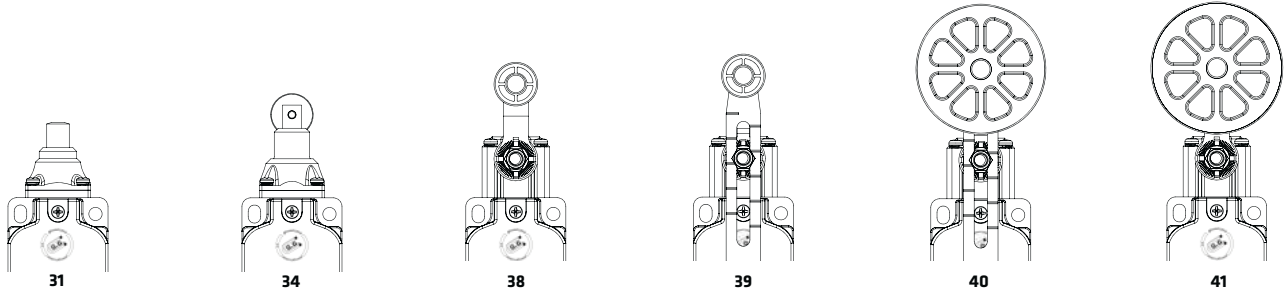
Standard: M20.
On request: 1/2NPT, PG13.5.

PRODUCT SELECTION

FTNG	1	31	X11	M
Series	Function	Head and actuators	Contact Types	Thread dimension of lead exit
1 - Without Reset Function	31 - Plain steel plunger 34 - Steel roller plunger 38 - ø22 Roller lever 39 - Adjustable ø22 roller lever 40 - Adjustable ø50 roller lever 41 - ø50 Rubber roller lever 72 - Adjustable PA rod lever	X11 - 1NC/1NO Slow Action W02 - 2NC Slow Action Z11 - 1NC/1NO Snap Action W12 - 2NC/1NO Slow Action W03 - 3NC Slow Action Slow Action & Snap Action: Type "Zb"	Standard: BLANK - M20 On request: N - 1/2NPT G3 - PG13.5 C - Connector	



SELECTION DIAGRAM



- X11** - 1NC/1NO Slow Action
- W02** - 2NC Slow Action
- Z11** - 1NC/1NO Snap Action
- W12** - 2NC/1NO Slow Action
- W03** - 3NC Slow Action

Threaded conduit entry

- Standard:
BLANK - M20
- On request:
N - 1/2NPT
G3 - PG13.5
C - Connector

Wiring

Customized wirings are available on request, with connectors and cables in accordance with customers' specifications.

ACTUATORS

FTNG SERIES

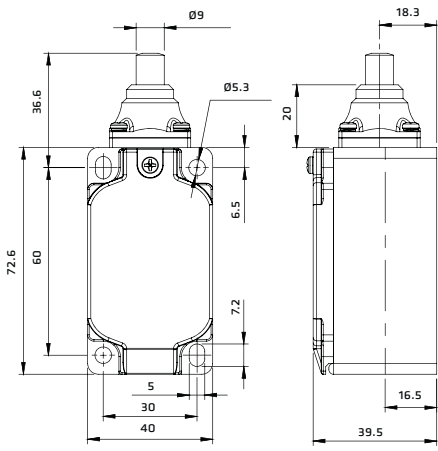
CONTACT BLOCKS

CONDUIT ENTRY

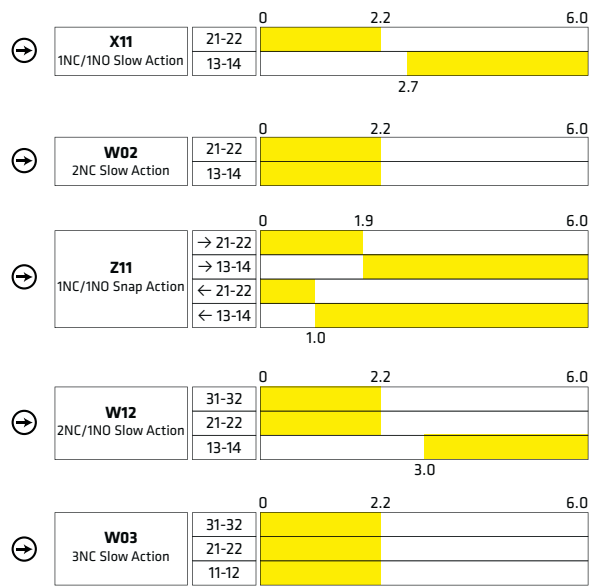


FTNG131: Plain steel plunger

FTNG	1	31	X11	-
Series	Function	Head and actuators	Contact Types	Thread dimension of lead exit
	1 - Without Reset Function	31 - Plain steel plunger	X11 - 1NC/1NO Slow Action W02 - 2NC Slow Action Z11 - 1NC/1NO Snap Action W12 - 2NC/1NO Slow Action W03 - 3NC Slow Action Slow Action & Snap Action: Type "Zb"	Standard: BLANK - M20 On request: N - 1/2NPT G3 - PG13.5 C - Connector

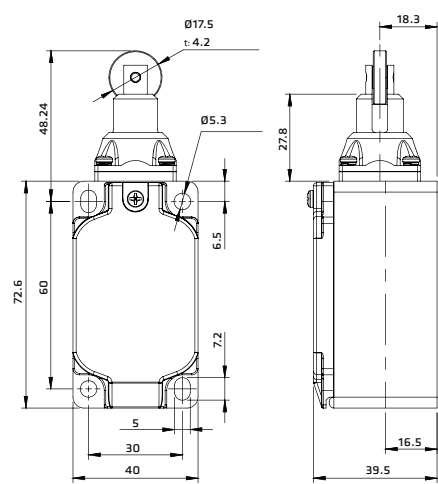


OPERATION DIAGRAMS

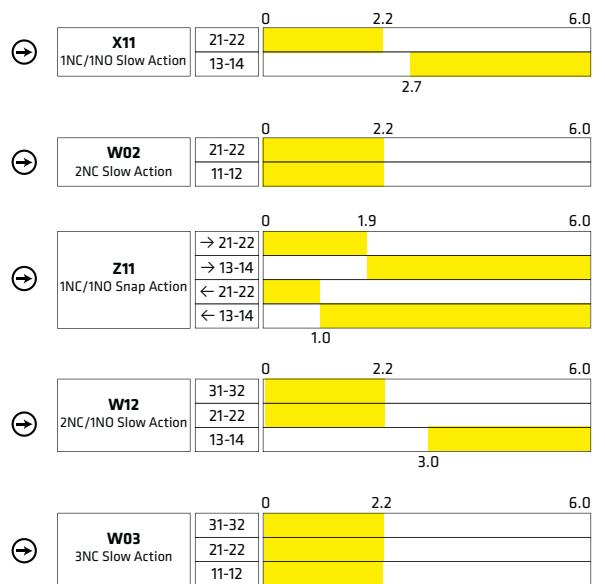


FTNG134: Steel roller plunger

FTNG	1	34	X11	-
Series	Function	Head and actuators	Contact Types	Thread dimension of lead exit
	1 - Without Reset Function	34 - Steel roller plunger	X11 - 1NC/1NO Slow Action W02 - 2NC Slow Action Z11 - 1NC/1NO Snap Action W12 - 2NC/1NO Slow Action W03 - 3NC Slow Action Slow Action & Snap Action: Type "Zb"	Standard: BLANK - M20 On request: N - 1/2NPT G3 - PG13.5 C - Connector



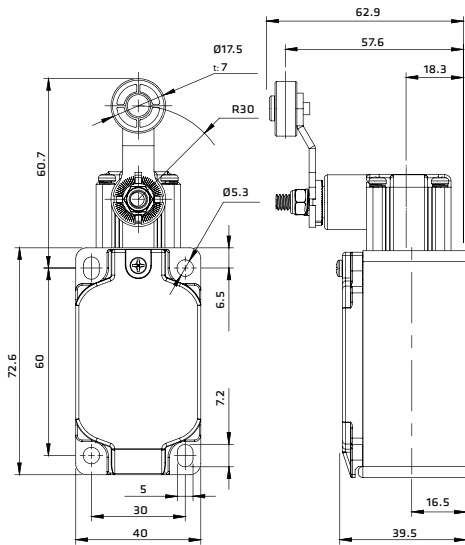
OPERATION DIAGRAMS



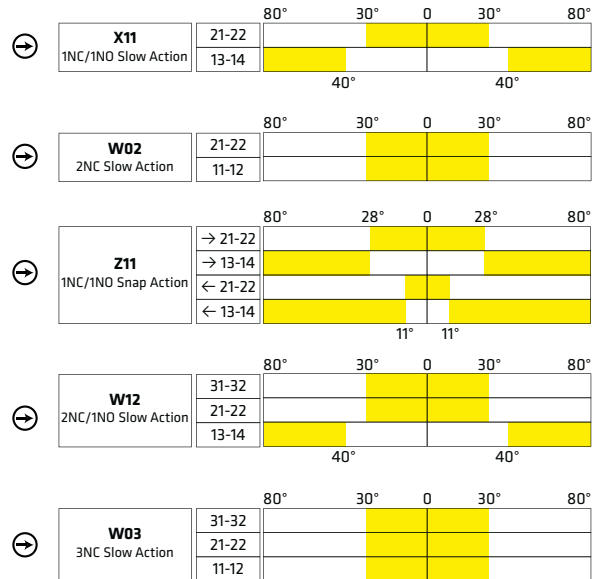


FTNG138: Ø22 Roller lever

FTNG	1	38	X11	-
Series	Function	Head and actuators	Contact Types	Thread dimension of lead exit
	1 - Without Reset Function	38 - Ø22 Roller lever	X11 - 1NC/1NO Slow Action W02 - 2NC Slow Action Z11 - 1NC/1NO Snap Action W12 - 2NC/1NO Slow Action W03 - 3NC Slow Action Slow Action & Snap Action: Type "Zb"	Standard: BLANK - M20 On request: N - 1/2NPT G3 - PG13.5 C - Connector

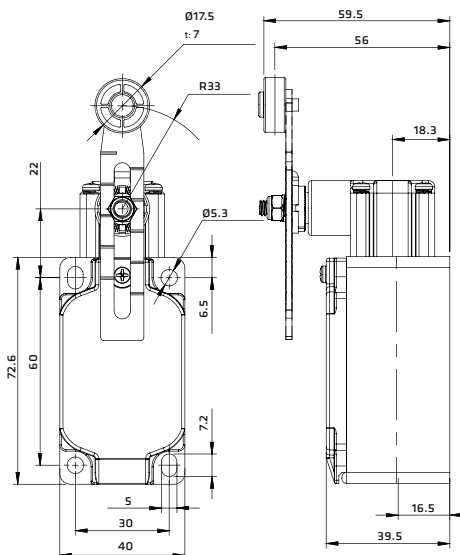


OPERATION DIAGRAMS

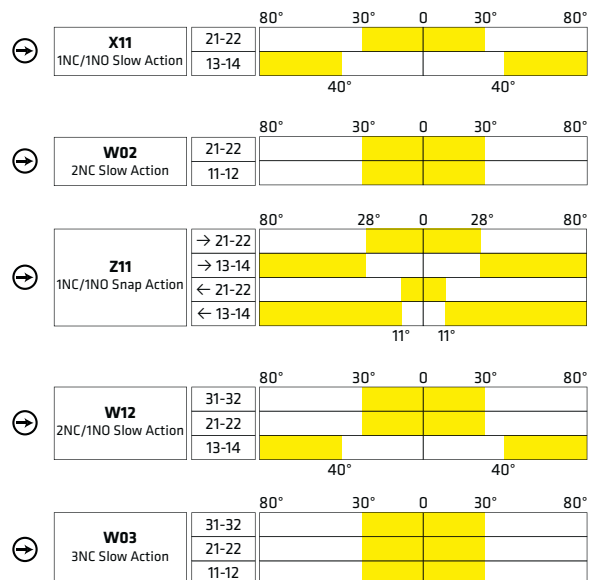


FTNG139: Adjustable Ø22 roller lever

FTNG	1	39	X11	-
Series	Function	Head and actuators	Contact Types	Thread dimension of lead exit
	1 - Without Reset Function	39 - Adjustable Ø22 roller lever	X11 - 1NC/1NO Slow Action W02 - 2NC Slow Action Z11 - 1NC/1NO Snap Action W12 - 2NC/1NO Slow Action W03 - 3NC Slow Action Slow Action & Snap Action: Type "Zb"	Standard: BLANK - M20 On request: N - 1/2NPT G3 - PG13.5 C - Connector

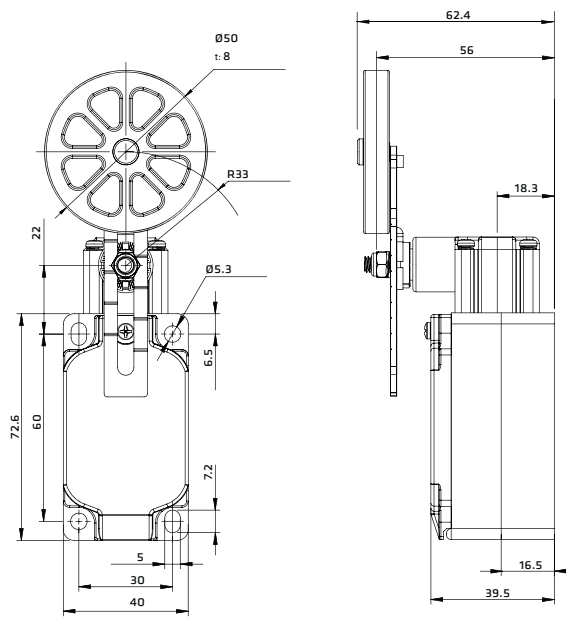


OPERATION DIAGRAMS

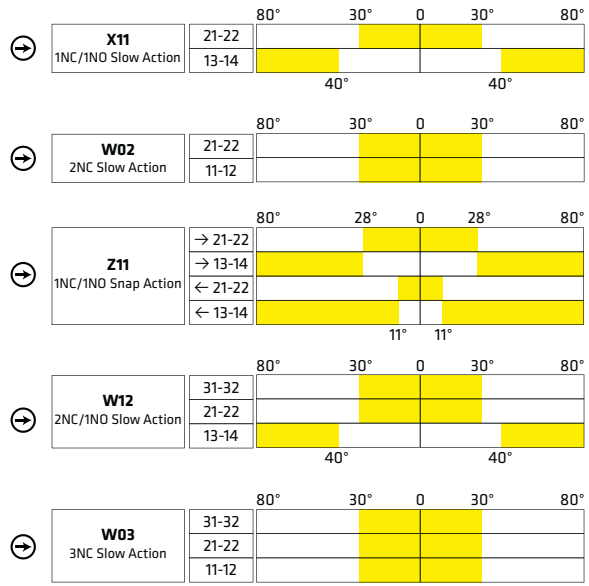


FTNG140: Adjustable Ø50 rubber roller lever

FTNG	1	40	X11	-
Series	Function	Head and actuators	Contact Types	Thread dimension of lead exit
	1 - Without Reset Function	40 - Adjustable Ø50 rubber roller lever	X11 - 1NC/1NO Slow Action W02 - 2NC Slow Action Z11 - 1NC/1NO Snap Action W12 - 2NC/1NO Slow Action W03 - 3NC Slow Action Slow Action & Snap Action: Type "Zb"	Standard: BLANK - M20 On request: N - 1/2NPT G3 - PG13.5 C - Connector

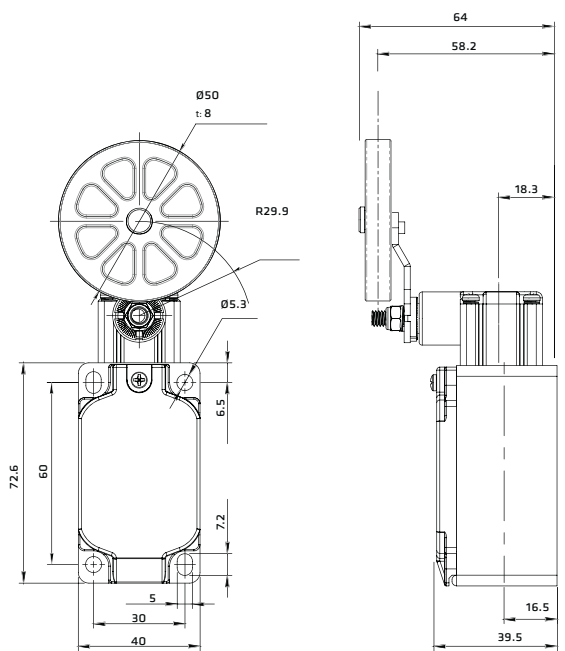


OPERATION DIAGRAMS

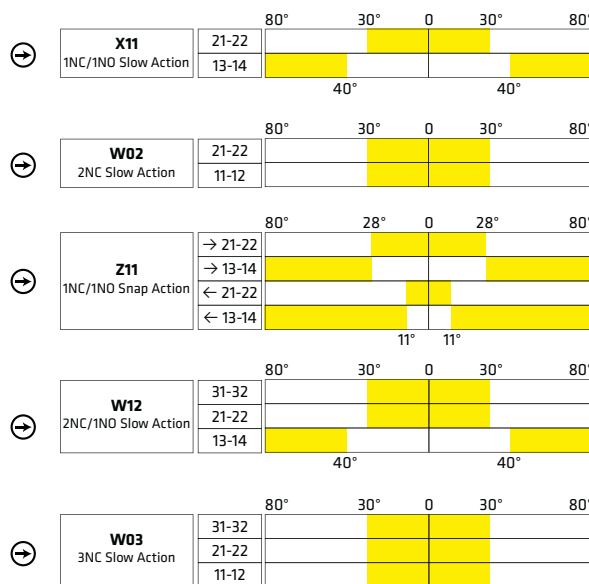


FTNG141: Ø50 Rubber roller lever

FTNG	1	41	X11	-
Series	Function	Head and actuators	Contact Types	Thread dimension of lead exit
	1 - Without Reset Function	41 - Ø50 Rubber roller lever	X11 - 1NC/1NO Slow Action W02 - 2NC Slow Action Z11 - 1NC/1NO Snap Action W12 - 2NC/1NO Slow Action W03 - 3NC Slow Action Slow Action & Snap Action: Type "Zb"	Standard: BLANK - M20 On request: N - 1/2NPT G3 - PG13.5 C - Connector



OPERATION DIAGRAMS

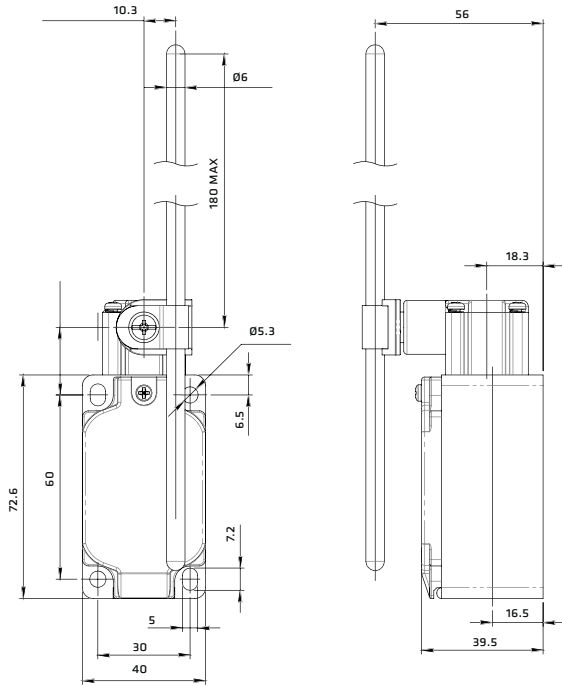




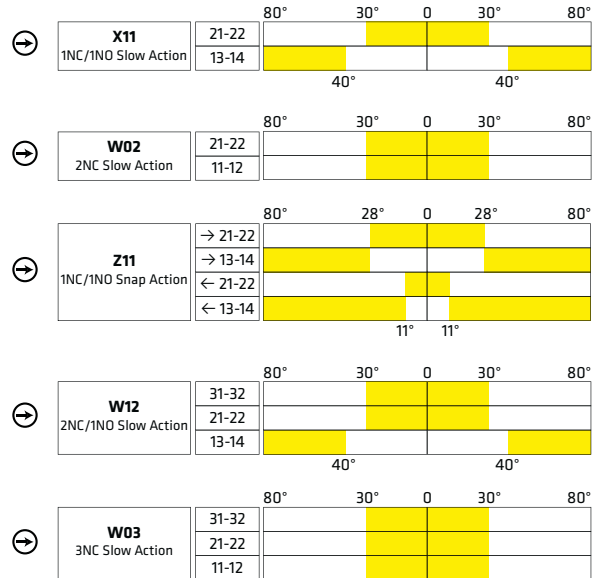
FTNG172: Adjustable PA rod lever

FTNG	1	72	X11	M
Series	Function	Head and actuators	Contact Types	Thread dimension of lead exit
	1 - Without Reset Function	72 - Adjustable PA rod lever	X11 - 1NC/1NO Slow Action W02 - 2NC Slow Action Z11 - 1NC/1NO Snap Action W12 - 2NC/1NO Slow Action W03 - 3NC Slow Action	Standard: BLANK - M20 On request: N - 1/2NPT G3 - PG13.5 C - Connector

Slow Action & Snap Action: Type "Zb"



OPERATION DIAGRAMS



OPERATING FORCE FTNG SERIES



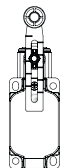
TYPE	CONTACT BLOCK		OPERATING TRAVEL		OPERATING FORCE	POSITIVE OPENING		TOTAL TRAVEL
			PT	PT2nd	OF	Travel	Force	
FTNG131	X11	1 NC/1 NO Slow Action	2.2 mm	3.0 mm	7.26 N	3.2 mm	19.0 N	6.0 mm
	W02	2 NC Slow Action	2.2 mm	-	7.42 N			
	Z11	1 NC/1 NO Snap Action	1.9 mm	-	6.71 N			
	W12	2 NC/1 NO Slow Action	2.2 mm	3.0 mm	7.26 N			
	W03	3 NC Slow Action	2.2 mm	-	7.42 N			



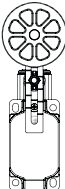
FTNG134	X11	1 NC/1 NO Slow Action	2.2 mm	3.0 mm	7.26 N	3.2 mm	19.0 N	6.0 mm
	W02	2 NC Slow Action	2.2 mm	-	7.42 N			
	Z11	1 NC/1 NO Snap Action	1.9 mm	-	6.71 N			
	W12	2 NC/1 NO Slow Action	2.2 mm	3.0 mm	7.26 N			
	W03	3 NC Slow Action	2.2 mm	-	7.42 N			



FTNG138	X11	1 NC/1 NO Slow Action	30°	41°	6.5 N	45°	19.0 N	80°
	W02	2 NC Slow Action	30°	-	6.5 N			
	Z11	1 NC/1 NO Snap Action	28°	-	5.3 N			
	W12	2 NC/1 NO Slow Action	30°	41°	6.5 N			
	W03	3 NC Slow Action	30°	-	6.5 N			



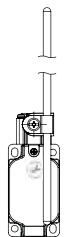
FTNG139	X11	1 NC/1 NO Slow Action	30°	41°	6.5 N	45°	19.0 N	80°
	W02	2 NC Slow Action	30°	-	6.5 N			
	Z11	1 NC/1 NO Snap Action	28°	-	5.3 N			
	W12	2 NC/1 NO Slow Action	30°	41°	6.5 N			
	W03	3 NC Slow Action	30°	-	6.5 N			



FTNG140	X11	1 NC/1 NO Slow Action	30°	41°	5.2 N	45°	19.0 N	80°
	W02	2 NC Slow Action	30°	-	5.2 N			
	Z11	1 NC/1 NO Snap Action	28°	41°	4.5 N			
	W12	2 NC/1 NO Slow Action	30°	-	5.2 N			
	W03	3 NC Slow Action	30°	-	5.2 N			



FTNG141	X11	1 NC/1 NO Slow Action	30°	41°	6.5 N	45°	19.0 N	80°
	W02	2 NC Slow Action	30°	-	6.5 N			
	Z11	1 NC/1 NO Snap Action	35°	-	5.3 N			
	W12	2 NC/1 NO Slow Action	30°	41°	6.5 N			
	W03	3 NC Slow Action	30°	-	6.5 N			



FTNG172	X11	1 NC/1 NO Slow Action	30°	41°	1.8 N	45°	19.0 N	80°
	W02	2 NC Slow Action	30°	-	1.8 N			
	Z11	1 NC/1 NO Snap Action	28°	-	1.9 N			
	W12	2 NC/1 NO Slow Action	30°	41°	1.8 N			
	W03	3 NC Slow Action	30°	-	1.8 N			



GIOVENZANA

INTERNATIONAL B.V.



SAFETY LIMIT SWITCHES WITH KEY
STNK SERIES



D STNK SERIES SAFETY LIMIT SWITCHES WITH KEY



DESCRIPTION

The **STNK series** is a key operated safety interlock switch designed to fit at the leading edge of sliding, hinged or lift-off guards. With its dual entry slots and rotatable head, the versatile STNK series can offer up to eight different actuator entry options. Operation of the switch is achieved through the insertion of a specially profiled stainless steel key that is permanently mounted to the guard door. Available with one NC safety contact or two NC contacts, the STNK series is sealed to IP67 and has various conduit entries. A blanking plug is supplied for the unused key entry.

TECHNICAL DATA - HOUSING

Made of glass- reinforced polymer, self-extinguishing, shock-proof thermoplastic resin and with double insulation	☐
STNK Series one threaded conduit entry	Standard: M16
Protection degree	IP67 according to EN60529 with cable gland having equal or higher protection degree

GENERAL DATA

Positive opening operation	NC contact →
Utilization category	AC15 A600
Insulation resistance	100MΩ min (DC 500V)
Contact resistance	25mΩ max (Initial)
Travel for positive opening	Various
Maximum actuation frequency	2 cycles/sec
Enclosure material	UL approved glass-filled polybutylene terephthalate
Actuator material	Stainless steel
Operating temperature	Min -25°C (-18°F) / Max 80°C (+176°F)
Mechanical life expectancy	1x10 ⁶ cycles min
Electrically life expectancy	150.000 cycles min
Vibration resistance	IEC 68-2-6, 10-55Hz ± 1Hz, Excursion: 0.35mm, 1 octave/min
Conduit entry	Various
Fixing	2xM4

ELECTRICAL DATA

Rated thermal current (Ith)	10A
Rated insulation voltage (Ui)	600V AC
Rated impulse withstand voltage (Uimp)	2500V AC
Pollution degree	3
Protection against electric shock	Class II (Double insulation)


STANDARDS & APPROVALS

Standards	EN60947-5-1, UL508, EN50047, EN1088
Approvals	cULus, EAC and CCC for all applicable directives

QUALITY MARKS



MAIN FEATURES

- Contacts: Slow action 1NC/1NO; 2NC - Snap action 1NC/1NO.
-  Positive opening mechanism.
- Double insulation structure.
- Eight possible actuator entry points, easy to install.
- Right angle, flat and adjustable keys.
- Robust stainless steel keys.
- IP67 enclosure rating.

DATA TYPE APPROVED BY UL

Utilization categories:

STNK SERIES	Q300	A600	1 NC/1 NO Slow Action 2 NC Slow Action
		B600	1 NC/1 NO Snap Action
A300	2 NC/1 NO Slow Action (3 poles) 3 NC Slow Action (3 poles)		

Data of the housing type 1.

For all contact blocks use 60 or 75°C copper (Cu) conductor and wire size No. 14 - 18 AWG.

Terminal tightening torque of 7.1 lb in (0.8 Nm).

In conformity with standard: UL508, CSA 22.2 No. 14 - 10.



Please contact our technical service for the list of approved products.

PROTECTION CLASS

IP67

These series switches are all IP67 rated.

DOUBLE INSULATION



Materials of group II, according to IEC 536, are made with double insulation. This consists of doubling the insulation capability by means of an additional divider in order to eliminate any electrical shock risk and avoid the need for any additional protections.

POSITIVE OPENING



A limit switch complies to the specification when all the normally closed contact elements of the switch can be changed, with certainty, to the open position (no flexible link between the moving contacts and the operator of the switch, to which an actuating force is applied). Positive opening doesn't apply to NO contacts. Control switches with positive opening operation can be equipped with either slow-break or snap action contacts. In order to use different contacts on the same switch, it is necessary to electrically separate them; otherwise only one contact can be used. Every positive opening control switch must be marked on the external housing with the symbol on the left.



STRUCTURE DESCRIPTION

Head
The head can be mounted in four directions. The operation key can be inserted in five directions including the downward direction.

Operation key
The dedicated key prevents operational mistakes and forcibly separates the contacts.

Cover
The cover, with a hinge on its lower part, can be opened by removing the screw of the cover, which ensures ease of maintenance and wiring.

Protection Degree
The plunger has an O-ring. The switch casing ensures IP67 (except the keyhole, with ensures IP00). Use STNK series in places where the keyhole is free from oil and metal chips.

Contact block
Has a positive opening mechanism which forcibly separates the NC contacts even if they are welded. The built-in switch incorporates a pair each of NC contacts and NO contacts or two pairs of NC contacts.

Conduit Entry
Standard: M16.
On request: M20, 1/2NPT, PG11, PG13.5.

PRODUCT SELECTION

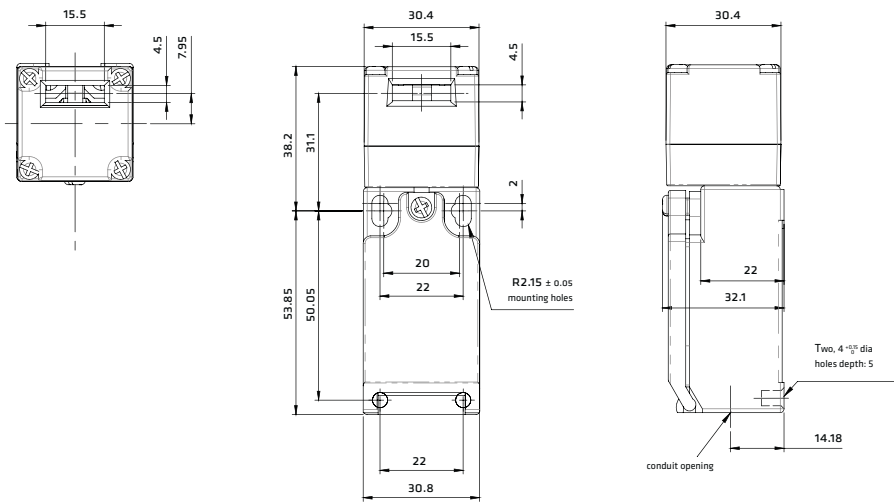
STNK	01	X11	M
Series	Operation Key Types	Contact Types	Thread dimension of lead exit
	01 - Right angle key 02 - Flat key 03 - Adjustable key	X11 - 1NC/1NO Slow Action W02 - 2NC Slow Action Z11 - 1NC/1NO Snap Action W12 - 2NC/1NO Slow Action W03 - 3NC Slow Action Slow Action & Snap Action: Type "Zb"	Standard: BLANK - M16 On request: M - M20 N - 1/2NPT G1 - PG11 G3 - PG13.5 C - Connector

CONTACT BLOCK FORM

Contact Types	X11	W02	Z11	W12	W03
Contact Form	1NC/1NO Slow Action	2NC Slow Action	1NC/1NO Snap Action	2NC/1NO Slow Action	3NC Slow Action
Electrical Schemes					
Connector pin Arrangement				No Connector type	

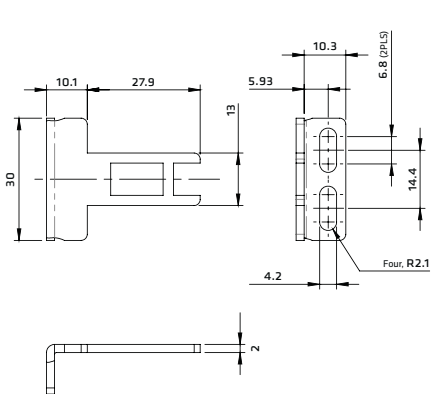
M12 Connector pin arrangement - on request

DIMENSIONS

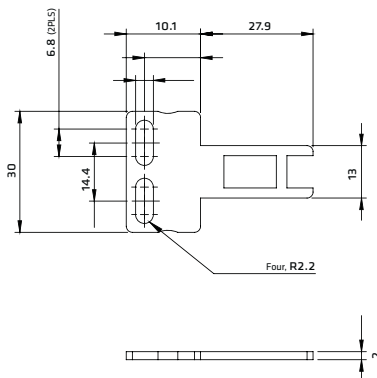


OPERATION KEYS

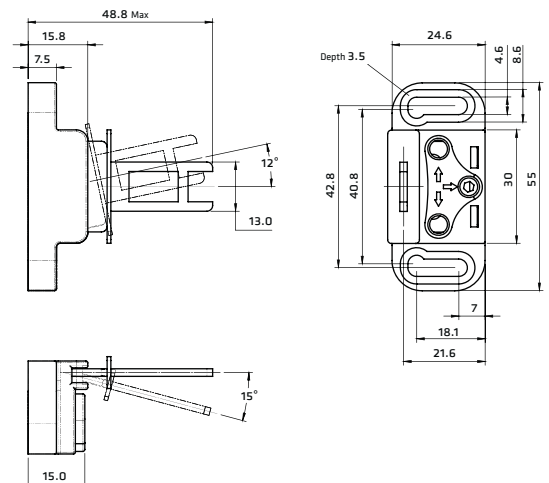
01: RIGHT ANGLE KEY



02: FLAT KEY



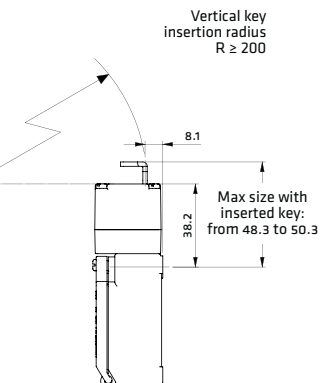
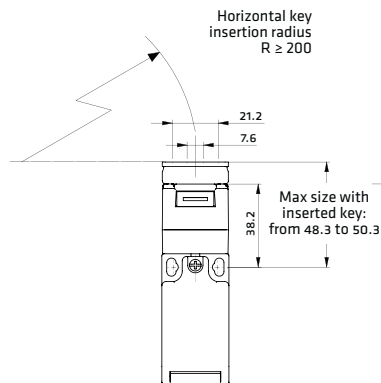
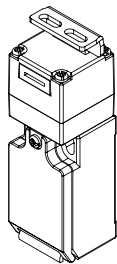
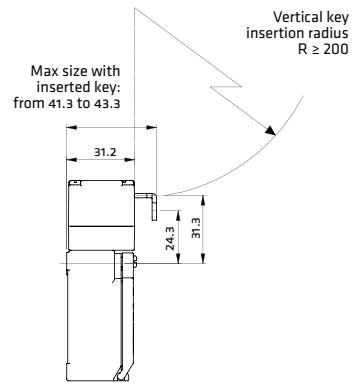
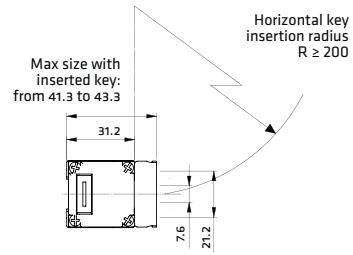
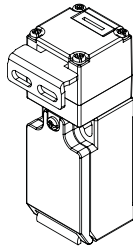
03: ADJUSTABLE





STNK01: SAFETY LIMIT SWITCH WITH RIGHT ANGLE KEY

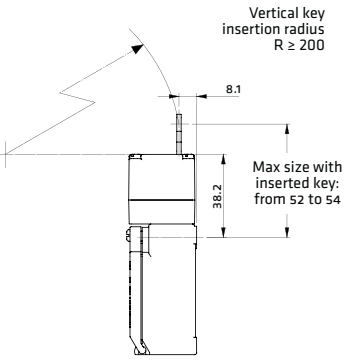
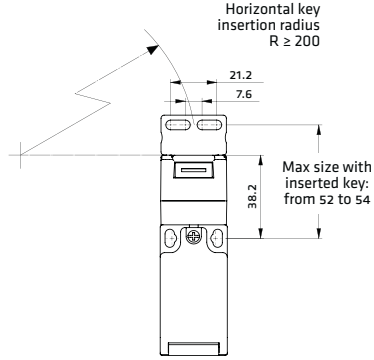
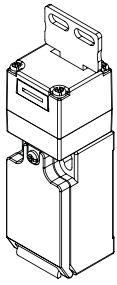
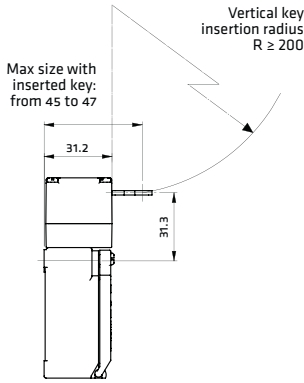
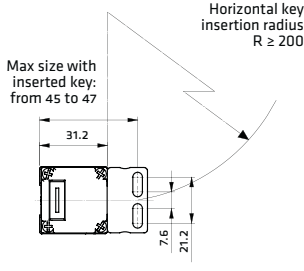
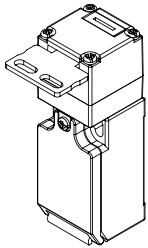
STNK	01	X11	M
Series	Operation Key Types	Contact Types	Thread dimension of lead exit
	01 - Right angle key	X11 - 1NC/1NO Slow Action W02 - 2NC Slow Action Z11 - 1NC/1NO Snap Action W12 - 2NC/1NO Slow Action W03 - 3NC Slow Action Slow Action & Snap Action: Type "Zb"	Standard: BLANK - M16 On request: M - M20 N - 1/2NPT G1 - PG11 G3 - PG13.5 C - Connector





STNK02: SAFETY LIMIT SWITCH WITH FLAT KEY

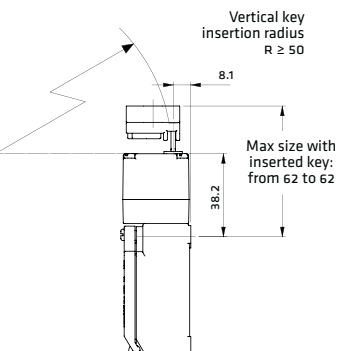
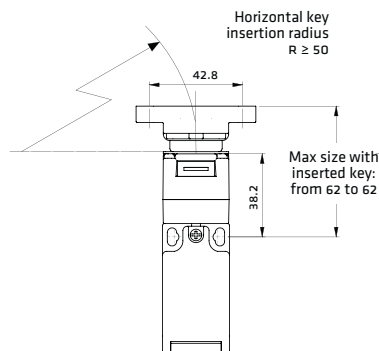
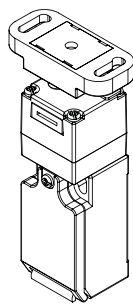
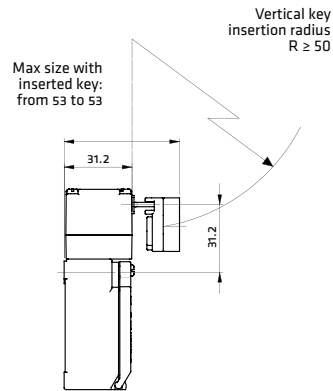
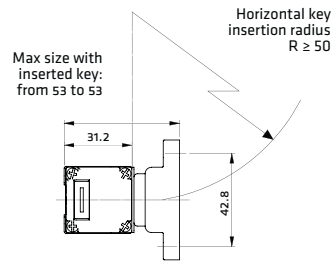
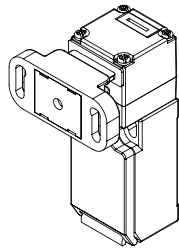
STNK	02	X11	M
Series	Operation Key Types	Contact Types	Thread dimension of lead exit
	02 - Flat key	X11 - 1NC/1NO Slow Action W02 - 2NC Slow Action Z11 - 1NC/1NO Snap Action W12 - 2NC/1NO Slow Action W03 - 3NC Slow Action Slow Action & Snap Action: Type "Zb"	Standard: BLANK - M16 On request: M - M20 N - 1/2NPT G1 - PG11 G3 - PG13.5 C - Connector





STNK03: SAFETY LIMIT SWITCH WITH ADJUSTABLE KEY

STNK	03	X11	M
Series	Operation Key Types	Contact Types	Thread dimension of lead exit
	03 - Adjustable key	X11 - 1NC/1NO Slow Action W02 - 2NC Slow Action Z11 - 1NC/1NO Snap Action W12 - 2NC/1NO Slow Action W03 - 3NC Slow Action Slow Action & Snap Action: Type "Zb"	Standard: BLANK - M16 On request: M - M20 N - 1/2NPT G1 - PG11 G3 - PG13.5 C - Connector





GIOVENZANA

INTERNATIONAL B.V.



M12 CONNECTION & PRE-WIRED LIMIT SWITCHES
FCT SERIES



E FCT SERIES M12 CONNECTION & PRE-WIRED THERMOPLASTIC LIMIT SWITCHES

DESCRIPTION

Giovenzana offers two lines of pre-wired switches:

FCT series: prewired thermoplastic switches with IP67 protection rating with 2 mt cable. They are available in two different versions:

- with side cable entry;
- with vertical cable entry.

(The standard cable length is 2 mt but on request are available different sizes).

FCTM series: thermoplastic pre-wired switches with IP67 protection rating with M12 connector.



TECHNICAL DATA - HOUSING

Made of glass fibre reinforced technopolymer, self-extinguishing, shock-proof and with double insulation	☐
FCT Series	Version with integrated cable, standard length 2 mt. Other lengths available on request.
FCTM Series	Version with integrated M12 connector.

GENERAL DATA

Utilization category	AC15 (Ue=240V, Ie=1.5A) - DC13 (Ue=240V, Ie=0,27A)
Insulation resistance	100MΩ min (DC 500V)
Conduit resistance	25mΩ max (Initial)
Operating temperature	Min -25°C (-18°F) / Max 70°C (+158°F)
Mechanical life expectancy	1x10 ⁷ cycles min
Electrically life expectancy	150.000 cycles min
Vibration resistance	IEC 68-2-6, 10-55Hz ± 1Hz, Excursion: 0.35mm, 1 octave/min

ELECTRICAL DATA

Rated thermal current (Ith)	Pre-cabled switches: 10A - Switches with M12, 4 pin connector: 4A
Rated insulation voltage (Ui)	500V AC
Rated impulse withstand voltage (Uimp)	4KV
Pollution degree	3
Protection against electric shock	Class II (Double insulation)

STANDARDS & APPROVALS

Standards	IEC/EN60947-5-1
Approvals	cULus, EAC and CCC for all applicable directives

QUALITY MARKS



PROTECTION CLASS

IP67

Designed to be used even in the most severe environmental situations, these devices pass the immersion test IP67 in conformity with EN 60529.

DATA TYPE APPROVED BY UL

Utilization categories:

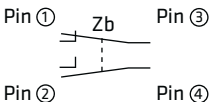
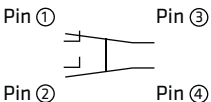
FCT SERIES	A300	Q300	
			1 NC/1 NO Slow Action
			1 NC/1 NO Snap Action

In conformity with standards: UL508, CSA 22.2 No. 14 - 13.

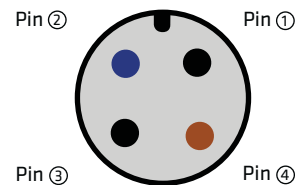
Please contact our technical service for the list of approved products.



INTERNAL CABLE WIRING

Contact Types	X11	Z11
Contact Form	1NC/1NO Slow Action	1NC/1NO Snap Action
Electrical Schemes		

CONNECTOR PIN ASSIGNMENT



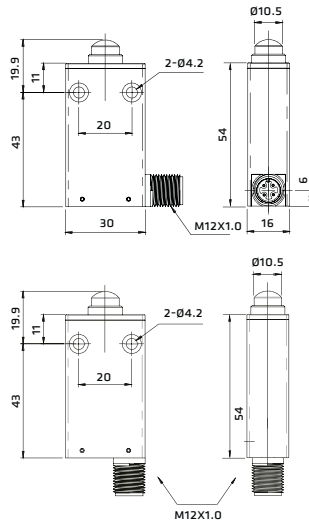
CONTACT No.	CABLE COLOR
Pin 1	Black
Pin 2	Blue
Pin 3	Black
Pin 4	Brown

PRODUCT SELECTION

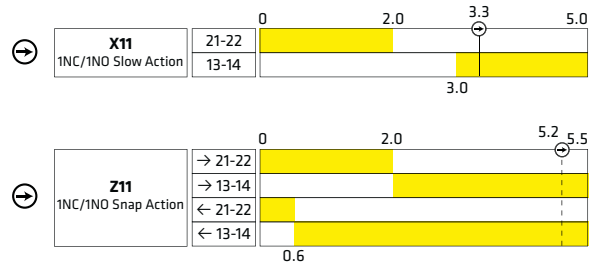
FCT	2	L	01	X11	D
Series	Cable or connector	Cable or connector direction	Head and actuators	Contact Types	Distance between fixing holes
	2 - 2 mt X - Other lenght on request M - M12 connector	L - Side V - Vertical	01 - Steel end plunger 02 - Roller plunger 03 - 90° Roller plunger 04 - Metal revolving lever Ø 17.5 nylon roller 05 - Adjustable lenght straight metal revolving lever Ø 17.5 nylon roller 06 - Steel end plunger with threaded flange 07 - Roller plunger with threaded flange 08 - 90° Roller plunger with threaded flange 09 - Steel end plunger with rubber protection 10 - Rod lever type 11 - Spring lever with tip in PA	X11 - 1NC/1NO Slow Action Z11 - 1NC/1NO Snap Action	D - 20 mm

O1: Steel end plunger

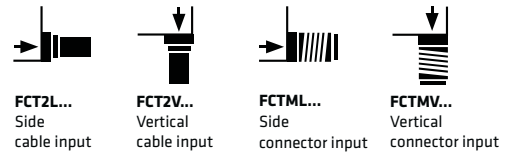
FCT	M	L	O1	X11	D
Series	Cable or connector	Cable or connector direction	Head and actuators	Contact Types	Distance between fixing holes
	2 - 2 mt X - Other lenghts on request M - M12 connector	L - Side V - Vertical	O1 - Steel end plunger	X11 - 1NC/1NO Slow Action Z11 - 1NC/1NO Snap Action	D - 20 mm



OPERATION DIAGRAMS

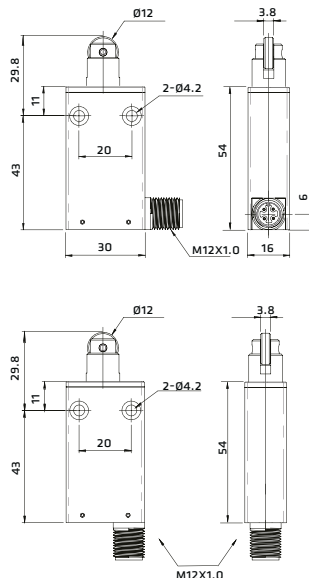


AVAILABLE VERSIONS

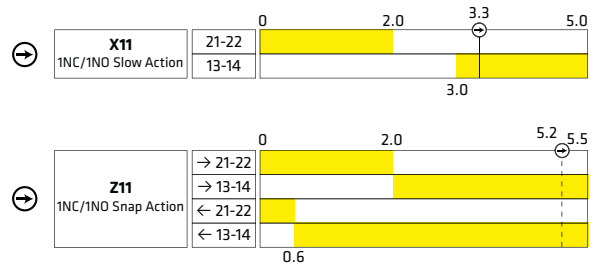


O2: Roller plunger

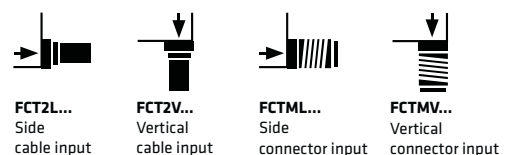
FCT	M	L	O2	X11	D
Series	Cable or connector	Cable or connector direction	Head and actuators	Contact Types	Distance between fixing holes
	2 - 2 mt X - Other lenghts on request M - M12 connector	L - Side V - Vertical	O2 - Roller plunger	X11 - 1NC/1NO Slow Action Z11 - 1NC/1NO Snap Action	D - 20 mm



OPERATION DIAGRAMS

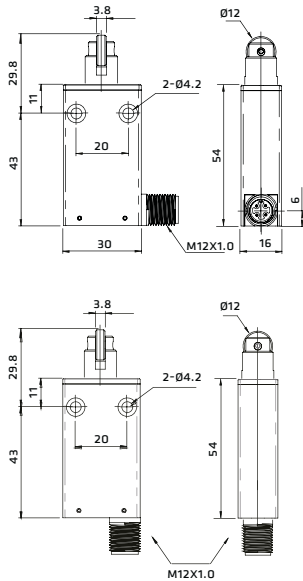


AVAILABLE VERSIONS

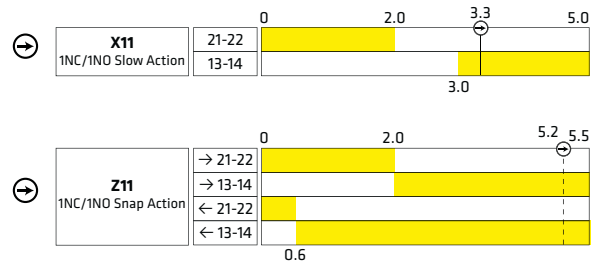


03: 90° Roller plunger

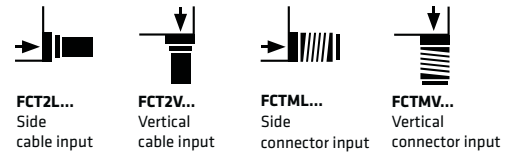
FCT	M	L	03	X11	D
Series	Cable or connector	Cable or connector direction	Head and actuators	Contact Types	Distance between fixing holes
	Z - 2 mt X - Other lenghts on request M - M12 connector	L - Side V - Vertical	03 - 90° Roller plunger	X11 - 1NC/1NO Slow Action Z11 - 1NC/1NO Snap Action	D - 20 mm



OPERATION DIAGRAMS

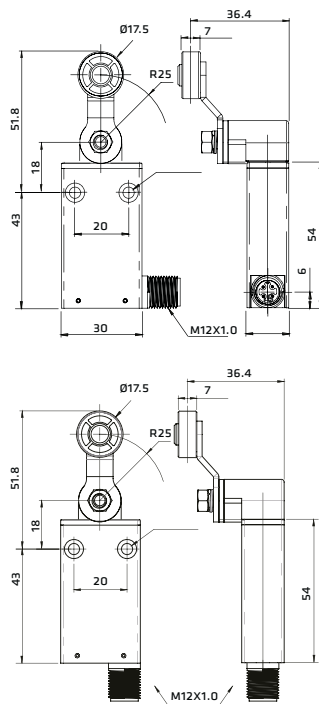


AVAILABLE VERSIONS

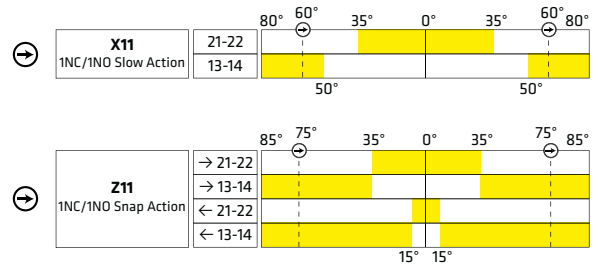


04: Metal revolving lever Ø17.5 nylon roller

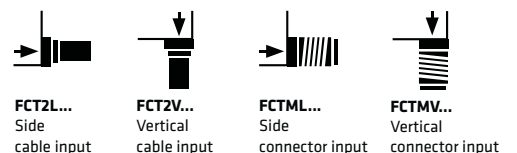
FCT	M	L	04	X11	D
Series	Cable or connector	Cable or connector direction	Head and actuators	Contact Types	Distance between fixing holes
	Z - 2 mt X - Other lenghts on request M - M12 connector	L - Side V - Vertical	04 - Metal revolving lever Ø17.5 nylon roller	X11 - 1NC/1NO Slow Action Z11 - 1NC/1NO Snap Action	D - 20 mm



OPERATION DIAGRAMS

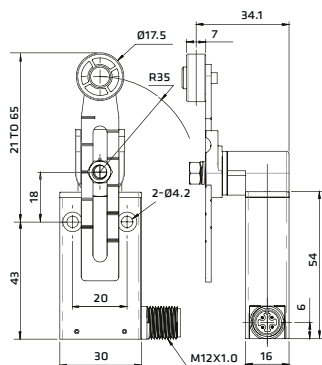


AVAILABLE VERSIONS

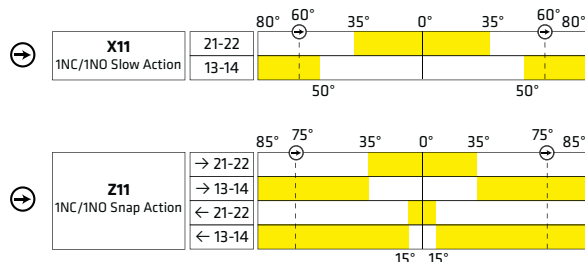


O5: Adjustable length straight metal revolving lever Ø17.5 nylon roller

FCT	M	L	O5	X11	D
Series	Cable or connector	Cable or connector direction	Head and actuators	Contact Types	Distance between fixing holes
	Z - 2 mt X - Other lengths on request M - M12 connector	L - Side V - Vertical	O5 - Adjustable length straight metal revolving lever Ø17.5 nylon roller	X11 - 1NC/1NO Slow Action Z11 - 1NC/1NO Snap Action	D - 20 mm



OPERATION DIAGRAMS



AVAILABLE VERSIONS



FCT2L...
Side cable input



FCT2V...
Vertical cable input



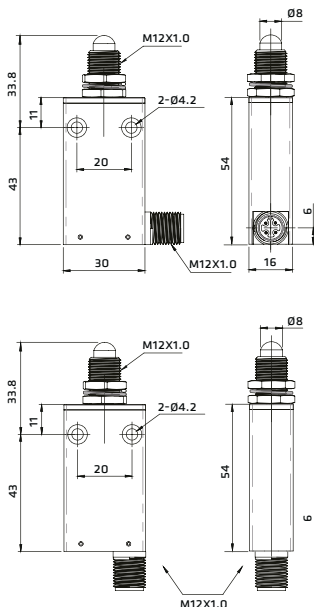
FCTML...
Side connector input



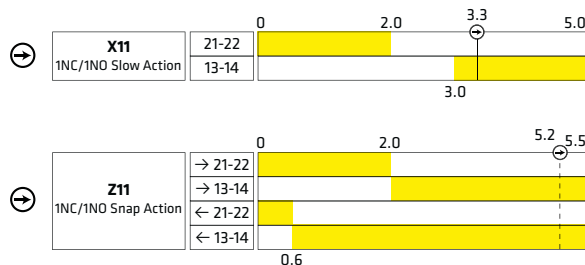
FCTMV...
Vertical connector input

O6: Steel end plunger with threaded flange

FCT	M	L	O6	X11	D
Series	Cable or connector	Cable or connector direction	Head and actuators	Contact Types	Distance between fixing holes
	Z - 2 mt X - Other lengths on request M - M12 connector	L - Side V - Vertical	O6 - Steel end plunger with threaded flange	X11 - 1NC/1NO Slow Action Z11 - 1NC/1NO Snap Action	D - 20 mm



OPERATION DIAGRAMS



AVAILABLE VERSIONS



FCT2L...
Side cable input



FCT2V...
Vertical cable input



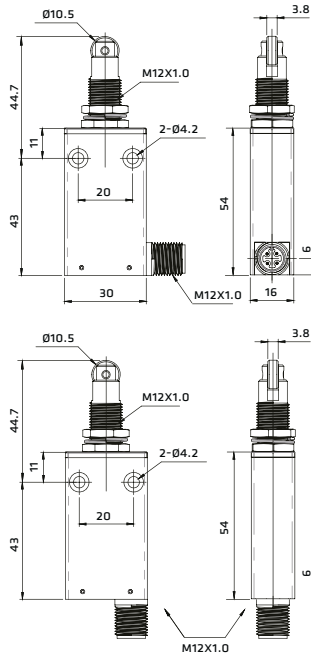
FCTML...
Side connector input



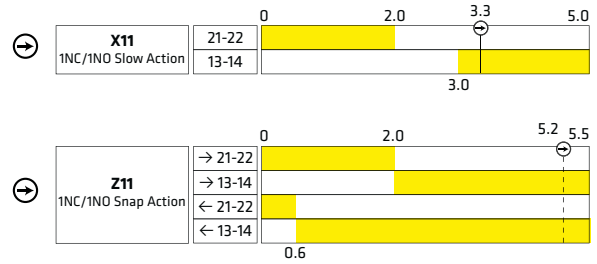
FCTMV...
Vertical connector input

07: Roller plunger with threaded flange

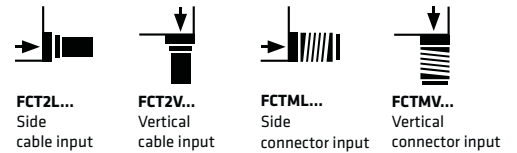
FCT	M	L	07	X11	D
Series	Cable or connector	Cable or connector direction	Head and actuators	Contact Types	Distance between fixing holes
	2 - 2 mt X - Other lenghts on request M - M12 connector	L - Side V - Vertical	07 - Roller plunger with threaded flange	X11 - 1NC/1NO Slow Action Z11 - 1NC/1NO Snap Action	D - 20 mm



OPERATION DIAGRAMS

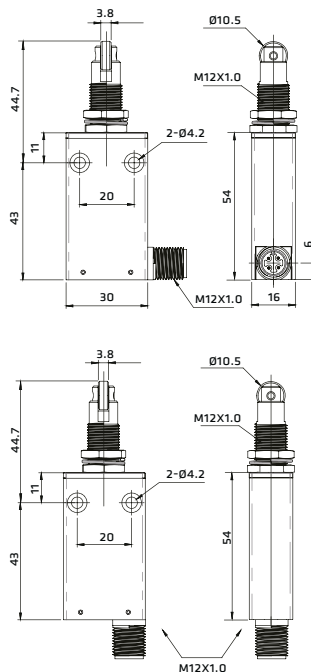


AVAILABLE VERSIONS

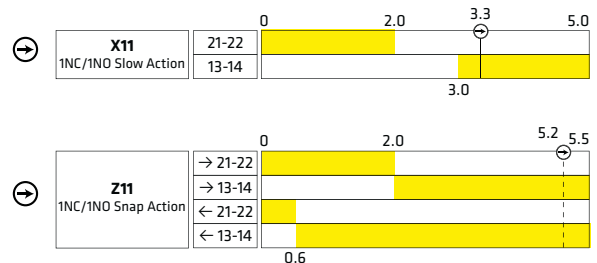


08: 90° Roller plunger with threaded flange

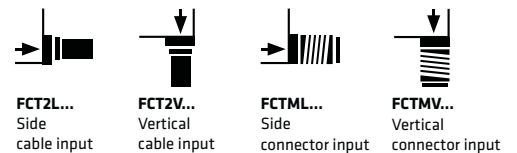
FCT	M	L	08	X11	D
Series	Cable or connector	Cable or connector direction	Head and actuators	Contact Types	Distance between fixing holes
	2 - 2 mt X - Other lenghts on request M - M12 connector	L - Side V - Vertical	08 - 90° Roller plunger with threaded flange	X11 - 1NC/1NO Slow Action Z11 - 1NC/1NO Snap Action	D - 20 mm



OPERATION DIAGRAMS



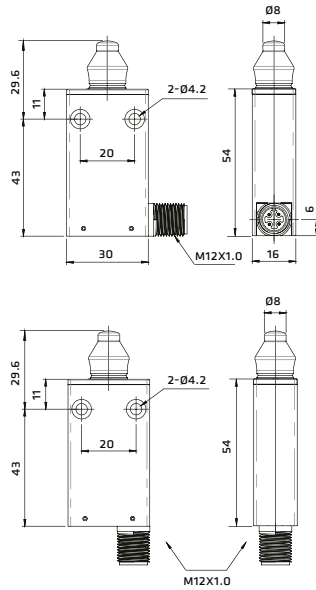
AVAILABLE VERSIONS



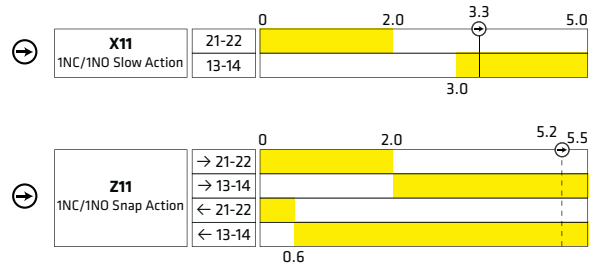


09: Steel end plunger with rubber protection

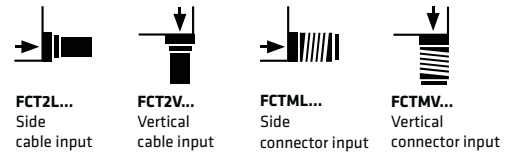
FCT	M	L	09	X11	D
Series	Cable or connector	Cable or connector direction	Head and actuators	Contact Types	Distance between fixing holes
	2 - 2 mt X - Other lengths on request M - M12 connector	L - Side V - Vertical	09 - Steel end plunger with rubber protection	X11 - 1NC/1NO Slow Action Z11 - 1NC/1NO Snap Action	D - 20 mm



OPERATION DIAGRAMS

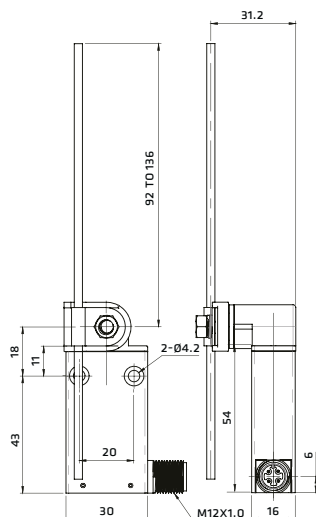


AVAILABLE VERSIONS

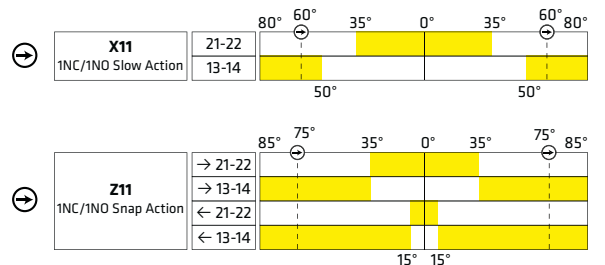


10: Rod lever type

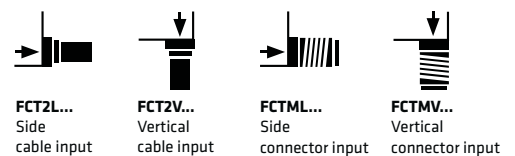
FCT	M	L	10	X11	D
Series	Cable or connector	Cable or connector direction	Head and actuators	Contact Types	Distance between fixing holes
	2 - 2 mt X - Other lengths on request M - M12 connector	L - Side V - Vertical	10 - Rod lever type	X11 - 1NC/1NO Slow Action Z11 - 1NC/1NO Snap Action	D - 20 mm



OPERATION DIAGRAMS



AVAILABLE VERSIONS

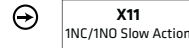


11: Spring lever with tip in PA

FCT	M	L	11	X11	D
Series	Cable or connector	Cable or connector direction	Head and actuators	Contact Types	Distance between fixing holes
	2 - 2 mt X - Other lenghts on request M - M12 connector	L - Side V - Vertical	11 - Spring lever with tip in PA	X11 - 1NC/1NO Slow Action Z11 - 1NC/1NO Snap Action	D - 20 mm



OPERATION DIAGRAMS... Coming soon



AVAILABLE VERSIONS



FCT2L...
Side cable input



FCT2V...
Vertical cable input












FCTML...
Side connector input



FCTMV...
Vertical connector input

OPERATING FORCE FCT SERIES

TYPE	CONTACT BLOCK			OF max	RF min	TT min	PT max	OT min	MD max	OP ±1mm
	X11	1 NC/1 NO Slow Action	NC	1200 g	400 g	5 mm	2 mm	3.8 mm	N/A	17.3 mm
			NO				3 mm	3 mm		16.3 mm
	Z11	1 NC/1 NO Snap Action	NC	1500 g	300 g	5 mm	2.5 mm	3 mm	2 mm	16.8 mm
			NO							
	X11	1 NC/1 NO Slow Action	NC	1200 g	400 g	5 mm	2 mm	3.8 mm	N/A	28.3 mm
			NO				3 mm	3 mm		27.3 mm
	Z11	1 NC/1 NO Snap Action	NC	1500 g	300 g	5 mm	2.5 mm	3 mm	2 mm	27.8 mm
			NO							
	X11	1 NC/1 NO Slow Action	NC	1200 g	400 g	5 mm	2 mm	3.8 mm	N/A	28.3 mm
			NO				3 mm	3 mm		27.3 mm
	Z11	1 NC/1 NO Snap Action	NC	1500 g	300 g	5 mm	2.5 mm	3 mm	2 mm	27.8 mm
			NO							
	X11	1 NC/1 NO Slow Action	NC	1000 g	150 g	80°	35°	45°	N/A	N/A
			NO				50°	35°		
	Z11	1 NC/1 NO Snap Action	NC	1000 g	100 g	80°	45°	25°	30°	N/A
			NO				40°	60°		
	X11	1 NC/1 NO Slow Action	NC	1000 g	150 g	80°	35°	45°	N/A	N/A
			NO				50°	35°		
	Z11	1 NC/1 NO Snap Action	NC	1000 g	100 g	80°	45°	25°	30°	N/A
			NO				40°	60°		
	X11	1 NC/1 NO Slow Action	NC	1200 g	400 g	5 mm	2 mm	3.8 mm	N/A	32.3 mm
			NO				3 mm	3 mm		31.3 mm
	Z11	1 NC/1 NO Snap Action	NC	1500 g	300 g	5 mm	2.5 mm	3 mm	2 mm	31.8 mm
			NO							
	X11	1 NC/1 NO Slow Action	NC	1200 g	400 g	5 mm	2 mm	3.8 mm	N/A	43.2 mm
			NO				3 mm	3 mm		42.2 mm
	Z11	1 NC/1 NO Snap Action	NC	1500 g	300 g	5 mm	2.5 mm	3 mm	2 mm	42.7 mm
			NO							
	X11	1 NC/1 NO Slow Action	NC	1200 g	400 g	5 mm	2 mm	3.8 mm	N/A	43.2 mm
			NO				3 mm	3 mm		42.2 mm
	Z11	1 NC/1 NO Snap Action	NC	1500 g	300 g	5 mm	2.5 mm	3 mm	2 mm	42.7 mm
			NO							
	X11	1 NC/1 NO Slow Action	NC	1200 g	400 g	5 mm	2 mm	3.8 mm	N/A	27.1 mm
			NO				3 mm	3 mm		26.1 mm
	Z11	1 NC/1 NO Snap Action	NC	1500 g	300 g	5 mm	2.5 mm	3 mm	2 mm	26.6 mm
			NO							

OPERATING FORCE FCT SERIES

TYPE	CONTACT BLOCK			OF max	RF min	TT min	PT max	OT min	MD max	OP ± 1 mm
------	---------------	--	--	--------	--------	--------	--------	--------	--------	---------------



10	X11	1 NC/1 NO Slow Action	NC	1000 g	150 g	80°	35°	45°	N/A	N/A
			NO				50°	35°		
	Z11	1 NC/1 NO Snap Action	NC	1000 g	100 g	80°	45°	25°	30°	N/A
			NO				40°	60°		



11	X11	1 NC/1 NO Slow Action	NC	-	-	-	-	-	-	-	
			NO	-	-	-	-	-	-	-	
	Z11	1 NC/1 NO Snap Action	NC	Coming soon!							
			NO	-	-	-	-	-	-	-	



GIOVENZANA

INTERNATIONAL B.V.



MICRO SWITCHES
MFI SERIES

F MFI SERIES MICRO SWITCHES

DESCRIPTION

Giovenzana's standard micro switches with self cleaning contacts, supplied with operator, are high-precision, snap action switches and these are the main features for which they are notable:

- Fast and reliable switching largely independent of actuating speed;
 - High electrical ratings but with small dimensions;
 - High repeat accuracy of switching points and forces;
 - Low operating force;
 - **NC positive opening**
 - Very long service life
 - Equipped with self cleaning switching contacts in silver alloy
 - Available with the pin plunger or various type of actuation lever.
- Easy adaptation to numerous applications such as joystick, air conditioner, food processor, juice maker, mixer, coffee machines, disabled footboards, ...

We've six lines of micro switches (one of them dedicated to Atex field):



MFI series (pag. 79-81)

Micro switches, normalized with self-cleaning contacts including actioning lever with 7 different versions.

- Faston terminal 6.3 x 0.8



MFI.S series (pag. 82-84)

Micro switches, normalized with self-cleaning contacts including actioning lever with 7 different versions.

- Solder micro switches



MFI.ST series (pag. 85-87)

Micro switches, normalized with self-cleaning contacts including actioning lever with 7 different versions.

- Screw terminal



MFI.STP series (pag. 88-90)

Micro switches, normalized with self-cleaning contacts including actioning lever with 7 different versions.

- Screw terminal and plate protection



MFI.T (pag. 91)

Micro switch with tower actuator and threaded flange.



Also available the MFI.Ex series.

Micro switches dedicated to use in hazardous areas and potentially explosive atmospheres.

Ask the dedicated Atex catalogue!

QUALITY MARKS

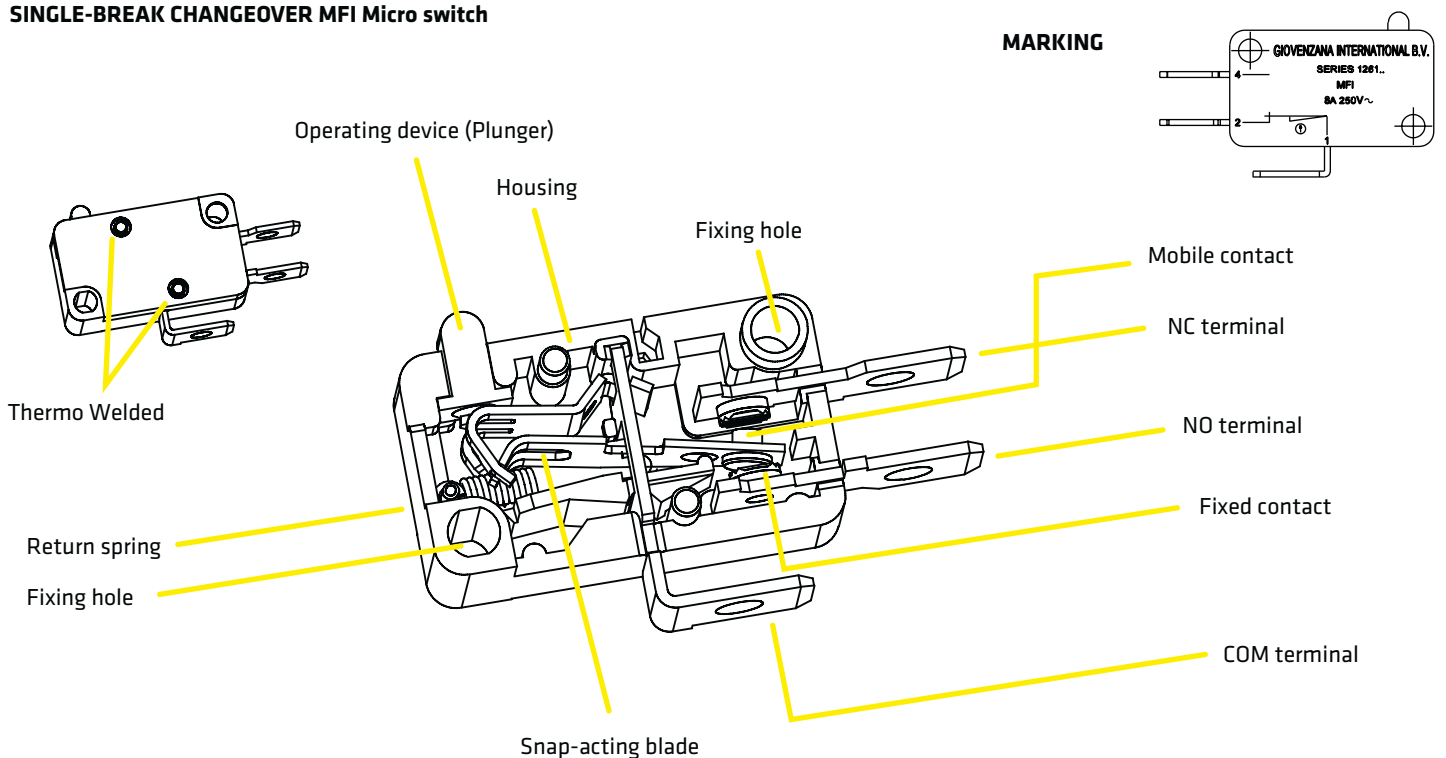


STANDARDS & APPROVALS

Standards	IEC/EN61058, UL1054
Approvals	cRUus, CE for all applicable directives

STRUCTURE DESCRIPTION

SINGLE-BREAK CHANGEOVER MFI Micro switch



Micro switches are activated by a spring-operated (or snap-action) mechanism. Depressing the actuator triggers the switching operation, with a pre-defined force and travel. The switching speed itself is a largely independent of the speed of actuation.

ACTIONING LEVERS

It is possible to attach an actioning lever to a snap switch in order to meet the specific requirements of a given application. Doing so usually alters the travel and forces involved in the switching operation, depending on the length of the levers. By attaching an appropriate actioning lever, it is possible to increase travel and/or reduce actuating force required.

OPERATION DEVICE (PLUNGER)

Applying force to the actioning lever of a snap switch releases the snap action mechanism, which in turn triggers the switching operation.

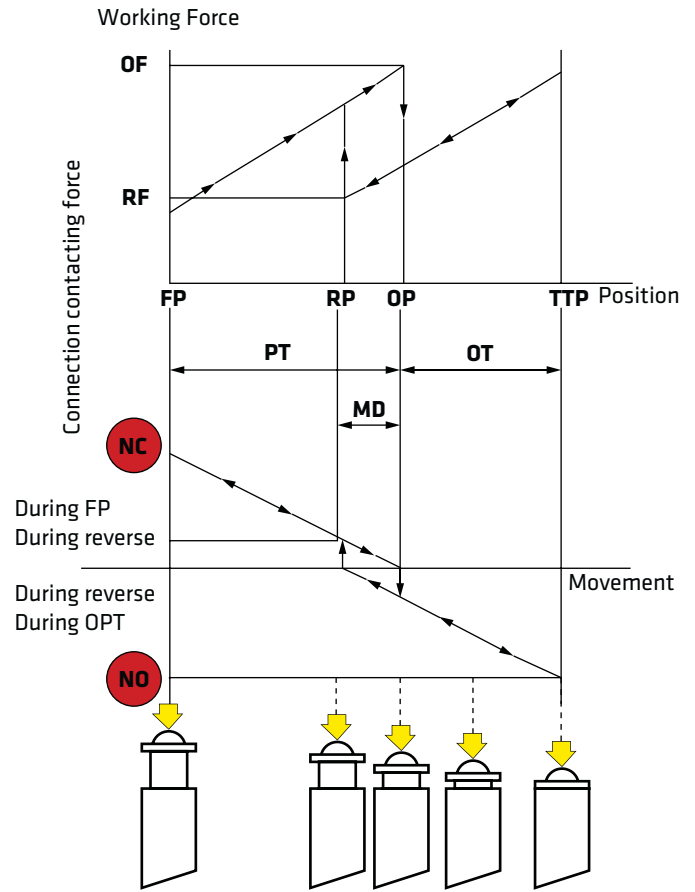
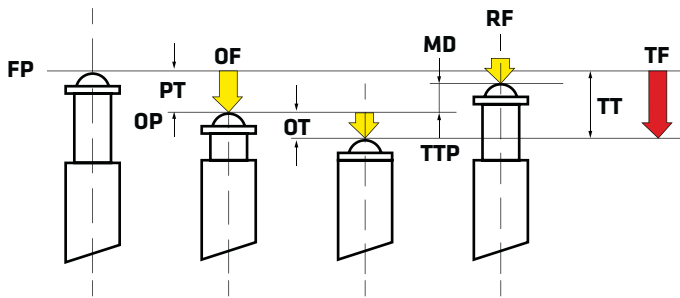
POSITIVE OPENING



An additional internal mechanism, made of non-resilient parts, forces the opening of NC contacts in case of accidental welding (overload, short circuit, ...) or snap action mechanism failure. Models fitted with this function are particularly suitable for safety related applications according to ISO13849-1 or EN60204-1.

To ensure proper functioning of positive opening operation, the operating device must be depressed up to the positive opening position.

SNAP ACTION SWITCH TECHNOLOGY



OPERATING CHARACTERISTICS

OF - OPERATING FORCE

The force applied to the actuator required to operate the switch contacts.

RF - RELEASING FORCE

The value to which the force on the actuator must be reduced to allow the contacts to return to the normal position.

TF - TOTAL FORCE

The force applied to the actuator required to reach the stopper from the free position.

FP - FREE POSITION

The initial position of the actuator when there is no external force applied.

OP - OPERATING POSITION

The position of the actuator at which the contacts snap to the operated contact position.

RP - RELEASING POSITION

The position of the actuator at which the contacts snap from the operated contact position to their normal position.

TTP - TOTAL TRAVEL POSITION

The position of the actuator when it reaches the stopper.

PT - PRETRAVEL

The distance or angle through which the actuator moves from the free position to the operating position.

OT - OVERTRAVEL

The distance or angle of the actuator movement beyond the operating position.

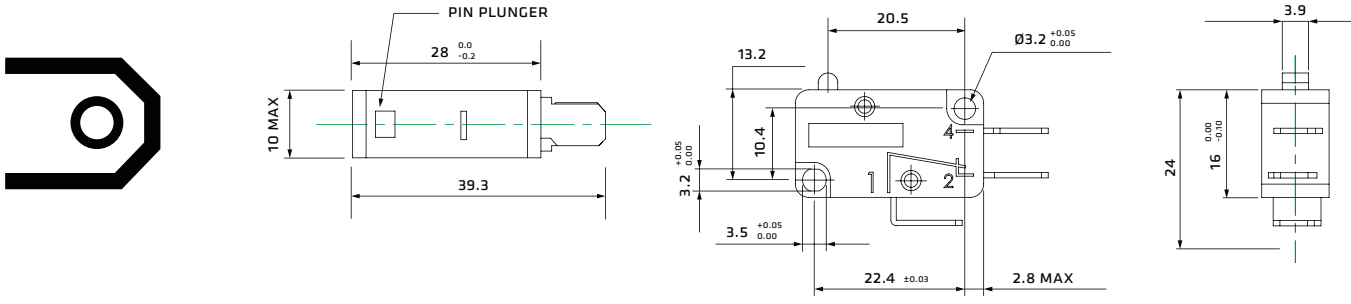
MD - MOVEMENT DIFFERENTIAL

The distance or angle from the operating position to the realising position.

TT - TOTAL TRAVEL

The sum of the pretravel and total overtravel expressed by distance or angle.

MFI SERIES - FASTON TERMINAL 6.3 x 0.8 MICRO SWITCHES



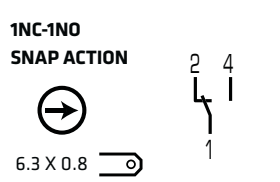
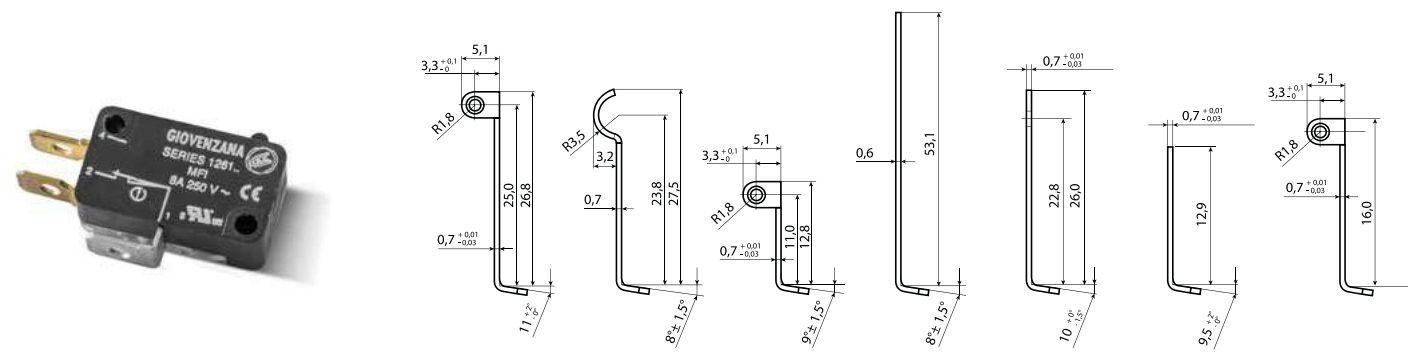
GENERAL DATA

Operating temperature	Min -25°C (-18°F) / Max 85°C (+185°F)
Mechanical life expectancy	1x10 ⁶ cycles min
Electrically life expectancy	5x10 ⁵ cycles min
Termination type	6.3 x 0.8 faston terminal

ELECTRICAL DATA

Rated Thermal current (I _{th})	8A
Rated insulation voltage (U _i)	250V
Rated impulse withstand voltage (U _{imp})	1500V
Rated operating current (I _e)	8A - 250V resistive load, 3A - 250V inductive load
Pollution degree	2
Protection against electric shock	Class II

LEVER TYPES



	PIN PLUNGER	LONG ROLLER LEVER	SIMULATED ROLLER LEVER	ROLLER LEVER	LONG LEVER	LEVER	SHORT LEVER	ROLLER LEVER L=16 mm
--	-------------	-------------------	------------------------	--------------	------------	-------	-------------	----------------------

		MFI	MFI.1	MFI.2	MFI.3	MFI.4	MFI.5	MFI.6	MFI.7
Operating force - OF	max N	5,1	3,2	3,2	5,1	1,3	3,2	5,1	4,5
Resetting force - RF	min N	1,9	1,0	1,0	1,9	0,15	1,2	1,9	1,9
Max Pre travel - PT	max mm	1,4	3,3	3,3	1,4	7,6	3,3	1,6	1,8
Min Over travel - OT	min mm	0,8	0,8	0,8	0,6	2,2	0,8	0,6	0,8
Tripping position - OP	mm	14,4 ± 0,5	20,3 ± 1,2	18,4 ± 1,2	20,3 ± 0,8	15,1 ± 2,6	15,1 ± 1,2	15,1 ± 0,6	21,1 ± 0,6

MFI SERIES - FASTON TERMINAL 6.3 x 0.8 MICRO SWITCHES

MFI.1: Long roller lever

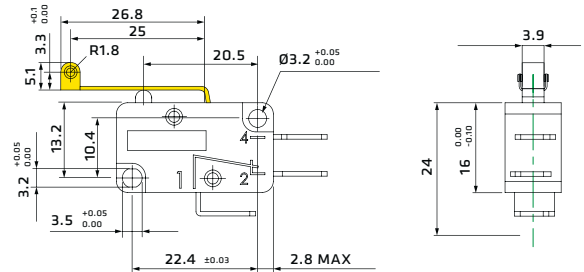
1NC-1NO
SNAP ACTION



6.3 X 0.8



TYPE	OF max	RF min	PT max	OT min	OP ±1mm
MFI.1	3.2 N	1.0 N	3.3 mm	0.8 mm	20.3 ± 1.2 mm



MFI.2: Simulated roller lever

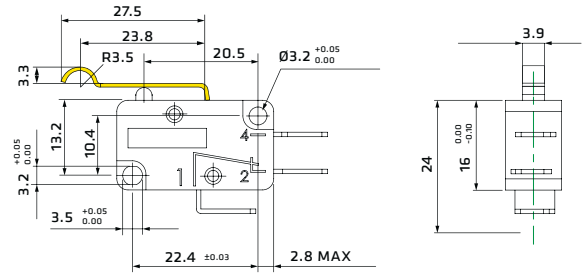
1NC-1NO
SNAP ACTION



6.3 X 0.8



TYPE	OF max	RF min	PT max	OT min	OP ±1mm
MFI.2	3.2 N	1.0 N	3.3 mm	0.8 mm	18.4 ± 1.2 mm



MFI.3: Roller lever

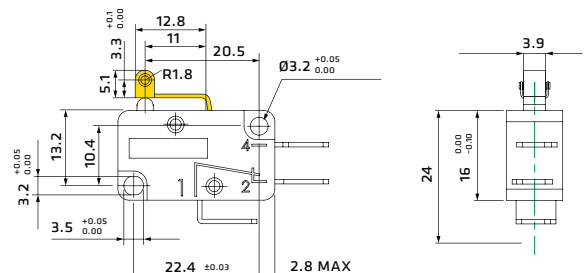
1NC-1NO
SNAP ACTION



6.3 X 0.8



TYPE	OF max	RF min	PT max	OT min	OP ±1mm
MFI.3	5.1 N	1.9 N	1.4 mm	0.6 mm	20.3 ± 0.8 mm



MFI.4: Long lever

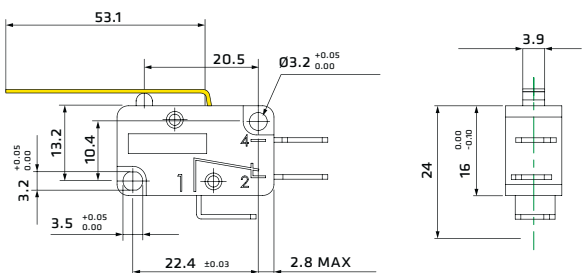
1NC-1NO
SNAP ACTION

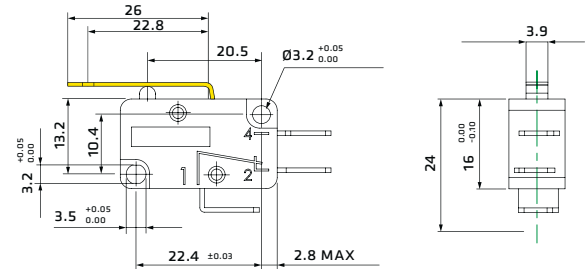



6.3 X 0.8

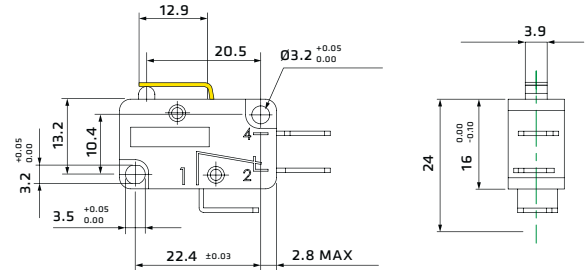



TYPE	OF max	RF min	PT max	OT min	OP ±1mm
MFI.4	1.3 N	0.15 N	7.6 mm	2.2 mm	15.1 ± 2.6 mm

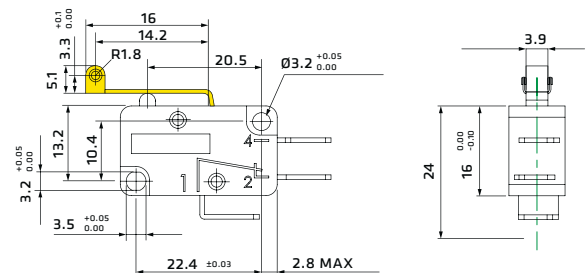



MFI.5: Lever1NC-1NO
SNAP ACTION6.3 X 0.8 

TYPE	OF max	RF min	PT max	OT min	OP ±1mm
MFI.5	3.2 N	1.2 N	3.3 mm	0.8 mm	15.1 ± 1.2 mm

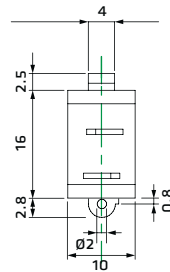
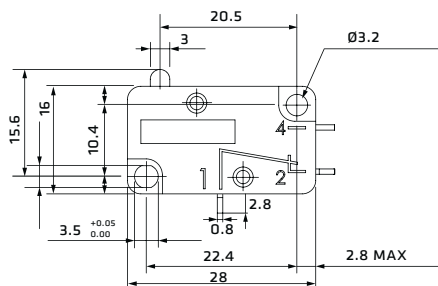
MFI.6: Short Lever1NC-1NO
SNAP ACTION6.3 X 0.8 

TYPE	OF max	RF min	PT max	OT min	OP ±1mm
MFI.6	5.1 N	1.9 N	1.6 mm	0.6 mm	15.1 ± 0.6 mm

MFI.7: Roller lever L=16mm1NC-1NO
SNAP ACTION6.3 X 0.8 

TYPE	OF max	RF min	PT max	OT min	OP ±1mm
MFI.7	4.5 N	1.9 N	1.8 mm	0.8 mm	21.1 ± 0.6 mm

MFI.S SERIES - SOLDER MICRO SWITCHES



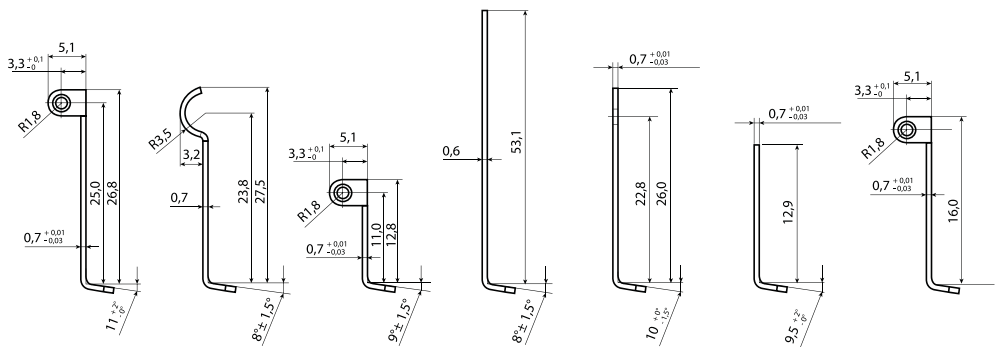
GENERAL DATA

Operating temperature	Min -25°C (-18°F) / Max 85°C (+185°F)
Mechanical life expectancy	1x10 ⁶ cycles min
Electrically life expectancy	5x10 ⁵ cycles min
Termination type	Solder

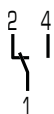
ELECTRICAL DATA

Rated Thermal current (Ith)	8A
Rated insulation voltage (Ui)	250V
Rated impulse withstand voltage (Uimp)	1500V
Rated operating current (Ie)	8A - 250V resistive load, 3A - 250V inductive load
Pollution degree	2
Protection against electric shock	Class II

LEVER TYPES

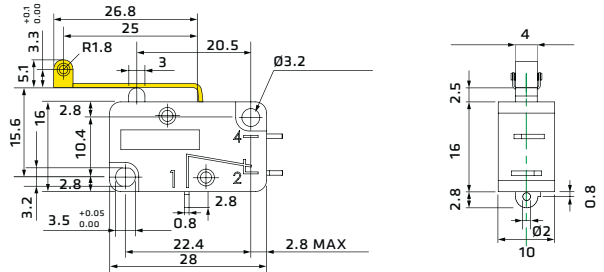



1NC-1NO
SNAP ACTION

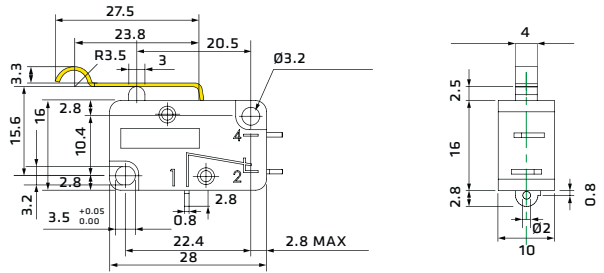



	PIN PLUNGER	LONG ROLLER LEVER	SIMULATED ROLLER LEVER	ROLLER LEVER	LONG LEVER	LEVER	SHORT LEVER	ROLLER LEVER L=16 mm
--	-------------	-------------------	------------------------	--------------	------------	-------	-------------	----------------------

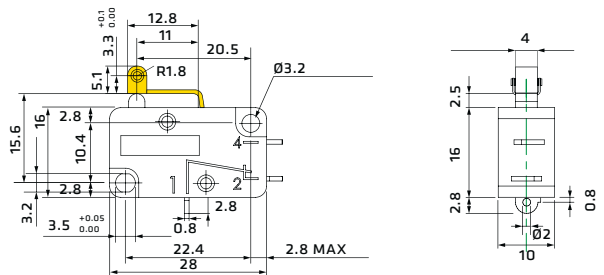

	MFI.S	MFI.1S	MFI.2S	MFI.3S	MFI.4S	MFI.5S	MFI.6S	MFI.7S
Operating force - OF	max N	5,1	3,2	3,2	5,1	1,3	3,2	4,5
Resetting force - RF	min N	1,9	1,0	1,0	1,9	0,15	1,2	1,9
Max Pre travel - PT	max mm	1,4	3,3	3,3	1,4	7,6	3,3	1,8
Min Over travel - OT	min mm	0,8	0,8	0,8	0,6	2,2	0,8	0,8
Tripping position - OP	mm	14,4 ± 0,5	20,3 ± 1,2	18,4 ± 1,2	20,3 ± 0,8	15,1 ± 2,6	15,1 ± 1,2	21,1 ± 0,6

MFI.1S: Long roller lever1NC-1NO
SNAP ACTIONSolder 

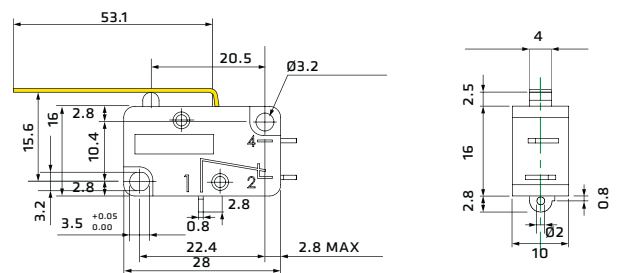

TYPE	OF max	RF min	PT max	OT min	OP ±1mm
MFI.1S	3.2 N	1.0 N	3.3 mm	0.8 mm	20.3 ± 1.2 mm

MFI.2S: Simulated roller lever1NC-1NO
SNAP ACTIONSolder 

TYPE	OF max	RF min	PT max	OT min	OP ±1mm
MFI.2S	3.2 N	1.0 N	3.3 mm	0.8 mm	18.4 ± 1.2 mm

MFI.3S: Roller lever1NC-1NO
SNAP ACTIONSolder 

TYPE	OF max	RF min	PT max	OT min	OP ±1mm
MFI.3S	5.1 N	1.9 N	1.4 mm	0.6 mm	20.3 ± 0.8 mm

MFI.4S: Long lever1NC-1NO
SNAP ACTIONSolder 

TYPE	OF max	RF min	PT max	OT min	OP ±1mm
MFI.4S	1.3 N	0.15 N	7.6 mm	2.2 mm	15.1 ± 2.6 mm

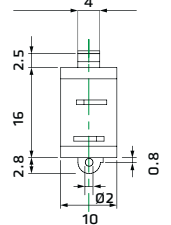
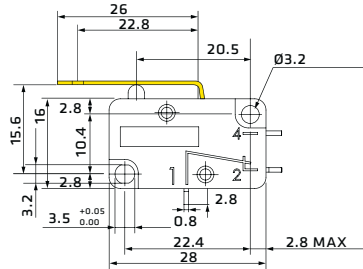
MFI.S SERIES - SOLDER MICRO SWITCHES

MFI.5S: Lever

1NC-1NO
SNAP ACTION



Solder



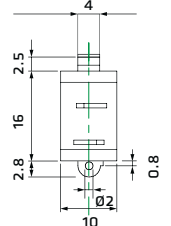
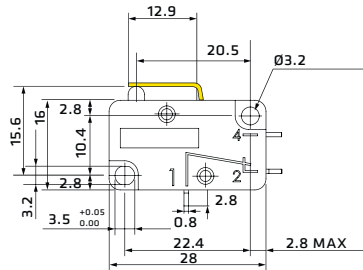
TYPE	OF max	RF min	PT max	OT min	OP ±1mm
MFI.5S	3.2 N	1.2 N	3.3 mm	0.8 mm	15.1 ± 1.2 mm

MFI.6S: Short Lever

1NC-1NO
SNAP ACTION



Solder



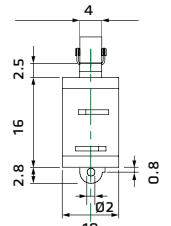
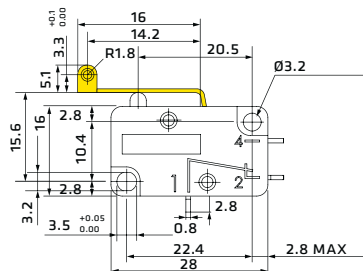
TYPE	OF max	RF min	PT max	OT min	OP ±1mm
MFI.6S	5.1 N	1.9 N	1.6 mm	0.6 mm	15.1 ± 0.6 mm

MFI.7S: Roller lever L=16mm

1NC-1NO
SNAP ACTION

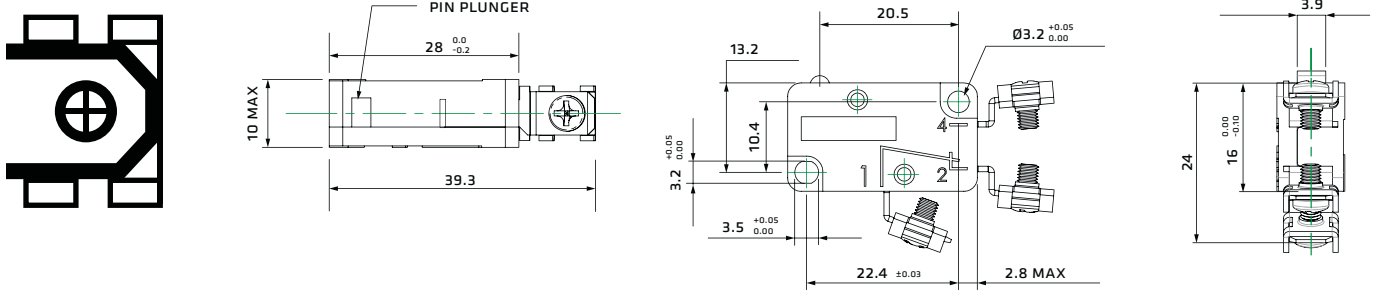


Solder



TYPE	OF max	RF min	PT max	OT min	OP ±1mm
MFI.7S	4.5 N	1.9 N	1.8 mm	0.8 mm	21.1 ± 0.6 mm

MFI.ST SERIES - SCREW TERMINAL MICRO SWITCHES



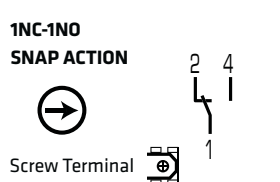
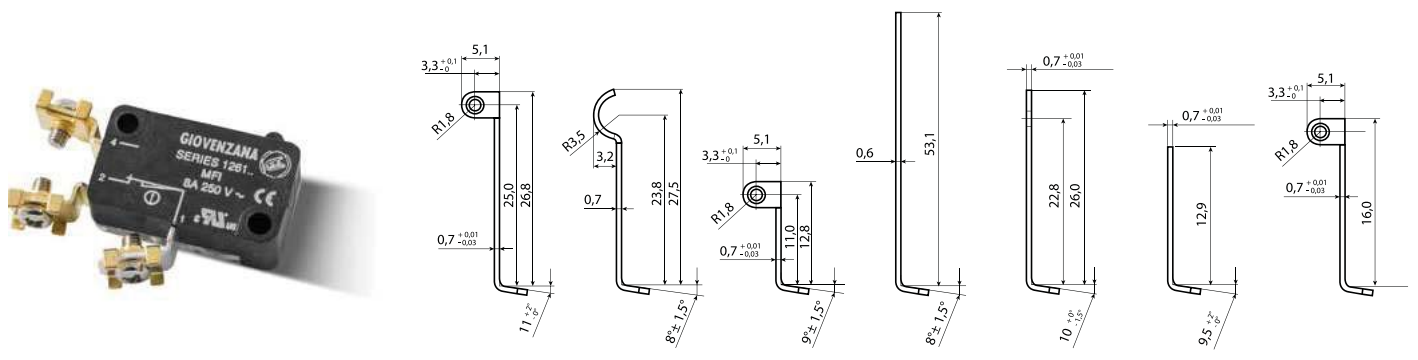
GENERAL DATA

Operating temperature	Min -25°C (-18°F) / Max 85°C (+185°F)
Mechanical life expectancy	1x10 ⁶ cycles min
Electrically life expectancy	5x10 ⁵ cycles min
Termination type	Screw terminal

ELECTRICAL DATA

Rated Thermal current (I _{th})	8A
Rated insulation voltage (U _i)	250V
Rated impulse withstand voltage (U _{imp})	1500V
Rated operating current (I _e)	8A - 250V resistive load, 3A - 250V inductive load
Pollution degree	2
Protection against electric shock	Class II

LEVER TYPES



	PIN PLUNGER	LONG ROLLER LEVER	SIMULATED ROLLER LEVER	ROLLER LEVER	LONG LEVER	LEVER	SHORT LEVER	ROLLER LEVER L-16 mm
--	-------------	-------------------	------------------------	--------------	------------	-------	-------------	----------------------

		MFI.ST	MFI.1ST	MFI.2ST	MFI.3ST	MFI.4ST	MFI.5ST	MFI.6ST	MFI.7ST
Operating force - OF	max N	5,1	3,2	3,2	5,1	1,3	3,2	5,1	4,5
Resetting force - RF	min N	1,9	1,0	1,0	1,9	0,15	1,2	1,9	1,9
Max Pre travel - PT	max mm	1,4	3,3	3,3	1,4	7,6	3,3	1,6	1,8
Min Over travel - OT	min mm	0,8	0,8	0,8	0,6	2,2	0,8	0,6	0,8
Tripping position - OP	mm	14,4 ± 0,5	20,3 ± 1,2	18,4 ± 1,2	20,3 ± 0,8	15,1 ± 2,6	15,1 ± 1,2	15,1 ± 0,6	21,1 ± 0,6

MFI.ST SERIES - SCREW TERMINAL MICRO SWITCHES

MFI.1ST: Long roller lever

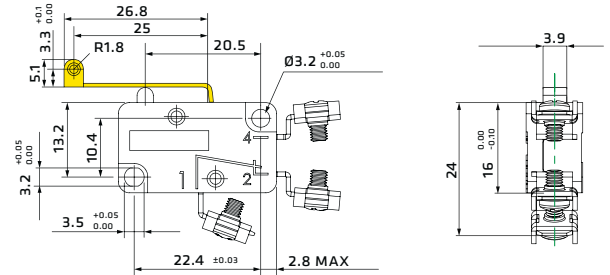
1NC-1NO
SNAP ACTION



Screw Terminal



TYPE	OF max	RF min	PT max	OT min	OP ±1mm
MFI.1ST	3.2 N	1.0 N	3.3 mm	0.8 mm	20.3 ± 1.2 mm



MFI.2ST: Simulated roller lever

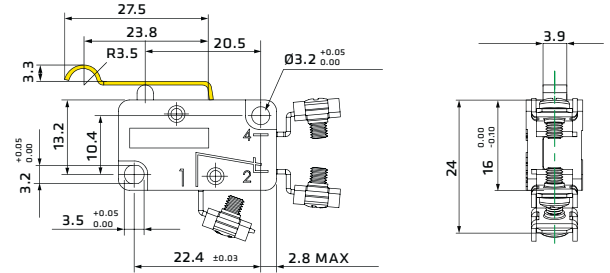
1NC-1NO
SNAP ACTION



Screw Terminal



TYPE	OF max	RF min	PT max	OT min	OP ±1mm
MFI.2ST	3.2 N	1.0 N	3.3 mm	0.8 mm	18.4 ± 1.2 mm



MFI.3ST: Roller lever

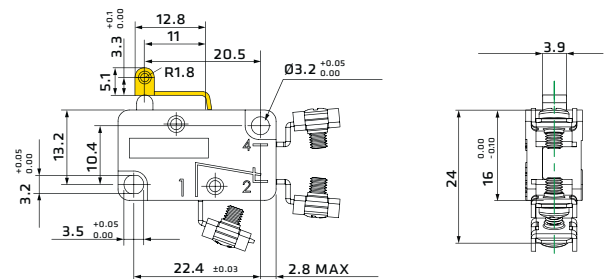
1NC-1NO
SNAP ACTION



Screw Terminal



TYPE	OF max	RF min	PT max	OT min	OP ±1mm
MFI.3ST	5.1 N	1.9 N	1.4 mm	0.6 mm	20.3 ± 0.8 mm



MFI.4ST: Long lever

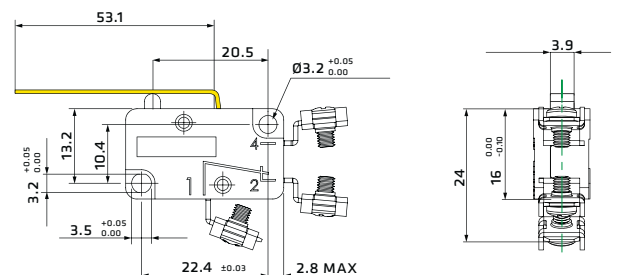
1NC-1NO
SNAP ACTION



Screw Terminal



TYPE	OF max	RF min	PT max	OT min	OP ±1mm
MFI.4ST	1.3 N	0.15 N	7.6 mm	2.2 mm	15.1 ± 2.6 mm

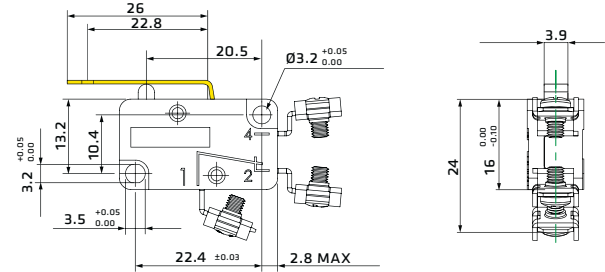


MFI.5ST: Lever

1NC-1NO
SNAP ACTION



Screw Terminal



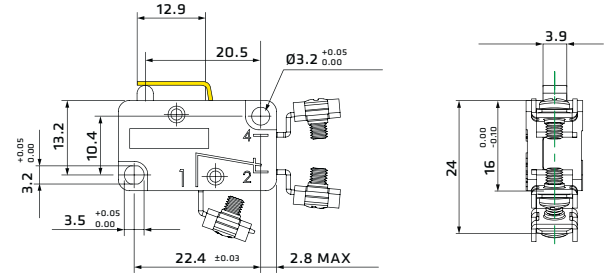
TYPE	OF max	RF min	PT max	OT min	OP ±1mm
MFI.5ST	3.2 N	1.2 N	3.3 mm	0.8 mm	15.1 ± 1.2 mm

MFI.6ST: Short Lever

1NC-1NO
SNAP ACTION



Screw Terminal



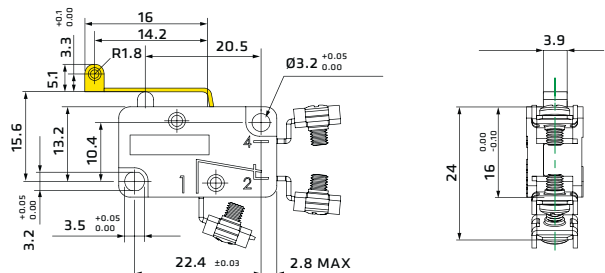
TYPE	OF max	RF min	PT max	OT min	OP ±1mm
MFI.6ST	5.1 N	1.9 N	1.6 mm	0.6 mm	15.1 ± 0.6 mm

MFI.7ST: Roller lever L=16mm

1NC-1NO
SNAP ACTION

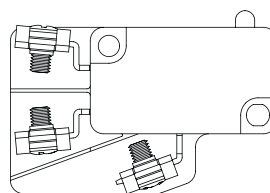
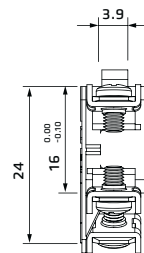
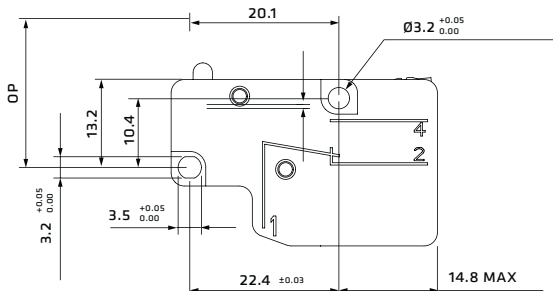
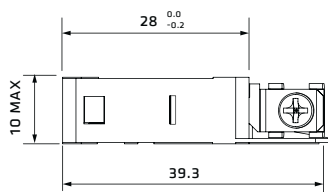
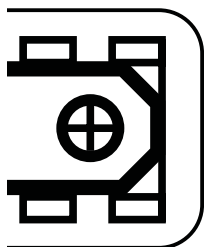


Screw Terminal



TYPE	OF max	RF min	PT max	OT min	OP ±1mm
MFI.7ST	4.5 N	1.9 N	1.8 mm	0.8 mm	21.1 ± 0.6 mm

MFI.STP SERIES - SCREW TERMINAL + PLATE PROTECTION MICRO SWITCHES



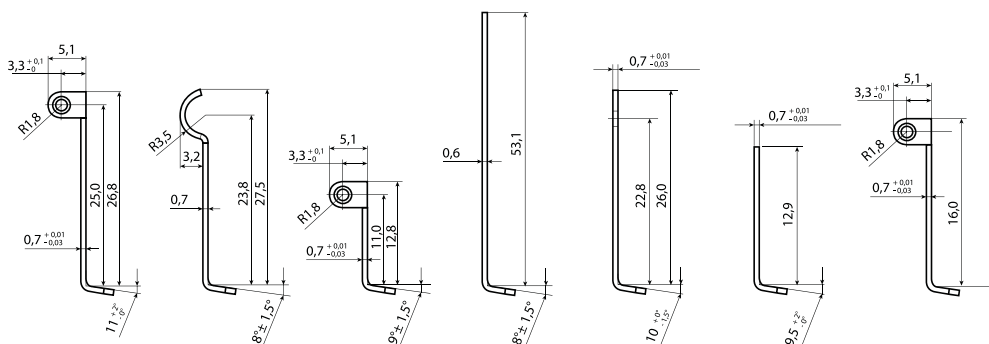
GENERAL DATA

Operating temperature	Min -25°C (-18°F) / Max 85°C (+185°F)
Mechanical life expectancy	1x10 ⁶ cycles min
Electrically life expectancy	5x10 ⁵ cycles min
Termination type	Screw terminal and plate protection

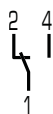
ELECTRICAL DATA

Rated Thermal current (Ith)	8A
Rated insulation voltage (Ui)	250V
Rated impulse withstand voltage (Uimp)	1500V
Rated operating current (Ie)	8A - 250V resistive load, 3A - 250V inductive load
Pollution degree	2
Protection against electric shock	Class II

LEVER TYPES



1NC-1NO
SNAP ACTION



Screw Terminals
Plate Protection



	PIN PLUNGER	LONG ROLLER LEVER	SIMULATED ROLLER LEVER	ROLLER LEVER	LONG LEVER	LEVER	SHORT LEVER	ROLLER LEVER L=16 mm
--	-------------	-------------------	------------------------	--------------	------------	-------	-------------	----------------------

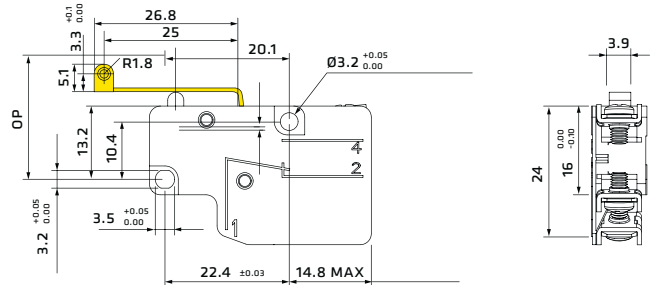
	MFI.STP	MFI.15STP	MFI.25STP	MFI.35STP	MFI.45STP	MFI.55STP	MFI.65STP	MFI.75STP	
Operating force - OF	max N	5,1	3,2	3,2	5,1	1,3	3,2	5,1	4,5
Resetting force - RF	min N	1,9	1,0	1,0	1,9	0,15	1,2	1,9	1,9
Max Pre travel - PT	max mm	1,4	3,3	3,3	1,4	7,6	3,3	1,6	1,8
Min Over travel - OT	min mm	0,8	0,8	0,8	0,6	2,2	0,8	0,6	0,8
Tripping position - OP	mm	14,4 ± 0,5	20,3 ± 1,2	18,4 ± 1,2	20,3 ± 0,8	15,1 ± 2,6	15,1 ± 1,2	15,1 ± 0,6	21,1 ± 0,6

MFI.1STP: Long roller lever

1NC-1NO
SNAP ACTION



Screw Terminals
Plate Protection



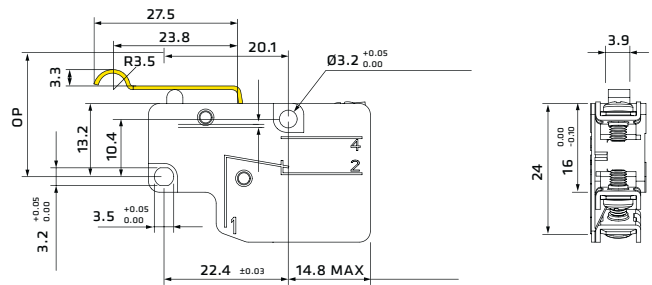
TYPE	OF max	RF min	PT max	OT min	OP ±1mm
MFI.1STP	3.2 N	1.0 N	3.3 mm	0.8 mm	20.3 ± 1.2 mm

MFI.2STP: Simulated roller lever

1NC-1NO
SNAP ACTION



Screw Terminals
Plate Protection



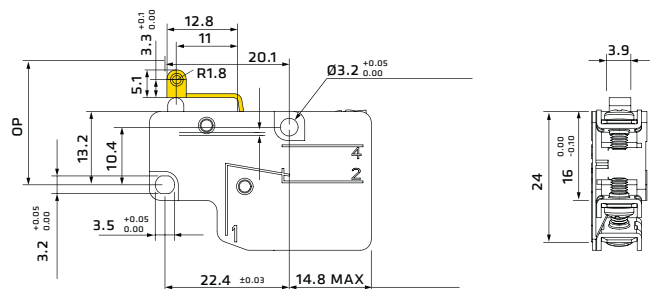
TYPE	OF max	RF min	PT max	OT min	OP ±1mm
MFI.2STP	3.2 N	1.0 N	3.3 mm	0.8 mm	18.4 ± 1.2 mm

MFI.3STP: Roller lever

1NC-1NO
SNAP ACTION



Screw Terminals
Plate Protection



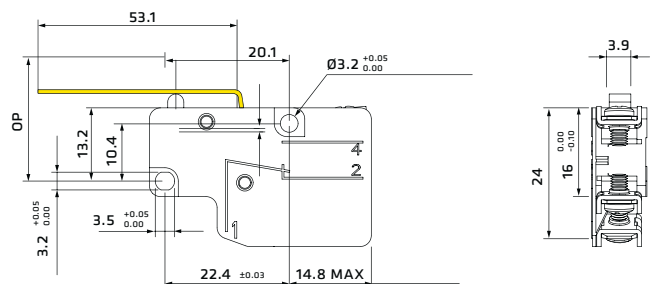
TYPE	OF max	RF min	PT max	OT min	OP ±1mm
MFI.3STP	5.1 N	1.9 N	1.4 mm	0.6 mm	20.3 ± 0.8 mm

MFI.4STP: Long lever

1NC-1NO
SNAP ACTION



Screw Terminals
Plate Protection



TYPE	OF max	RF min	PT max	OT min	OP ±1mm
MFI.4STP	1.3 N	0.15 N	7.6 mm	2.2 mm	15.1 ± 2.6 mm

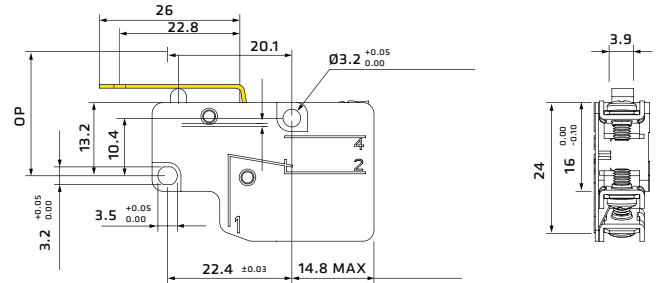
MFI.STP SERIES - SCREW TERMINAL + PLATE PROTECTION MICRO SWITCHES

MFI.5STP: Lever

1NC-1NO
SNAP ACTION



Screw Terminals
Plate Protection



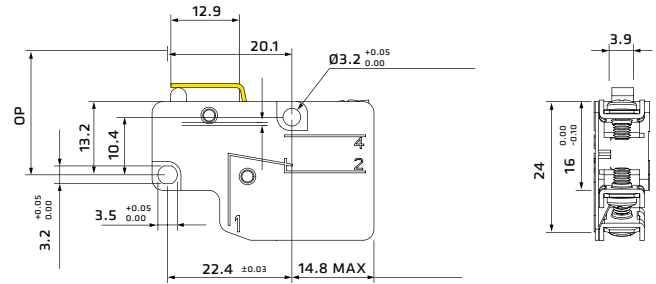
TYPE	OF max	RF min	PT max	OT min	OP ±1mm
MFI.5STP	3.2 N	1.2 N	3.3 mm	0.8 mm	15.1 ± 1.2 mm

MFI.6STP: Short Lever

1NC-1NO
SNAP ACTION



Screw Terminals
Plate Protection



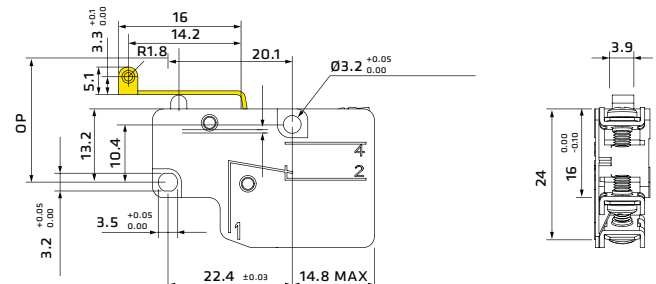
TYPE	OF max	RF min	PT max	OT min	OP ±1mm
MFI.6STP	5.1 N	1.9 N	1.6 mm	0.6 mm	15.1 ± 0.6 mm

MFI.7STP: Roller lever L=16mm

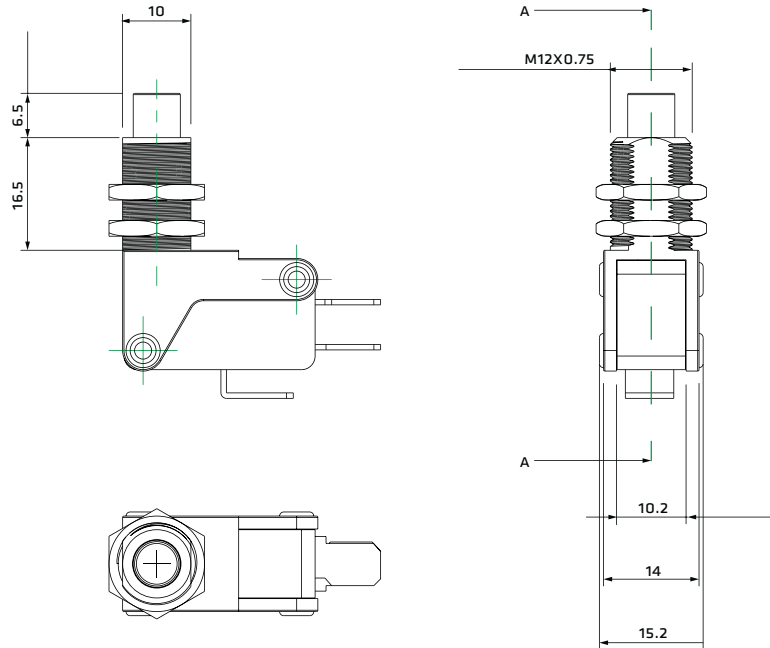
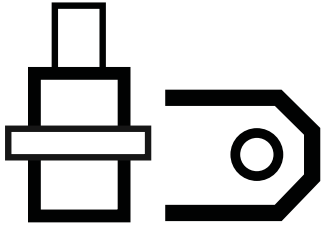
1NC-1NO
SNAP ACTION



Screw Terminals
Plate Protection



TYPE	OF max	RF min	PT max	OT min	OP ±1mm
MFI.7STP	4.5 N	1.9 N	1.8 mm	0.8 mm	21.1 ± 0.6 mm

MFI.T - MICRO SWITCH WITH TOWER ACTUATOR AND THREADED FLANGE

GENERAL DATA

Operating temperature	Min -25°C (-18°F) / Max 85°C (+185°F)
Mechanical life expectancy	1x10 ⁶ cycles min
Electrically life expectancy	5x10 ⁵ cycles min
Termination type	Tower actuator - Faston Terminals

ELECTRICAL DATA

Rated Thermal current (I _{th})	8A
Rated insulation voltage (U _i)	250V
Rated impulse withstand voltage (U _{imp})	1500V
Rated operating current (I _e)	8A - 250V resistive load, 3A - 250V inductive load
Pollution degree	2
Protection against electric shock	Class II



INSTALLATION OF SINGLE SWITCHES WITH SAFETY FUNCTION

- Use only switches with the symbol
- Connect the safety circuit to the NC normally closed contacts (11-12, 21-22, 31-32).
- Actuate the switch at least up to the positive opening travel.
- The actuation system must be able to exert a force that is greater than positive opening force.
- The device must be affixed in compliance with EN ISO 14119.

Whenever the machine guard is opened and during the whole operating travel, the switch must be pressed directly or through a rigid connection. Only in this way the positive opening of normally closed NC contacts (11-12, 21-22, 31-32) is guaranteed.

In safety applications with only one switch for each guard, the switches must never be activated by a release or through a non rigid connection.

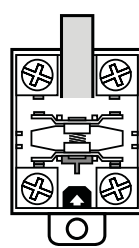
According to EN ISO 14119 paragraph 5.2 letter h: “the position sensors must not be used as mechanical stop”.

- The actuator must not exceed the maximum travel.
- The guard must not use the switch head as a mechanical stop.
- The actuator must not strike directly against the switch head.

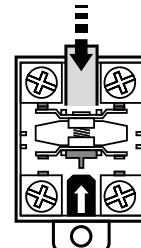
CONTACT ELEMENTS

CONTACT ELEMENTS ACTING INDEPENDENTLY (OR SNAP ACTION)

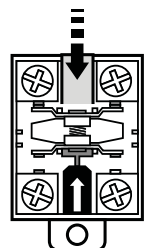
Is defined, under IEC947-5-1/EN6094-5-1, the contact element of a device for manual or automatic control circuits where the speed of motion of the contact is virtually independent of the speed of motion of the actuator. Commonly called “quick trigger” the electrical behavior of these elements means that the contact is in order even in the slow movements of the actuator. These contact elements have position doesn't coincide with the release of drive (differential stroke).



Contact in stand-by



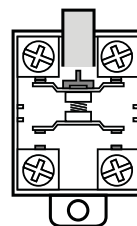
Contact activated



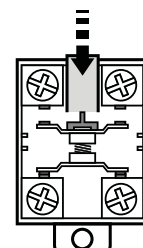
Apertura positiva

CONTACT ELEMENTS DIRECT ACTING (OR SLOW ACTION)

Is defined, under IEC947-5-1/EN6094-5-1, the contact element of a device for manual or automatic control circuits where speed of movement of the contact depends on the speed of motion of the actuator.



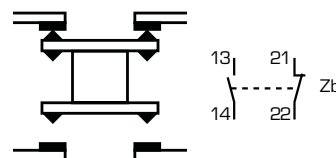
Contact in stand-by



Contact activated

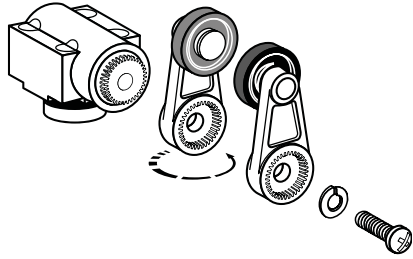
CONTACT BLOCKS CONFIGURATION (according to IEC/EN60947-5-1)

Contact blocks with 4 terminals must be marked with Zb symbols as shown in the picture.



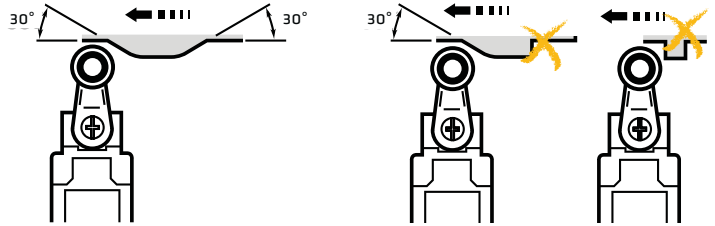
The two moving contacts are electrically insulated.

**OPERATING LEVER
REVERSE MOUNTING**



FTN - FTN1R - FTNG Series

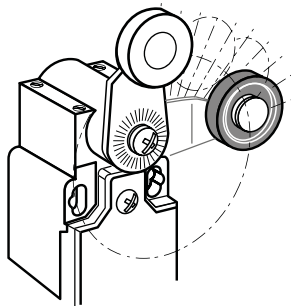
**PLUNGER OR ROLLER LEVER
RECCOMENDED APPLICATION**



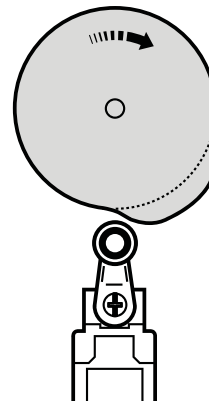
Right

Wrong

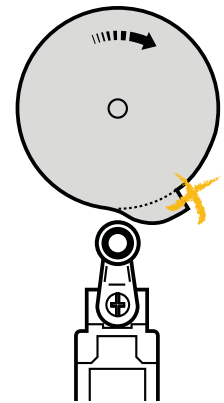
**RESETTING POSITION
SETTING THROUGH 18° STEPS**



FTN - FTN1R - FTNG Series

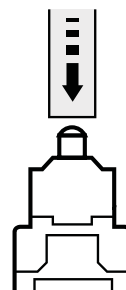
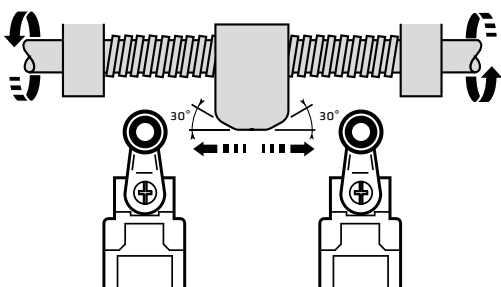


Right

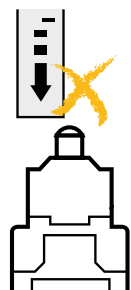


Wrong

SNAP ACTIONS RECCOMENDED



Right



Wrong

In case of a relatively slow movement of the actuator,
SNAP ACTION CONTACTS ARE RECCOMENDED.

GIOVENZANA INTERNATIONAL B.V.

1077 XX Amsterdam, The Netherlands
WTC Strawinskylaan 1105
Phone: +31(0) 20.4413576 - Fax: +31(0) 20.4413456
E-mail: giovenzana@giovenzana.com

G.T.R. LLC

127051, Moscow, Russian Federation
Likhov lane, h.3, b.2, office 101
Phone: +7.495.6991296 / +7.499.9228548
E-mail: gtr@giovenzana.com

GIOVENZANA CONTROLS INDIA Pvt. Ltd.

Near Mindspace, Malad West - 400064 Mumbai
A-203, Knox Plaza, Chincholi, Off Link Road
Phone: +91.22.42640071
E-mail: ggindia@giovenzana.com

GIOVENZANA do Brasil

São Paulo - Brasil
Rua Enxovia, 472 cj1904
Cep. 04711-030; Vila São Francisco
Phone: +55 11 3360-6840 / 11 3530-5316
E-mail: logistic.brasil@giovenzana.com

Branch

DUBAI U.A.E. P.O. Box 262146 - J.A.F.Z.A. 15, Jebel Ali Free Zone
Phone: +971.4.8870788 - Fax: +971.4.8870787
E-mail: uae@giovenzana.com



www.giovenzana.com