



Plana: Button 2M lightable ring pilot white

14022

Plana / Devices / Basic devices

Button 2M lightable ring pilot white

Interchangeable 2-module button, with lightable ring pilot lamp, white

Product Status

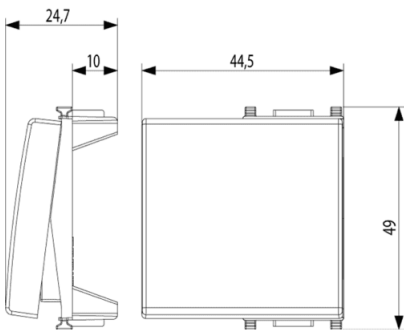
3 - Active

Minimum order quantity

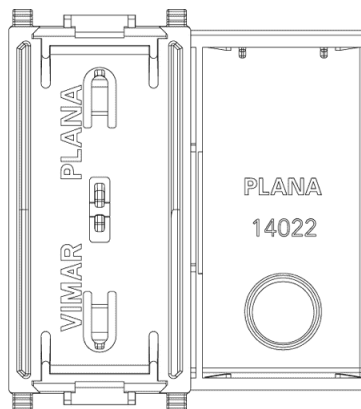
20 NR



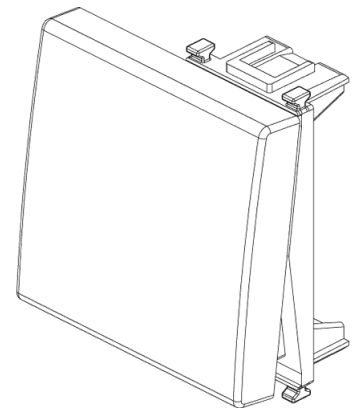
Drawings



Space view



Backside view



3D View

Technical data

- **Class group:** Domestic switching devices
- **Class:** Control element/cover plate for domestic
- **Model:** Single rocker
- **Imprint/indication:** Without imprint
- **Utilization:** Switch/push button
- **Suitable for touch sensor conn:** No
- **Type of fastening:** Clamp mounting
- **Monitoring window/light outlet:** Yes
- **Material:** Plastic
- **Material quality:** Thermoplastic
- **Halogen free:** Yes
- **Surface protection:** Untreated
- **Surface finishing:** Glossy
- **Colour:** White
- **RAL-number (akin):** 9003
- **With label area:** No
- **With exchangeable lens/symbol:** No
- **Suitable for degree of protect:** IP40



Certifications

- 01. IMQ - Italy ([download](#))
- 04. NF - France ([download](#))
- 09. VDE - Germany ([download](#))
- 29. QCERT - Colombia ([download](#))
- 96. Electrotechnical expert ([download](#))

Packaging



8 007352 112407

Code 8007352112407
Quantity 1 NR
Dim. 4.9x4.5x2.5 [cm]
Weight 10.4 [g]



8 007352 112414

Code 8007352112414
Quantity 2 NR
Dim. 5.1x2.8x5.3 [cm]
Weight 24.87 [g]



8 007352 112421

Code 8007352112421
Quantity 20 NR
Dim. 14.4x11.6x6 [cm]
Weight 290.47 [g]



8 007352 626041

Code 8007352626041
Quantity 240 NR
Dim. 36.5x33x13.5 [cm]
Weight 3,905 [g]

Legal

Vimar reserves the right to change at any time and without notice the characteristics of the products reported. Installation should be carried out by qualified staff in compliance with the current regulations regarding the installation of electrical equipment in the country where the products are installed. For the terms of use of the information on the product info sheet see [conditions of use](#).