



## WGC-350x150

WGC-350x150, Residual current transformer

Code: P10159.

- > Usefull diam.(mm): 350 x 150
- > Cable (m): 0
- > Max. Current (A): 2000

### Description

---

This new range features a series of improvements intended in particular for installing units on switchboards. Along with the usual attachment elements, this unit can be installed on DIN rails using an accessory, which facilitates its installation.

The residual current transformers of the **WGC** series offer better immunity to the transient current spikes that usually trigger the residual current protection. The residual current transformers of the **WGC** series have been designed to operate with the relays of the **WGC** series. The sensitivity (trip current) of the transformer-relay assembly is established by the associated relay.



## WGC-350x150

Residual current transformers

Code: P10159.

### Specifications

#### AC power supply, insulation

Pulse test (kV)	3 kV
-----------------	------

#### Mechanical characteristics

Size (mm) width x height x depth	479 x 279 x 50.2 (mm)
Envelope	Self-extinguishing polycarbonate UL 94 V0
Fastening	DIN rail with accessory
Connection type	Screw terminal (Pz type)
Weight (kg)	6,8

#### Environmental characteristics

Protection class	IP 20 (Terminals) IEC 60529
Relative humidity (without condensation)	5 ... 95 %
Operating temperature	-20 ... + 70 °C

#### Current measurement circuit

Dynamic current (Idyn)	2,5 Ith
Permanent thermal current (Icth)	60 A
Thermal short-circuit current (Ith)	1,8 kA / 1s
Transformation ratio	30 / 0,06 A
Maximum operating voltage (Um)	720 V

#### Standards

Electrical safety, Maximum height (m)	2000
Electrical safety, Installation category	CAT III
Standards	IEC 60664-1, IEC 60664-3, IEC 60044-1

#### Measurement accuracy

Accuracy	10 ... 15 %
----------	-------------



## WGC-350x150

Residual current transformers

Code: P10159.

### WGC

Residual current transformer

CODE	TYPE	Usefull diam.(mm)
P10181.	WGC-20-SC	20
P10182.	WGC-30-SC	30
P10131.	WGS-20	20
P10132.	WGS-30	30
P10151.	WGC-25	25
P10152.	WGC-35	35
P10153.	WGC-55	55
P10154.	WGC-80	80
P10155.	WGC-110	115
P10156.	WGC-140	140
P10157.	WGC-180	180
P10158.	WGC-220x105	220 x 105
P10159.	WGC-350x150	350 x 150
P10160.	WGC-500x200	500 x 200

UL certification for all WGC and WGS models, on demand

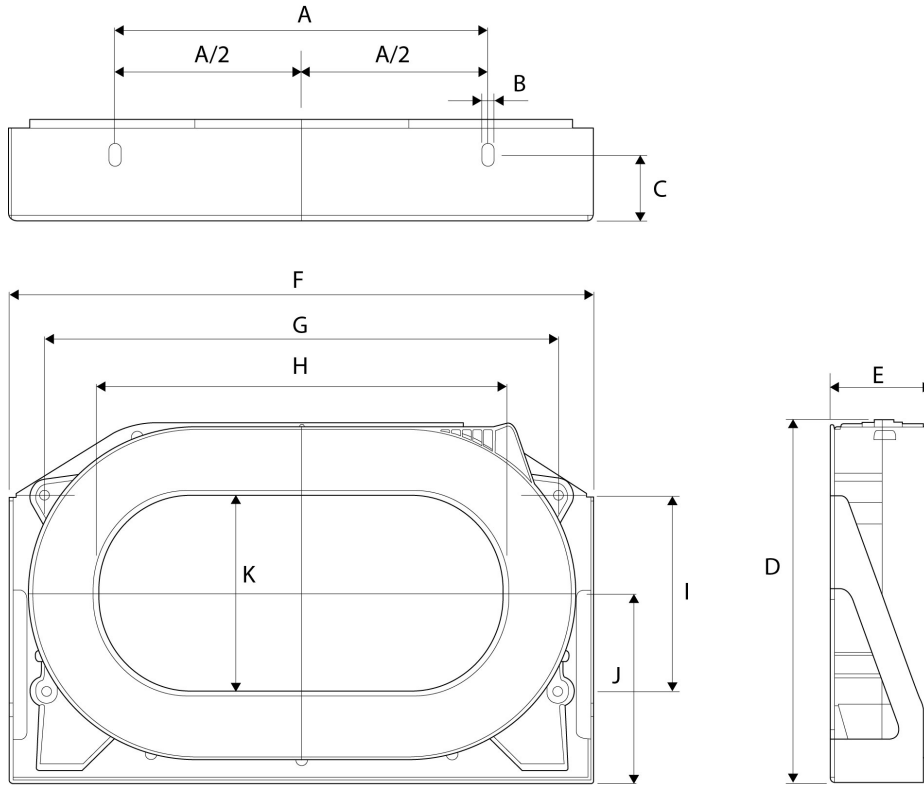
## Dimensions



# WGC-350x150

Residual current transformers

Code: P10159.



Type	A	B	C	D	E	F	G	H	I	J	K
WGC 220x105	200	7	35	195	54,2	314	275	220	105	102	105
WGC 350x150	340	7	30	279	50,2	479	430	350	165	143	150
WGC 500x200	460	7	40	306	64	614	550	500	180	155	200