



WGC-80

WGC-80, Residual current transformer

Code: P10154.

- > Usefull diam.(mm): 80
- > Cable (m): 0
- > Max. Current (A): 250

Description

This new range features a series of improvements intended in particular for installing units on switchboards. Along with the usual attachment elements, this unit can be installed on DIN rails using an accessory, which facilitates its installation.

The residual current transformers of the **WGC** series offer better immunity to the transient current spikes that usually trigger the residual current protection. The residual current transformers of the **WGC** series have been designed to operate with the relays of the **WGC** series. The sensitivity (trip current) of the transformer-relay assembly is established by the associated relay.



WGC-80

Residual current transformers

Code: P10154.

Specifications

AC power supply, insulation

| | |
|-----------------|------|
| Pulse test (kV) | 3 kV |
|-----------------|------|

Mechanical characteristics

| | |
|----------------------------------|---|
| Size (mm) width x height x depth | 124.5 x 130 x 50 (mm) |
| Envelope | Self-extinguishing polycarbonate UL 94 V0 |
| Fastening | DIN rail with accessory (see code) |
| Connection type | Screw terminal (Pz type) |
| Weight (kg) | 0,288 |

Environmental characteristics

| | |
|--|-----------------------------|
| Protection class | IP 20 (Terminals) IEC 60529 |
| Relative humidity (without condensation) | 5 ... 95 % |
| Operating temperature | -20 ... + 70 °C |

Current measurement circuit

| | |
|-------------------------------------|-------------|
| Dynamic current (Idyn) | 2,5 Ith |
| Permanent thermal current (Icth) | 60 A |
| Thermal short-circuit current (Ith) | 1,8 kA / 1s |
| Transformation ratio | 30 / 0,06 A |
| Maximum operating voltage (Um) | 720 V |

Standards

| | |
|--|---------------------------------------|
| Electrical safety, Maximum height (m) | 2000 |
| Electrical safety, Installation category | CAT III |
| Standards | IEC 60664-1, IEC 60664-3, IEC 60044-1 |

Measurement accuracy

| | |
|----------|-------------|
| Accuracy | 10 ... 15 % |
|----------|-------------|



WGC-80

Residual current transformers

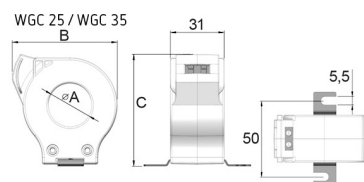
Code: P10154.

WGC
Residual current transformer

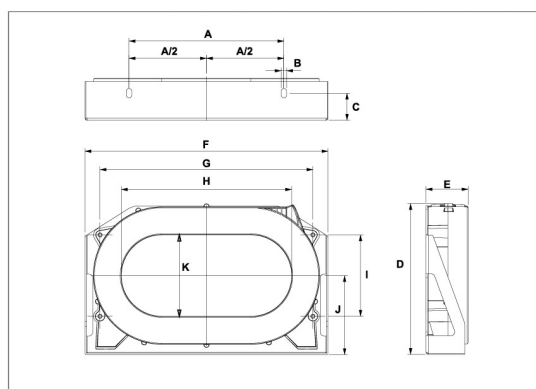
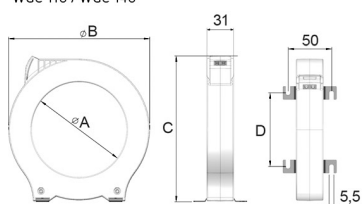
| CODE | TYPE | Usefull diam.(mm) |
|---------|-------------|-------------------|
| P10181. | WGC-20-SC | 20 |
| P10182. | WGC-30-SC | 30 |
| P10131. | WGS-20 | 20 |
| P10132. | WGS-30 | 30 |
| P10151. | WGC-25 | 25 |
| P10152. | WGC-35 | 35 |
| P10153. | WGC-55 | 55 |
| P10154. | WGC-80 | 80 |
| P10155. | WGC-110 | 115 |
| P10156. | WGC-140 | 140 |
| P10157. | WGC-180 | 180 |
| P10158. | WGC-220x105 | 220 x 105 |
| P10159. | WGC-350x150 | 350 x 150 |
| P10160. | WGC-500x200 | 500 x 200 |

UL certification for all WGC and WGS models, on demand

Dimensions



WGC 55 / WGC 80
WGC 110 / WGC 140



| | A | B | C | D | E | F | G | H | I | J | K |
|-------------|-----|---|----|-----|------|-----|-----|-----|-----|-----|-----|
| WGC 220x105 | 200 | 7 | 35 | 195 | 54,2 | 314 | 275 | 220 | 105 | 102 | 105 |
| WGC 350x150 | 340 | 7 | 30 | 279 | 50,2 | 479 | 430 | 350 | 165 | 143 | 150 |
| WGC 500x200 | 460 | 7 | 40 | 306 | 64 | 614 | 550 | 500 | 180 | 155 | 200 |

| Modelo | A | B | C | D |
|---------|-----|-------|------|------|
| WGC 25 | 25 | 60,5 | 64 | |
| WGC 35 | 35 | 70,5 | 75,5 | |
| WGC 55 | 55 | 92 | 98 | 38 |
| WGC 80 | 80 | 124,5 | 130 | 60 |
| WGC 110 | 110 | 163 | 168 | 84,5 |
| WGC 140 | 140 | 201 | 206 | 110 |
| WGC 180 | 180 | 252 | 256 | 144 |