

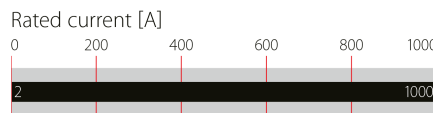
3-phase Line Reactor to reduce mains disturbances



- 4% 3-phase line reactor for 400 V network
- Reducing harmonics on the mains side
- Reducing commutation notches
- Limiting inrush current
- Reliable and economical solution for mitigating mains disturbances



Performance indicators



Approvals



(UL recognized up to 640 A)

Features and benefits

- Ensure reliability, performance and a long service life of electrical consumers
- Reduction of mains harmonics and commutation notches
- Help to meet international power quality standards
- Protection of motor drive electronics and dc link capacitors against mains transients
- Reduction of inrush and peak currents
- Improvement of conducted LF immunity
- Prevention from nuisance tripping caused by power line voltage spikes
- Improvement of true power factor

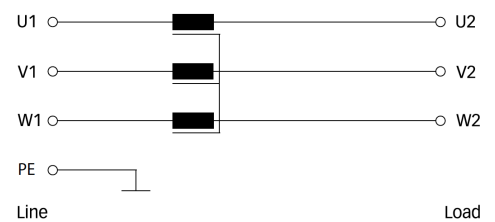
Technical specifications

Nominal operating voltage	3x 380 to 480 VAC
Rated operating voltage	3x 340 to 530 VAC
Impedance	4% @ 400 V, 50 Hz and rated rms current
Insulation class	UL electrical insulation system SCH-200(N)
Protection category	IP 00
Cooling	Natural cooling AN
Overload capability	1.6x rated current for 1 minute, once per hour
Ambient temperature range	-40°C to +45°C fully operational +45°C to +100°C derated operation* Note: derating according NEC 310-15(C)
Transportation and storage temperature	-40°C to +100°C transport and storage
Flammability corresponding to	UL 94V-0
Design corresponding to	UL 61800-5-1, EN 61558-2-20, EN 60076-6
Lifetime (calculated)	20 years
Earthing System	TN, TT, IT
Climatic category	40/100/21 (IEC 60068-1)
Pollution degree	PD3
Overvoltage category	OV III (IEC 60664-1 / UL 61800-5-1)

Typical applications

- Motor drives and various adjustable speed drive systems, such as:
- HVAC
- Robots
- Machinery
- Process automation equipment

Typical electrical schematic



*I_{derated} = I_{nominal} * √((T_{max}-T_{amb})/(T_{max}-T_{nominal})) = I_{nom} * √((100°C-T_{amb})/55°C)

Reactor selection table

Reactor	Rated current	Rated Power *		Rated Power**	Inductance value	Typical power losses	Terminal	Weight	
	@ 45°C	@ 400V	[kW]	@ 480V				[kg]	[lbs]
	[A]	[kW]	[kW]	[HP]	[mH]	[W]		[kg]	[lbs]
RWK 3044-2-88-E0XXX	1.76	1.1	1.1/1.5	1.5/1.6	16.7	23	88	0.49	2.1
RWK 3044-3.5-88-E0XXX	3.53	2.2	2.2/3	2.9/4	8.3	32	88	0.89	2
RWK 3044-6.5-88-E0XXX	6.42	4	4/5.5	5.4/7.4	4.6	47	88	1.2	2.6
RWK 3044-9-88-E0XXX	8.82	5.5	5.5/7.5	7.4/10.1	3.3	61	88	1.7	3.7
RWK 3044-12-88-E0XXX	12.0	7.5	7.5/11	10.1/14.8	2.44	69	88	2.4	5.3
RWK 3044-18-89-E0XXX	17.6	11	11/15	14.8/20.1	1.67	103	89	3.4	7.5
RWK 3044-24-89-E0XXX	24.1	15	19	25.5	1.22	106	89	4.9	10.8
RWK 3044-30-92-E0XXX	29.7	18.5	22	29.5	0.99	124	92	5.1	11.2
RWK 3044-35-92-E0XXX	35.3	22	30	40.2	0.83	151	92	5.4	11.9
RWK 3044-48-92-E0XXX	48.1	30	37	49.6	0.61	172	92	8.8	19.4
RWK 3044-59-92-E0XXX	59.3	37	45	60.34	0.50	206	92	10.2	22.5
RWK 3044-72-99-E0XXX	72.2	45	55	73.8	0.41	294	99	10.3	22.7
RWK 3044-88-99-E0XXX	88.2	55	55/75	73.8/100.6	0.33	257	99	11.4	25.1
RWK 3044-120-99-E0XXX	120	75	90	120.7	0.24	324	99	13.8	30.4
RWK 3044-140-99-E0XXX	144	90	110	147.5	0.20	399	99	15.7	34.6
RWK 3044-180-99-E0XXX	176	110	132	177	0.17	456	99	20.0	44.1
RWK 3044-210-99-E0XXX	212	132	160	214.6	0.14	553	99	24.5	54
RWK 3044-260-99-E0XXX	257	160	200	268.2	0.11	593	99	27.5	60.6
RWK 3044-320-99-E0XXX	321	200	250	335.3	0.092	747	99	34.5	76.1
RWK 3044-400-99-E0XXX	401	250	315	422.4	0.073	1055	99	45.5	100.3
RWK 3044-510-99-E0XXX	505	315	355	476.1	0.058	1069	99	49.5	109.1
RWK 3044-570-99-E0XXX	569	355	400	536.4	0.052	1181	99	67.5	148.8
RWK 3044-640-99-E0XXX	642	400	450	603.5	0.046	1116	99	68.5	151
RWK 3044-800-99-E0XXX	802	500	550/630	737.6/844.8	0.037	1280	99	103	227.1
RWK 3044-1000-99-E0XXX	1010	630	750	1005.77	0.029	1167	99	110	242.5

* Calculated at rated current, 400VAC and cos phi=0.90

** Calculated at rated current, 480VAC and cos phi=0.89

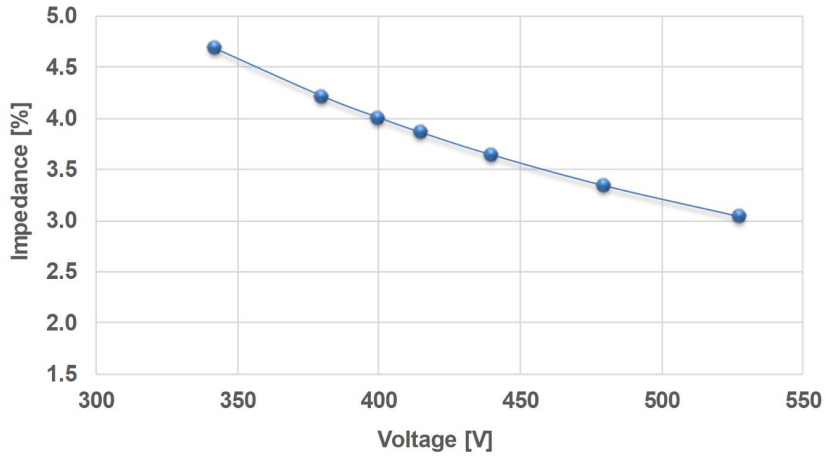
Terminals

Type	-88	-89	-92	-99
Ring cable shoe	-	-	M6	M8/M10/M12
Fork cable shoe	M3.5 width max. 6.4mm	M4 width max. 8.0mm	-	-
Flex wire AWG	22-16	16-14	-	-
Rec. torque	0.78 Nm	1.76 Nm	-	-

Earth Screw

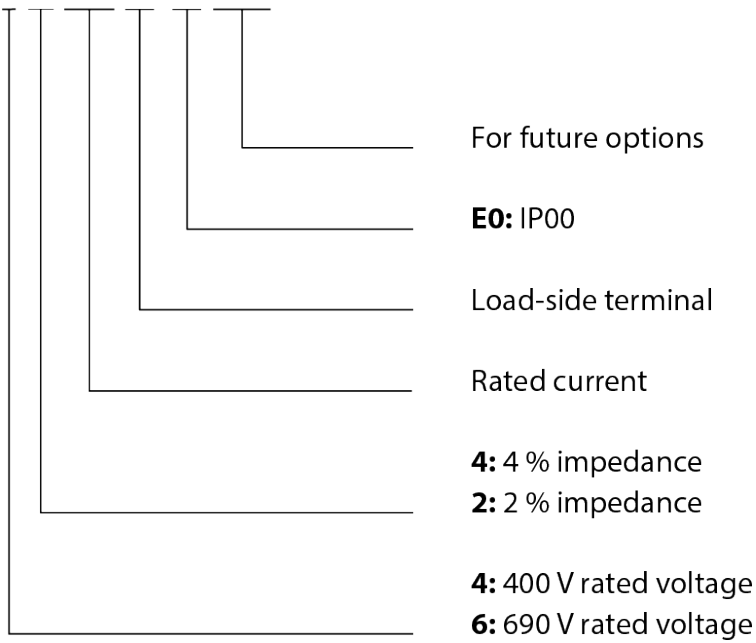
Type	Size	Torque	
		[Nm]	
		[lbs-in]	
2A	M2.5	0.3	2.7
3.5-12A	M3	0.6	5.3
18-35A	M4	1.7	15
48-120A	M6	4	35.4
140-1000A	M8	9	79.7

RWK 3044 Impedance vs. Voltage

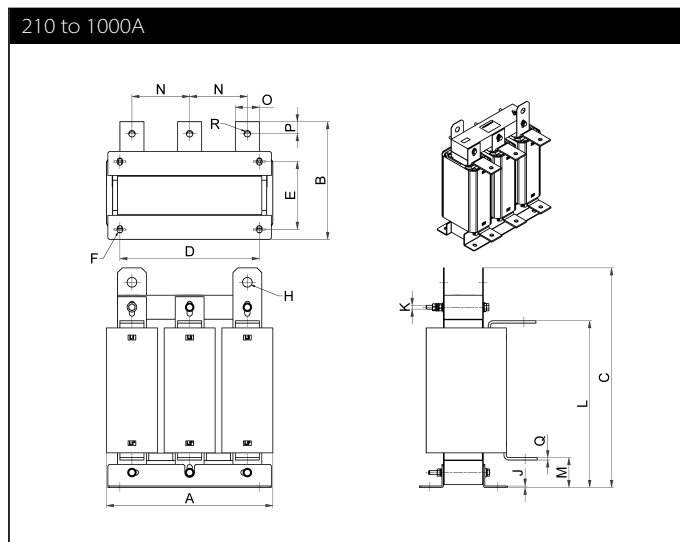
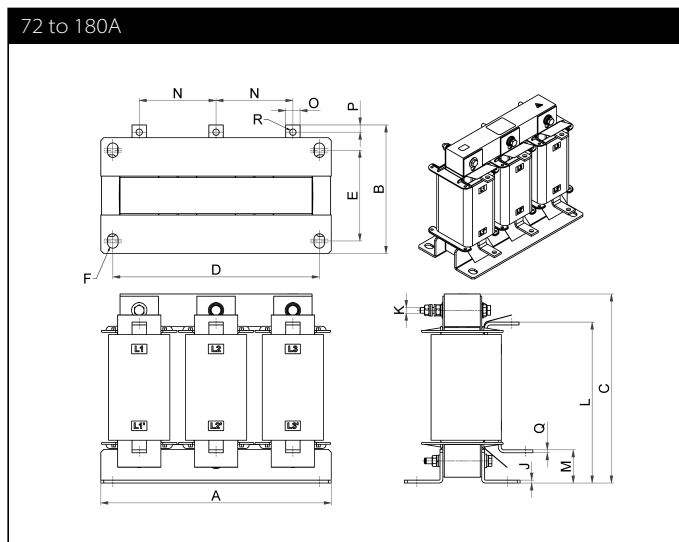
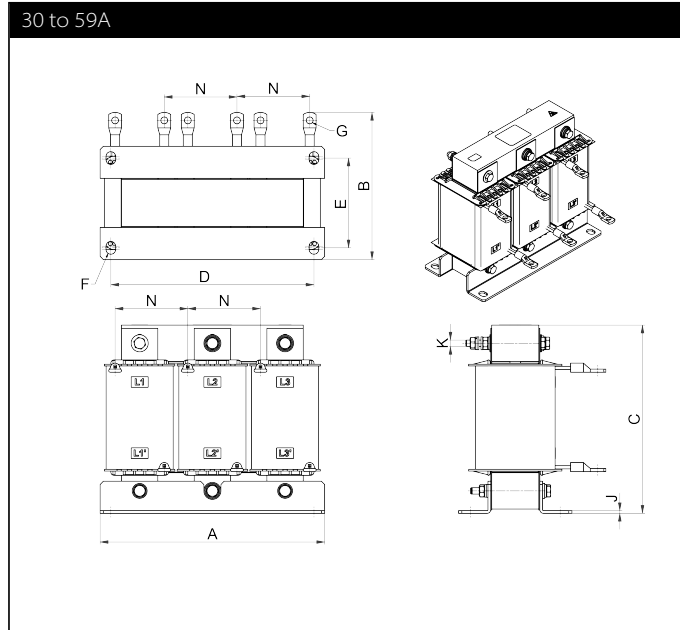
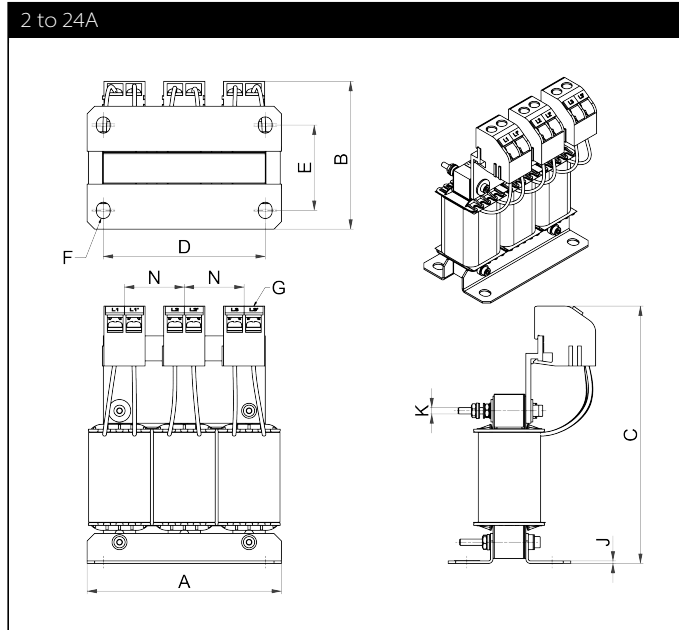


Product selector

RWK 30n m-xxx-yy-E0 XXX



Mechanical data



Dimensions in mm*

RWK 3044	A	B±5	C±3	D	E	F	G	H	J	K	L±5	M±5	N±5	O	P	Q	R
2	78	59	103.1	65	34.2	6.5x5.5	-88		1	M2.5			24±1				
3.5	96	62.5	117.9	77	37.5	6.5x5.5	-88		1.5	M3			31±1				
6.5	125	69	136.1	110	44.8	8x5.5	-88		2	M3			41.5±1				
9	125	69	136.8	110	44.8	8x5.5	-88		2	M3			41.5±1				
12	125	78.5	136.4	110	54.5	8x5.5	-88		2	M3			41.5±1				
18	155	79	159.7	130	56.1	12x9	-89		2.5	M4			50±1				
24	155	94	159	130	71	12x9	-89		2.5	M4			50±1				
30	155	128	132	130	71	12x9	ø6.4		2.5	M4			50±4				
35	155	128	132.7	130	71	12x9	ø6.4		2.5	M4			50±4				
48	190	140	156.6	170	77.5	12x9	ø6.4		2.5	M6			60±4				
59	210	143	176	190	84	12x9	ø6.4		2.5	M6			68±4				
72	230	122.7	191	210	77.5	12x9			2.5	M6	163	30	76±4	15	7.5	3	ø6.6
88	240	133.9	196.7	215	94.5	15x11			3	M6	167.5	34.5	80±4	15	7.5	3	ø6.6
120	240	152.3	196.7	215	104.5	15x11			3	M6	168.5	34.5	80±4	20	10	4	ø9
140	265	148.9	217.5	240	99.7	15x11			3	M8	183	39	88±4	20	10	4	ø9
180	291	171.1	235	260	117.5	15x11			3	M8	198.5	39.5	96±4	25	12.5	4	ø11
210	290	189.4	234.2	260	131	15x11		n/a	3	M8	201.7	42.7	96	25	12.5	4	ø11
260	290	194.6	287.2	260	136	15x11		ø20	3	M8	206.2	42.2	100	25	12.5	4	ø11
320	340	198.9	333.5	290	121	15x11		ø20	3	M8	237.5	52.5	112	30	15	5	ø11
400	360	190.4	422.2	310	121	15x11		ø20	3	M8	297	62	125	30	15	5	ø11
510	360	203.7	422.6	310	121	15x11		ø20	3	M8	297	62	125	40	20	5	ø13.5
570	346±5	244	457	290	141	15x11		ø20	3	M8	347	62	120	50	25	5	ø13.5
640	347±5	244.8	457	290	141	15x11		ø20	3	M8	347	62	120	50	25	5	ø13.5
800	365±5	296.3	474	310	185	15x11		ø20	3	M8	373.5	55.5	130	50	25	8	ø13.5
1000	376±5	309	474	310	185	15x11		ø20	3	M8	379	61	130	50	25	8	ø13.5

* General tolerance: ISO 2768-v

Dimensions in inches*

RWK 3044	A	B±0.2	C±0.12	D	E	F	G	H	J	K	L±0.2	M±0.2	N±0.2	O	P	Q	R
2	3.07	2.32	4.06	2.56	1.35	0.26x0.22	-3.46		0.04	M2.5			0.94±0.04				
3.5	3.78	2.46	4.64	3.03	1.48	0.26x0.22	-3.46		0.06	M3			1.22±0.04				
6.5	4.92	2.72	5.36	4.33	4.76	0.31x0.22	-3.46		0.08	M3			1.63±0.04				
9	4.92	2.72	5.39	4.33	1.76	0.31x0.22	-3.46		0.08	M3			1.63±0.04				
12	4.92	3.09	5.37	4.33	2.15	0.31x0.22	-3.46		0.08	M3			1.63±0.04				
18	6.1	3.11	6.29	5.12	2.21	0.47x0.35	-3.5		0.1	M4			1.97±0.04				
24	6.1	3.7	6.26	5.12	2.8	0.47x0.35	-3.5		0.1	M4			1.97±0.04				
30	6.1	5.04	5.2	5.12	2.8	0.47x0.35	ø6.4		0.1	M4			1.97±0.16				
35	6.1	5.04	5.22	5.12	2.8	0.47x0.35	ø6.4		0.1	M4			1.97±0.16				
48	7.48	5.51	6.17	6.69	3.05	0.47x0.35	ø6.4		0.1	M6			2.36±0.16				
59	8.27	5.63	6.93	7.48	3.31	0.47x0.35	ø6.4		0.1	M6			2.68±0.16				
72	9.06	4.83	7.52	8.27	3.05	0.47x0.35			0.1	M6	6.42	1.18	2.99±0.16	0.59	0.3	0.12	ø6.6
88	9.45	5.27	7.74	8.46	3.72	0.59x0.43			0.12	M6	6.59	1.36	3.15±0.16	0.59	0.3	0.12	ø6.6
120	9.45	6	7.74	8.46	4.11	0.59x0.43			0.12	M6	6.63	1.36	1.15±0.16	0.79	0.39	0.16	ø9
140	10.43	5.86	8.56	9.45	3.93	0.59x0.43			0.12	M8	7.2	1.54	3.46±0.16	0.79	0.39	0.16	ø9
180	11.46	6.74	9.25	10.24	4.63	0.59x0.43			0.12	M8	7.81	1.56	3.78±0.16	0.98	0.49	0.16	ø11
210	11.42	7.46	9.22	10.24	5.16	0.59x0.43		n/a	0.12	M8	7.94	1.68	1.54	0.98	0.49	0.16	ø11
260	11.42	7.66	11.31	10.24	5.35	0.59x0.43		ø20	0.12	M8	8.12	1.66	1.56	0.98	0.49	0.16	ø11
320	13.39	7.83	13.13	11.42	4.76	0.59x0.43		ø20	0.12	M8	9.35	2.07	1.68	1.18	0.59	0.2	ø11
400	14.17	7.5	16.62	12.2	4.76	0.59x0.43		ø20	0.12	M8	11.69	2.44	1.66	1.18	0.59	0.2	ø11
510	14.17	8.02	16.64	12.2	4.76	0.59x0.43		ø20	0.12	M8	11.69	2.44	2.07	1.57	0.79	0.2	ø13.5
570	13.62±0.2	9.61	17.99	11.42	5.55	0.59x0.43		ø20	0.12	M8	13.66	2.44	2.44	1.97	0.98	0.2	ø13.5
640	13.66±0.2	9.64	17.99	11.42	5.55	0.59x0.43		ø20	0.12	M8	13.66	2.44	2.44	1.97	0.98	0.2	ø13.5
800	14.37±0.2	11.67	18.66	12.2	7.28	0.59x0.43		ø20	0.12	M8	14.7	2.19	2.44	1.97	0.98	0.31	ø13.5
1000	14.8±0.2	12.17	18.66	12.2	7.28	0.59x0.43		ø20	0.12	M8	14.92	2.4	2.44	1.97	0.98	0.31	ø13.5

* General tolerance: ISO 2768-v



Headquarters, global innovation and development

Switzerland

Schaffner Group

Industrie Nord
Nordstrasse 11e
4542 Luterbach
T +41 32 681 66 26
info@schaffner.com



Sales and application centers

China

Schaffner EMC Ltd. Shanghai

T20-3 C, No 565 Chuangye Road,
Pudong district
201201 Shanghai
T +86 21 3813 9500
cschina@schaffner.com
www.schaffner.com.cn

Finland

Schaffner Oy

Sauvonrinne 19 H
08500 Lohja
T +358 10 567 2855
finlandsales@schaffner.com

France

Schaffner EMC S.A.S.

16-20 Rue Louis Rameau
95875 Bezons
T +33 1 34 34 30 60
F +33 1 39 47 02 28
francesales@schaffner.com

Germany

Schaffner Deutschland GmbH

Schoemperlenstrasse 12B
76185 Karlsruhe
T +49 721 56910
F +49 721 569110
germanysales@schaffner.com

India

Schaffner India Pvt. Ltd

REGUS WORLD TRADE CENTRE
WTC, 22nd Floor Unit No 2238, Brigade
Gateway Campus, 26/1, Dr. Rajkumar Road
Malleshwaram (W)
560055 Bangalore
T +91 80 67935355
indiasales@schaffner.com

Italy

Schaffner EMC S.r.l.

Via Ticino, 30
20900 Monza (MB)
T +39 039 21 41 070
italysales@schaffner.com

Japan

Schaffner EMC K.K.

Taiju-Seimei Sangenjaya Bldg.
1-32-12, Kamiuma, Setagaya-ku
154-0011 Tokyo
T +81 3 5712 3650
F +81 3 5712 3651
japansales@schaffner.com
www.schaffner.jp

Singapore

Schaffner EMC Pte Ltd.

#05-09, Kg Ubi Ind. Estate
408705 Singapore
T +65 6377 3283
F +65 6377 3281
singaporesales@schaffner.com

Spain

Schaffner EMC España

Calle Caléndula 93, Miniparc III, Edificio E
El Soto de Moraleja, Alcobendas
28109 Madrid
T +34 917 912 900
F +34 917 912 901
spainsales@schaffner.com

Sweden

Schaffner EMC AB

Östermalmstorg 1
114 42 Stockholm
T +46 8 5050 2425
swedensales@schaffner.com
www.schaffner.com

Switzerland

Schaffner EMV AG

Industrie Nord
Nordstrasse 11e
4542 Luterbach
T +41 32 681 66 26
switzerlandsales@schaffner.com

Taiwan R.O.C.

Schaffner EMV Ltd.

20 Floor-2, No 97, Section 1, XinTai 5th Road
22175 XiZhi District New Taipei City 22175
T +886 2 2697 5500
F +886 2 2697 5533
taiwansales@schaffner.com
www.schaffner.com.tw

Thailand

Schaffner EMC Co. Ltd.

Northern Region Industrial Estate
67 Moo 4 Tambon Ban Klang
Amphur Muangng P.O. Box 14
51000 Lamphun
T +66 53 58 11 04
F +66 53 58 10 19
thailandsales@schaffner.com

United Kingdom

Schaffner Ltd.

5 Ashville Way, Molly Millars Lane
Wokingham
RG41 2PL Berkshire
T +44 118 9770070
F +44 118 9792969
uksales@schaffner.com

USA

Schaffner EMC Inc.

52 Mayfield Avenue
Edison, New Jersey
T +1 732 225 9533
F +1 732 225 4789
usasales@schaffner.com
www.schaffnerusa.com

Schaffner North America

6722 Thirlane Road
24019 Roanoke, Virginia
T +1 276 228 7943
F +1 276 228 7953

Schaffner North America

823 Fairview Road
24382 Wytheville, Virginia
T +1 276 228 7943
F +1 276 228 7258

To find your local partner within Schaffner's global network: www.schaffner.com

© 2018 Schaffner Group

The content of this document has been carefully checked and understood. However, neither Schaffner nor its subsidiaries assume any liability whatsoever for any errors or inaccuracies of this document and the consequences thereof. Published specifications are subject to change without notice. Product suitability for any area of application must ultimately be determined by the customer. In all cases, products must never be operated outside their published specifications. Schaffner does not guarantee the availability of all published products. This disclaimer shall be governed by substantive Swiss law and resulting disputes shall be settled by the courts at the place of business of Schaffner Holding AG. Latest publications and a complete disclaimer can be downloaded from the Schaffner website. All trademarks recognized.