



P03

PENDANT STATION

IMPORTANT INFORMATION	2
TECHNICAL CARACTERISTICS	3
STANDARD VERSIONS	4
STANDARD VERSIONS WIRING	5
CHARACTERISTICS OF CONTACT BLOCKS FOR STANDARD VERSIONS	6
CUSTOM KIT	9
OPERATORS FOR CUSTOM KIT	10
CONTACT BLOCK FOR CUSTOM KIT	12
CUSTOM PENDANT STATION ASSEMBLY	13
CHARACTERISTICS OF ADDITIONAL CONTACT BLOCKS	17



Before use, read this booklet carefully to acquaint yourself with the features of the product. This booklet is an integral part of the product and therefore must be kept until the product is dismissed.



Giovenzana International B.V. reserves the right to change the features and data shown in this document at any time and without notice. This document cannot therefore be considered a contract with third parties.



P03 pendant stations are designed and manufactured according to IEC international standard and EN European regulations.



Improper installation or tampering can cause serious damage to people and property, therefore installation and maintenance must be carried out by specialized and authorized personnel.



The device is not intended for use in environments with a potentially explosive atmosphere or in the presence of corrosive substances and in salt fog.



Two push button pendant stations for small hoist, in single row:

- Bi-directional, mechanically interlocked
- IP65 double insulation IEC / EN 60529
- Laser engraved symbols comply with EN 60204-1, FEM 9.941
- Shock proof and heat resistant
- Single speed or two speed motor
- Direct motor control 1 kW - 1 speed
- Available in UL/CSA requirements
- Kit version available

IMPORTANT INFORMATION

THE INFORMATION SHOWN ON THIS PAGE IS ESSENTIAL FOR THE CORRECT INTERPRETATION OF WHAT HAS BEEN EXPOSED IN THIS BOOKLET.

Symbols

The following symbols are used in this booklet:



Read carefully before use.



Information note.



ATTENTION, the information highlighted by this symbol is very important.

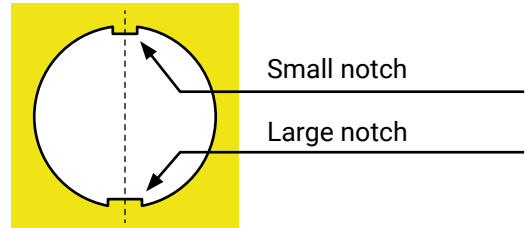


DANGER, the information highlighted by this symbol concerns environments with a potentially explosive atmosphere or the presence of corrosive substances and salt fog.



This symbol highlights the recommended tightening torques to guarantee the degree of protection of the product and to prevent it from breaking.

Orientation and type of operators



The operators' housing holes follow the diagram shown in the figure (**vertical**).



ATTENTION

IT IS DANGEROUS TO OPERATE THE PUSH-BUTTONS AT THE SAME TIME

Tools required (not supplied)



Phillips screwdriver



Flathead screwdriver



Torque screwdriver with its flat and Phillips heads

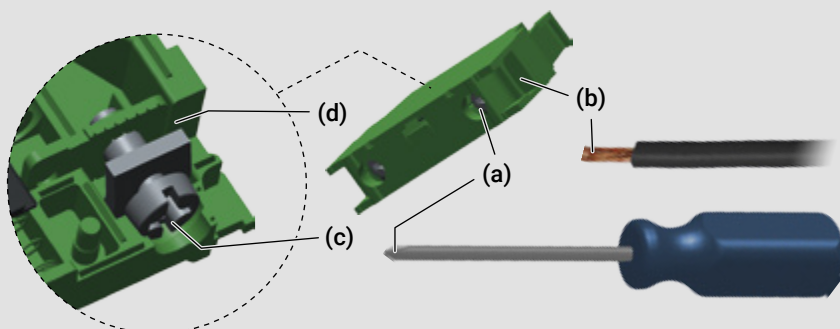


Scissors



PCF key (to be purchased separately)

Contact block with screw terminals



Loosen the screw (a) with a Phillips screwdriver and insert the end of the cable into the opening (b). Tighten the screw with a torque screwdriver to lock the end of the cable. In detail, the action on the screw (c) loosens the stop (d) and allows you to insert the end of the cable.



TIGHTENING TORQUE

0.8 N×m / 7.2 lb×in (EN60947-1)
7.5 lb×in / 0.85 N×m (UL508)

TECHNICAL CHARACTERISTICS

Pendant station technical data

Compliant to standards	IEC / EN60947-5-1	
Material	ABS	
Material group	II	
Pollution class	3	
Temperature	operating	-25°C ... +70°C
	storage	-30°C ... +70°C
Climate resistance	IEC68 part 2-3	hot damp
	IEC68 part 2-30	unsettled hot damp
Cable entry	rubber cable sleeve Ø 7 ... 18 mm	
Weight	P03.1	440 g
	P03.2	450 g
	P03.3 / P03CD / P03D2	460 g

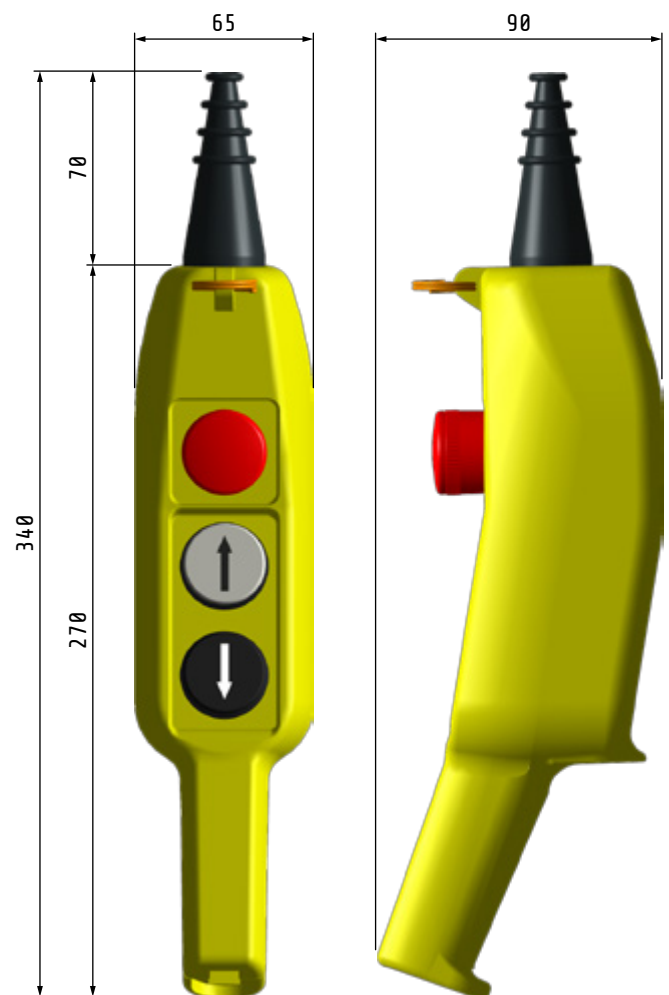
Versions

- P03.1 - P03.2 - P03.3 - P03CD
- P03.D2

Compliance and certifications

- 2014/35/UE
- 2011/65/UE RoHS
- EN 60947-1 (2007/A1 : 2011/A2 : 2014)
- EN 60947-5-1 (2004/A1 : 2009/AC : 2004/AC : 2005 EN ISO 13850 2015)
- EN 60204-1 (2006/A1 : 2009)
- EN-ISO 13849-1 (2015)
- EN ISO 13849-2 (2012)
- EN 60529 (1991/A1 : 2000/A2 : 2013)













Dimensions



Dimensions in mm
Drawing NOT in scale

STANDARD VERSIONS



P03.1	P03.2	P03.3	P03CD
Single speed	Single speed	Single speed	Single speed *
 PL004001 (NC)	 PL004001 (NC)	 PL004001 (NC)	 PL004001CD (NC) PL004001CD (NC) PL004002CD (NO)
 PL004002 (NO)	 PL004002 (NO) PL004002 (NO)	 PL004002 (NO) PL004002 (NO) PL004002 (NO)	 PL004001CD (NC) PL004002CD (NO) PL004002CD (NO)
 PL004002 (NO)	 PL004002 (NO) PL004002 (NO)	 PL004002 (NO) PL004002 (NO) PL004002 (NO)	 PL004001CD (NC) PL004002CD (NO) PL004002CD (NO)

* High power contacts direct motor control 1 kW 1 ph

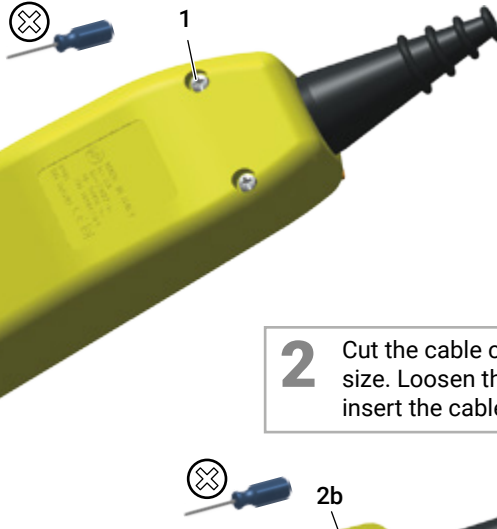


P03D2
Double speed
 PL004001 (NC)
 PL004010 (NO-NO)
 PL004010 (NO-NO)

 PL004001 (NC) red	 PL004001CD (NC) red
 PL004002 (NO) green	 PL004002CD (NO) green
 PL004010 (NO-NO) green	

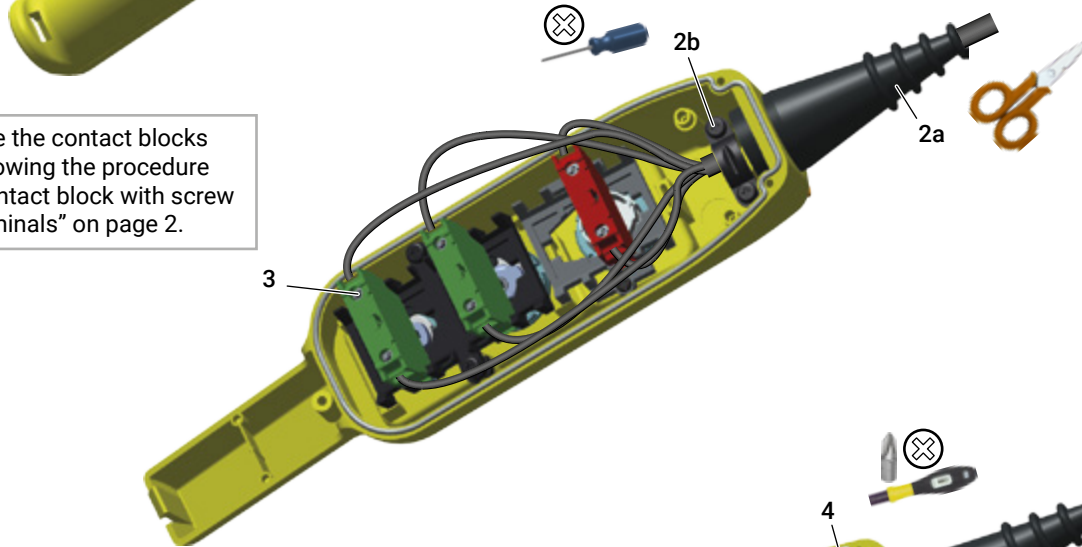
STANDARD VERSIONS WIRING

1 Loosen the screws to remove the bottom of the pendant station.

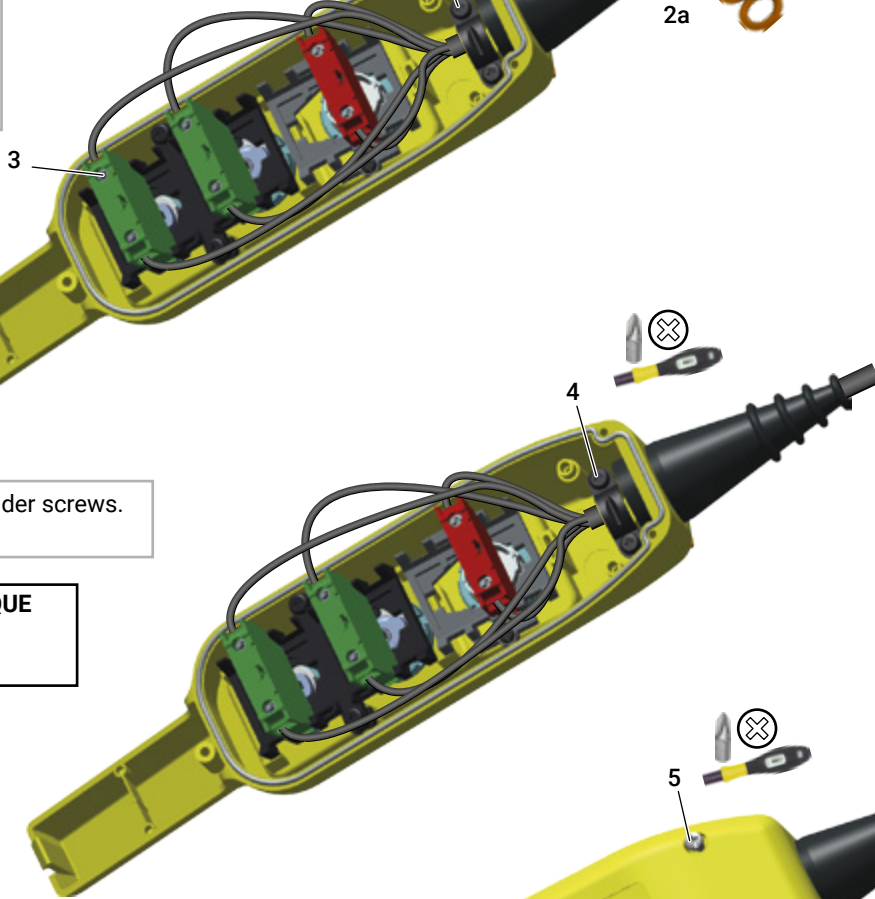


ATTENTION
Is shown the wiring of a push-button panel with only one contact element per key. The procedure is identical for 2 or 3 contact elements per key.

2 Cut the cable clamp (a) to match the selected cable size. Loosen the screws (b) of the cable holder and insert the cable into the cable clamp.



3 Wire the contact blocks following the procedure "Contact block with screw terminals" on page 2.



4 Tighten the cable holder screws.

TIGHTENING TORQUE
1.2-1.4 N×m
10.6-12.4 lb×in

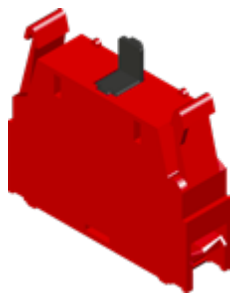
ATTENTION
The sections that can be connected to the contact blocks are shown in the paragraph "CHARACTERISTICS OF CONTACT BLOCKS FOR STANDARD VERSIONS" on page 6.

5 Replace the bottom of the pendant station and screw it in place.

TIGHTENING TORQUE
1.3-1.7 N×m
11.5-15 lb×in

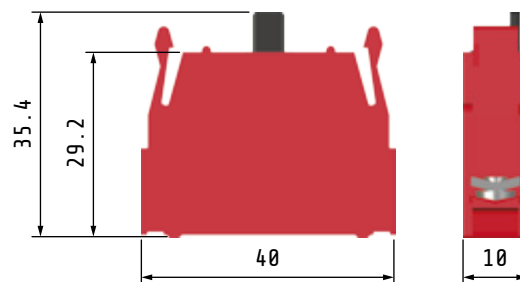
CHARACTERISTICS OF CONTACT BLOCKS FOR STANDARD VERSIONS

PL004001

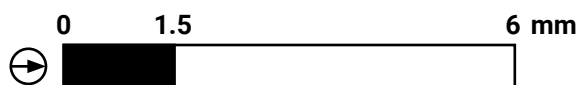


NC
Red

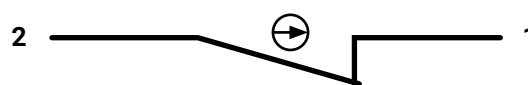
Contact block
with screw
terminals



Functions



Scheme



Rated insulation voltage	Ui	690 V *								
Rated impulse withstand voltage	Uimp	4 kV *								
Frequency		50/60 Hz *								
Rated thermal current	Ith	16 A *								
Rated operating current	Ithe	10 A								
Rated operating current		Ie								
AC-15 alternate current		24	60	120	240	400	440	500	690	V
		16*	12	8	6	4.5	3.5	3*	1	A
DC-13 direct current		24	48	60	110	220	V			
		2*	1.2	0.85	0.4	0.25*	A			
Conditional short circuit withstand current		1000 A *								
Fuses rating gG		10 A * - 500 V								
Contact insulation resistance		≤ 25 mΩ								
Switching mechanism		slow break double gap contacts								
Positive operation		NC contact block ⊖								
Operating force		4 N								
Electric durability AC-15		1	2	3	A					
		1.5	0.5	0.25	millions of cycles					
Terminal type		M3.5 screw								
Terminal capacity		No. 1 or 2 flexible and solid conductor 1... 2.5 mm ²								

UL508 characteristics

Rated insulation voltage	Ui	10 A - 600 V ac / 2.5 A - 125 V dc	
Rated impulse withstand voltage	Uimp	A600 - Q600	

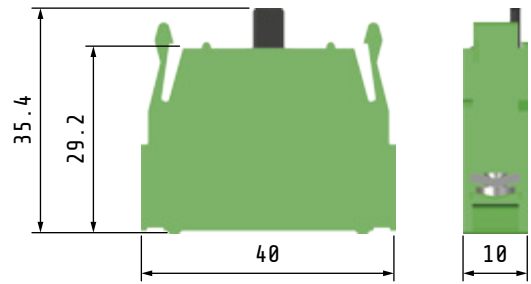
* IMQ approved values

PL004002

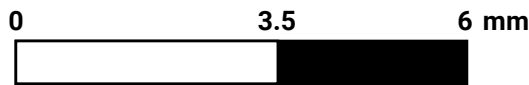


NO
Green

Contact block
with screw
terminals



Functions



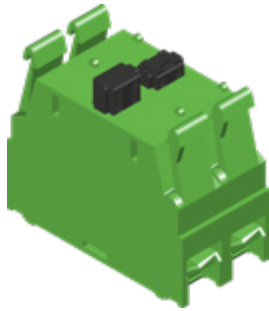
Scheme



Rated insulation voltage	Ui	690 V *								
Rated impulse withstand voltage	Uimp	4 kV *								
Frequency		50/60 Hz *								
Rated thermal current	Ith	16 A *								
Rated operating current	Ithe	10 A								
Rated operating current		Ie								
AC-15 alternate current		24	60	120	240	400	440	500	690	V
		16*	12	8	6	4.5	3.5	3*	1	A
DC-13 direct current		24	48	60	110	220	V			
		2*	1.2	0.85	0.4	0.25*	A			
Conditional short circuit withstand current		1000 A *								
Fuses rating gG		10 A * - 500 V								
Contact insulation resistance		≤ 25 mΩ								
Switching mechanism		slow break double gap contacts								
Operating force		4 N								
Electric durability AC-15		1	2	3	A					
		1.5	0.5	0.25	millions of cycles					
Terminal type		screw M3.5								
Terminal capacity		No. 1 or 2 flexible and solid conductor 1... 2.5 mm ²								
UL508 characteristics										
Rated insulation voltage	Ui	10 A - 600 V ac / 2.5 A - 125 V dc								
Rated impulse withstand voltage	Uimp	A600 - Q600								

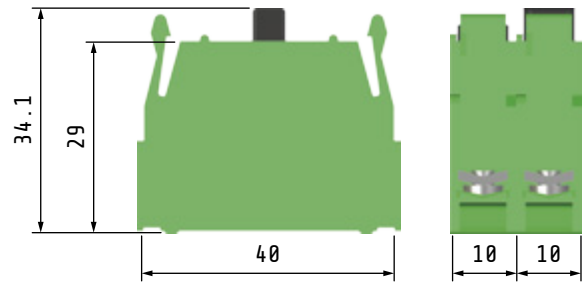
* IMQ approved values

PL004010



NO
NO
Green

Contact block
with screw
terminals



Functions		Scheme
0	3.5	6 mm
0	3.5	6 mm

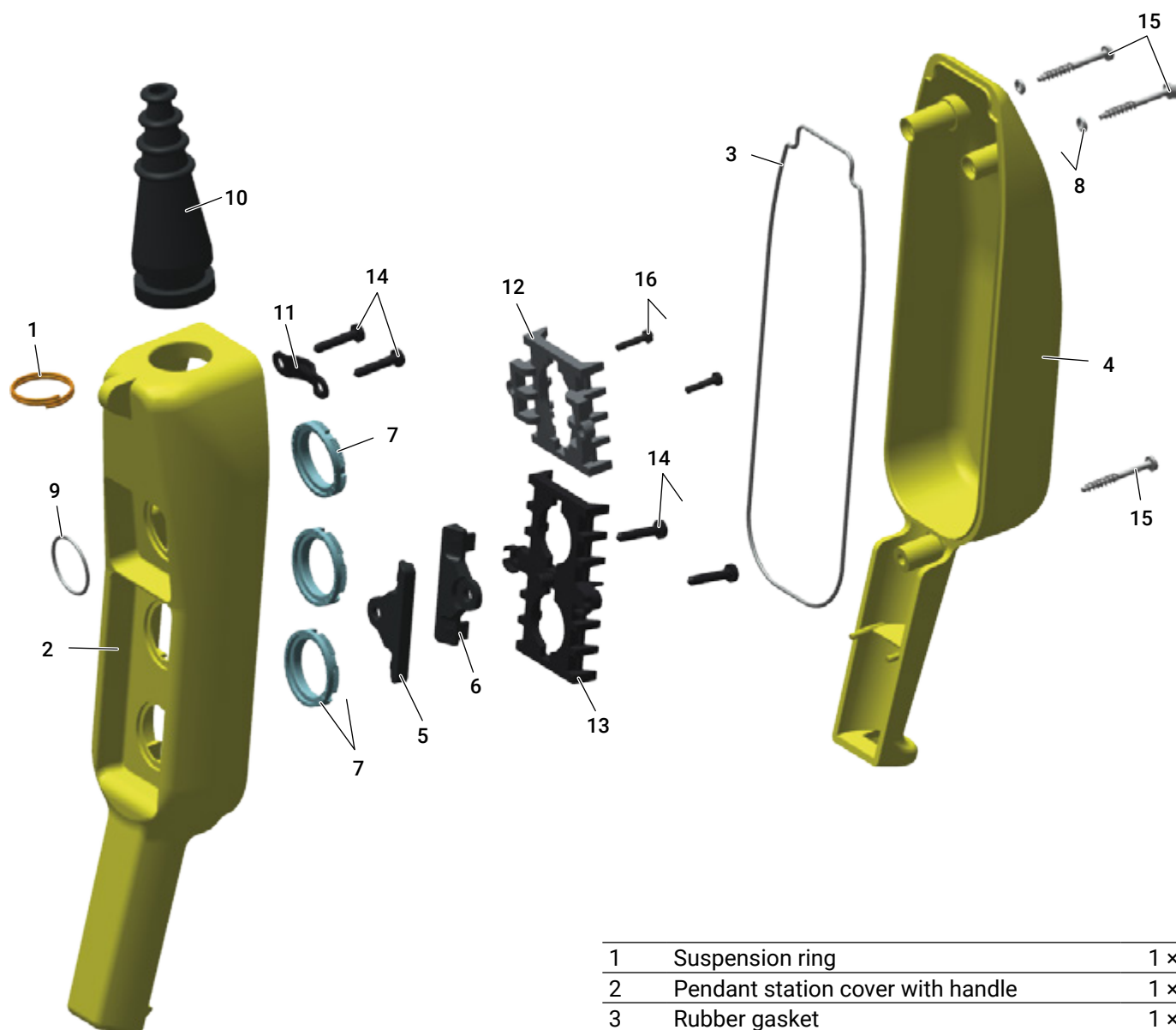


Rated insulation voltage	Ui	690 V *
Rated impulse withstand voltage	Uimp	4 kV *
Frequency		50/60 Hz *
Rated thermal current	Ith	16 A *
Rated operating current	Ithe	10 A
Rated operating current		
	Ie	
AC-15 alternate current		24 60 120 240 400 440 500 690 V 16* 12 8 6 4.5 3.5 3* 1 A
DC-13 direct current		24 48 60 110 220 V 2* 1.2 0.85 0.4 0.25* A
Conditional short circuit withstand current		1000 A *
Fuses rating gG		10 A * - 500 V
Contact insulation resistance		≤ 25 mΩ
Switching mechanism	1 st speed 2 nd speed	slow break double gap contacts snap break
Operating force		4 N
Electric durability AC-15		1 2 3 A 1.5 0.5 0.25 millions of cycles
Terminal type		screw M3.5
Terminal capacity		No. 1 or 2 flexible and solid conductor 1... 2.5 mm ²
UL508 characteristics		
Rated insulation voltage	Ui	10 A - 600 V ac / 2.5 A - 125 V dc
Rated impulse withstand voltage	Uimp	A600 - Q600

* IMQ approved values

CUSTOM KIT

P03K



1	Suspension ring	1 x
2	Pendant station cover with handle	1 x
3	Rubber gasket	1 x
4	Pendant station base	1 x
5	Bottom mechanical interlock 16 A	1 x
6	Top mechanical interlock 16 A	1 x
7	Threaded ring nut M22x1	3 x
8	O-ring	2 x
9	O-ring	1 x
10	Cable clamp	1 x
11	Cable holder	1 x
12	4 spring contact block support	1 x
14	Coupling plate with 2 holes	1 x
12	Crosshead self-tapping screw	4 x
13	Self-tapping screw 4x30 partial thread	3 x
14	Crosshead self-tapping screw 3x13	2 x

Components excluded that must be ordered separately:

- Operators
- Contact blocks

OPERATORS FOR CUSTOM KIT

Operators without wording (code PL...)

Pair with the contact block with the matching label

A



PL005019



PL005004



PL005020



PL005005



PL005031



PL005016



PL005027



PL005012



PL005028



PL005013



PL005032



PL005017



PL005023



PL005008



PL005024



PL005009



PL005033



PL005018



PL005001



PL005002



PL005003

Symbols according to FEM 9.941. Customized engraving available on minimum quantity request.

Double speed operators (code PL...)

Pair with the contact block with the matching label

C



PL005021



PL005006



PL005025



PL005010



PL005029



PL005014

Symbols according to FEM 9.941. Customized engraving available on minimum quantity request.

Neutral operatorsi (code PL...)

Pair with the contact block with the matching label

A



PL005034 (blue)



PL005035 (white)



PL005036 (black)



PL005037 (red)



PL005038 (green)



PL005039 (yellow)

Gems

Pair with the contact block with the matching label

B



PL008001 (red)



PL008002 (green)



PL008003 (yellow)



PL008004 (blue)



PL008005 (white)

Mushrooms and selectors

Pair with the contact block with the matching label

A

Emergency mushroom Ø40 momentary



PL013003

Emergency mushroom Ø40 key unlock



PPFN1C4NX

Emergency mushroom Ø30 rotation unlock



PL013001 with vision

Emergency mushroom Ø30 rotation unlock



PL013002 standard

Handle selector



PL007001 0-1 / 90°
PL007002 1-0-2 / 45°
PL007003 1>0<2 / 45°

Handle selector with removable key in "0"



PL006001 0-1 / 90°
PL006002 1-0-2 / 45°
PL006004 1>0<2 / 45°

Other components

/

Hole plug



PL015001

Fixing key



PCF

CONTACT BLOCK FOR CUSTOM KIT

Contact blocks

Pair with the operator
with the matching label

A



NC
PL004001



NO
PL004002



NC
PL004001CD



NO
PL004002CD

Lights

Pair with the operator
with the matching label

B



PL0045L12 (AC/DC 12 V)
PL0045L24 (AC/DC 24 V)
PL0045L48 (AC/DC 48 V)
PL0045L110 (AC/DC 110 V)
PL0045L220 (AC 220 V)



PL004007

Contact blocks

Pair with the operator
with the matching label

C

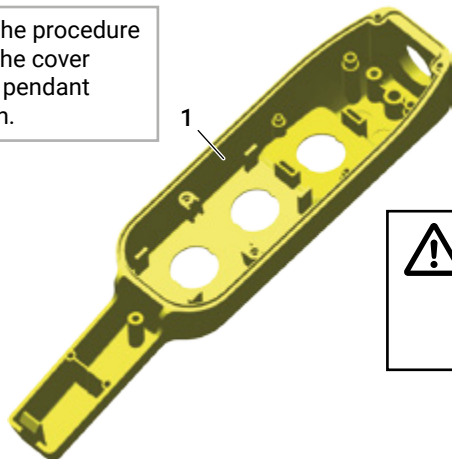


double step NO+NO
PL004010

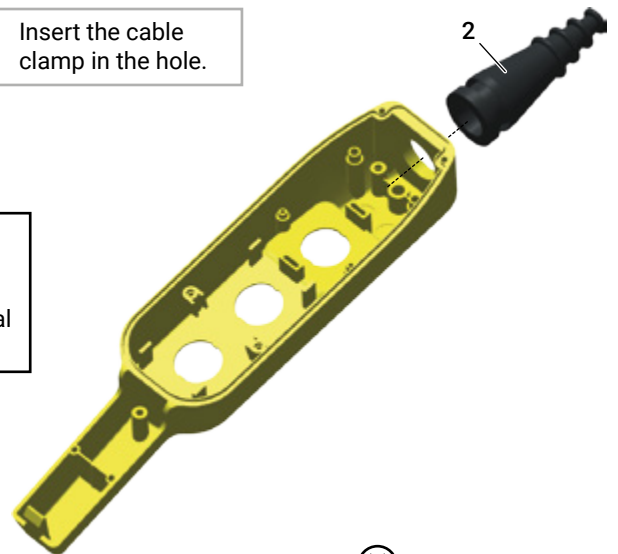
CUSTOM PENDANT STATION ASSEMBLY

Cable clamp and cable holder

1 Start the procedure from the cover of the pendant station.

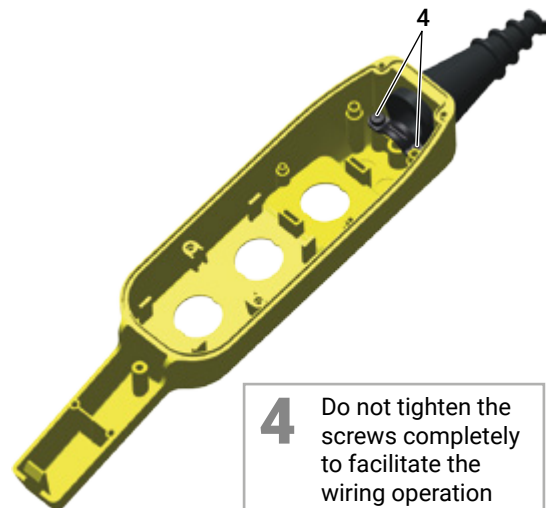
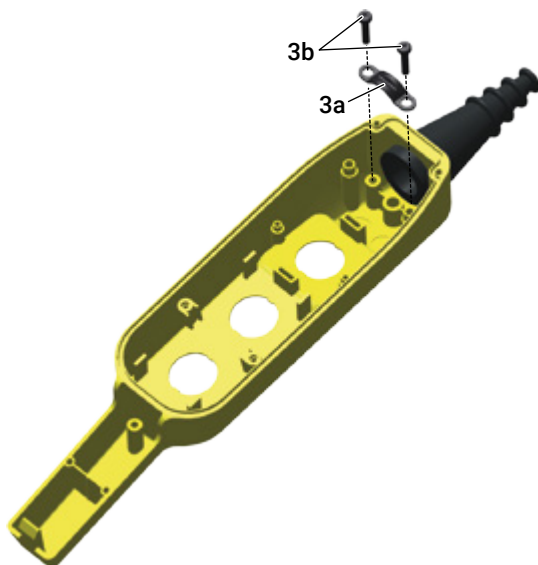


2 Insert the cable clamp in the hole.



ATTENTION
Place carefully the cable clamp to ensure the seal of the panel.

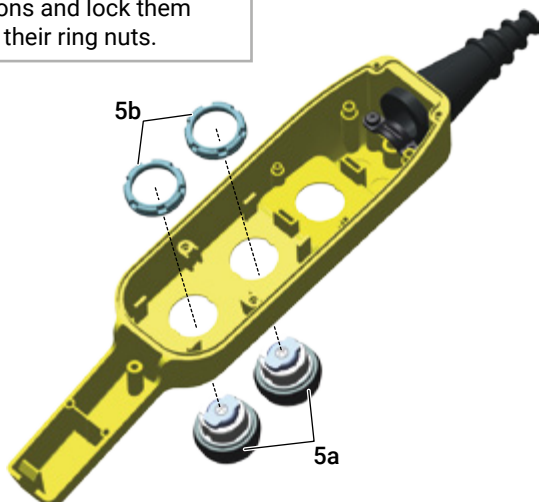
3 Place the cable holder (a) and the 2 fixing screws (b).



4 Do not tighten the screws completely to facilitate the wiring operation (optional).

Operators

5 Position the selected buttons and lock them with their ring nuts.

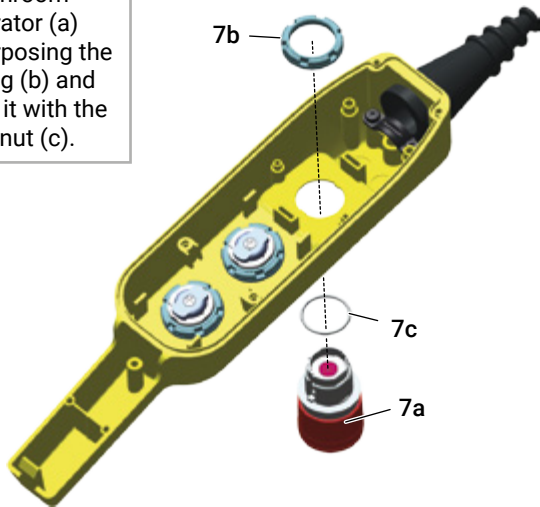


6 Tighten the ring nuts with the PCF key.



TIGHTENING TORQUE
2.25-2.8 N×m
20-25 lb×in

7 Position the mushroom operator (a) interposing the o-ring (b) and lock it with the ring nut (c).



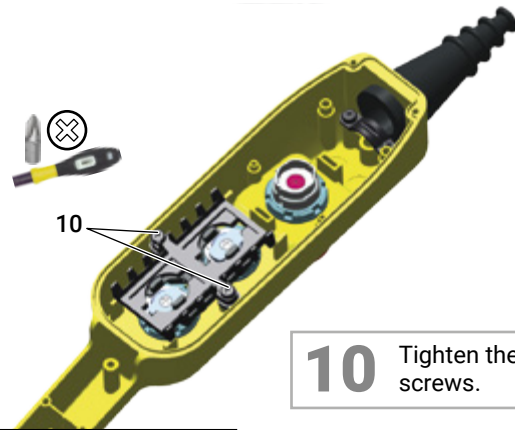
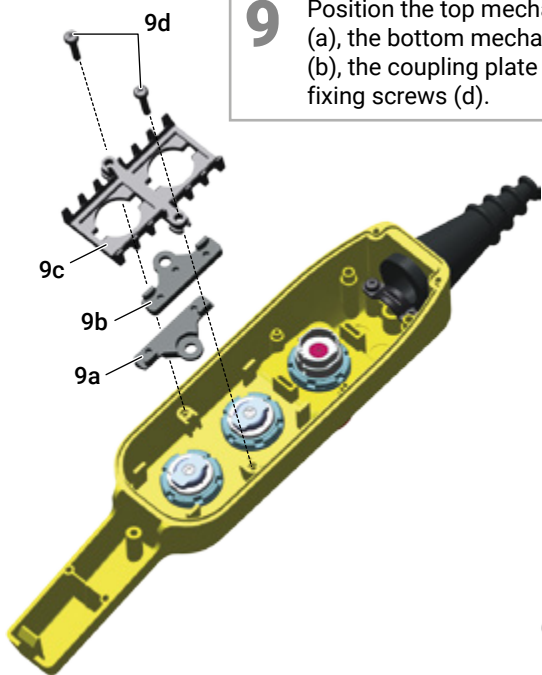
8 Tighten the ring nut with the PCF key.



TIGHTENING TORQUE
2.25-2.8 N×m
20-25 lb×in

Coupling plates

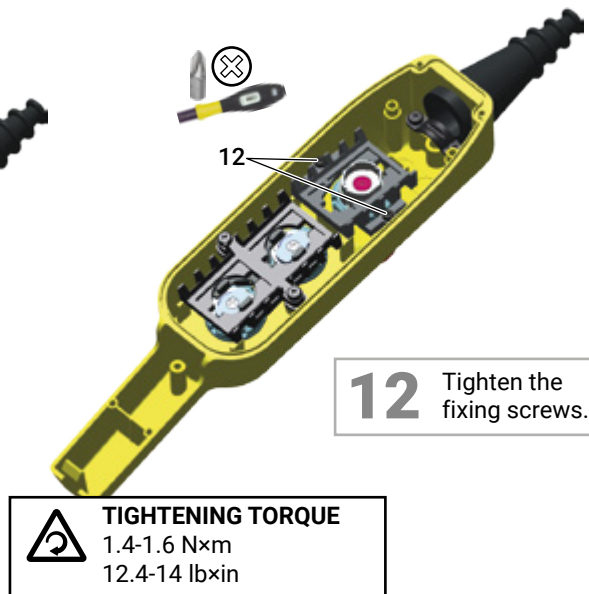
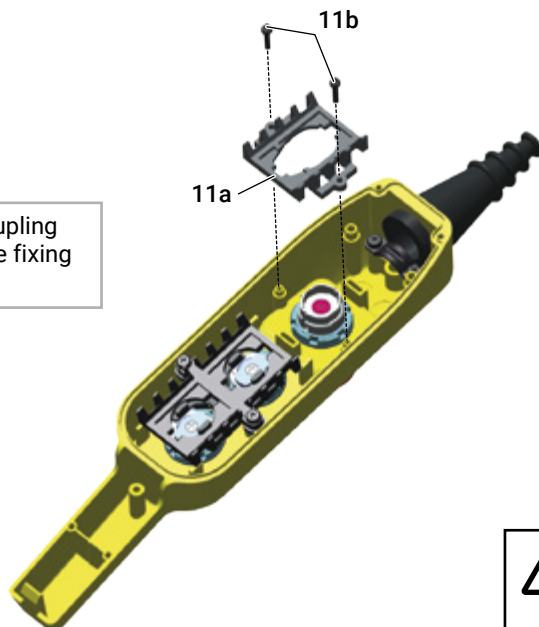
9 Position the top mechanical interlock (a), the bottom mechanical interlock (b), the coupling plate (c) and the fixing screws (d).



TIGHTENING TORQUE
1.4-1.6 N×m
12.4-14 lb×in

10 Tighten the fixing screws.

11 Position the coupling plate (a) and the fixing screws (b).

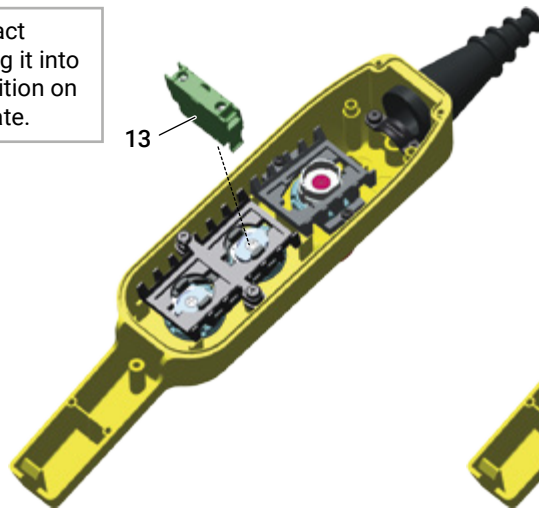


TIGHTENING TORQUE
1.4-1.6 N×m
12.4-14 lb×in

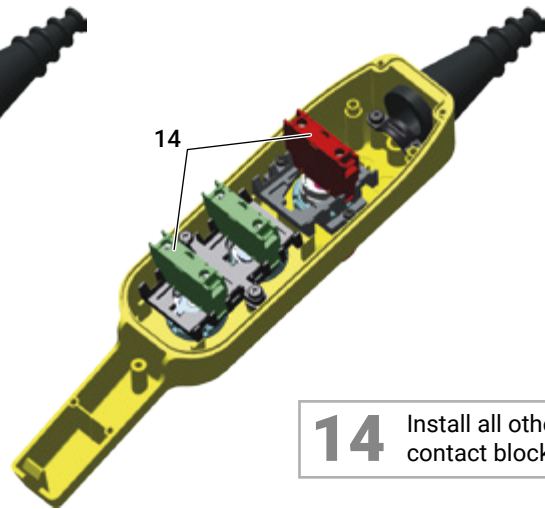
12 Tighten the fixing screws.

Contact blocks

13 Install the contact block by pushing it into the desired position on the coupling plate.



14 Install all other chosen contact blocks.



Pendant station base

15 Place the fixing screws (a) and the o-rings (b) in the respective holes in the pendant station base.



Wiring



ATTENTION

Wire as shown in the paragraph "CHARACTERISTICS OF CONTACT BLOCKS FOR STANDARD VERSIONS" on page 6



ATTENTION

Wiring is optional and can be carried out later.



ATTENTION

The sections that can be connected to the contact blocks are shown in the paragraph "CHARACTERISTICS OF CONTACT BLOCKS FOR STANDARD VERSIONS" on page 6 e nel paragrafo "CUSTOM PENDANT STATION ASSEMBLY" on page 13

Close the pendant station

16 Place the sealing gasket into the groove.



ATTENTION
Carefully position the sealing gasket to ensure tightness.

16

17 Position the base of the pendant station.

17

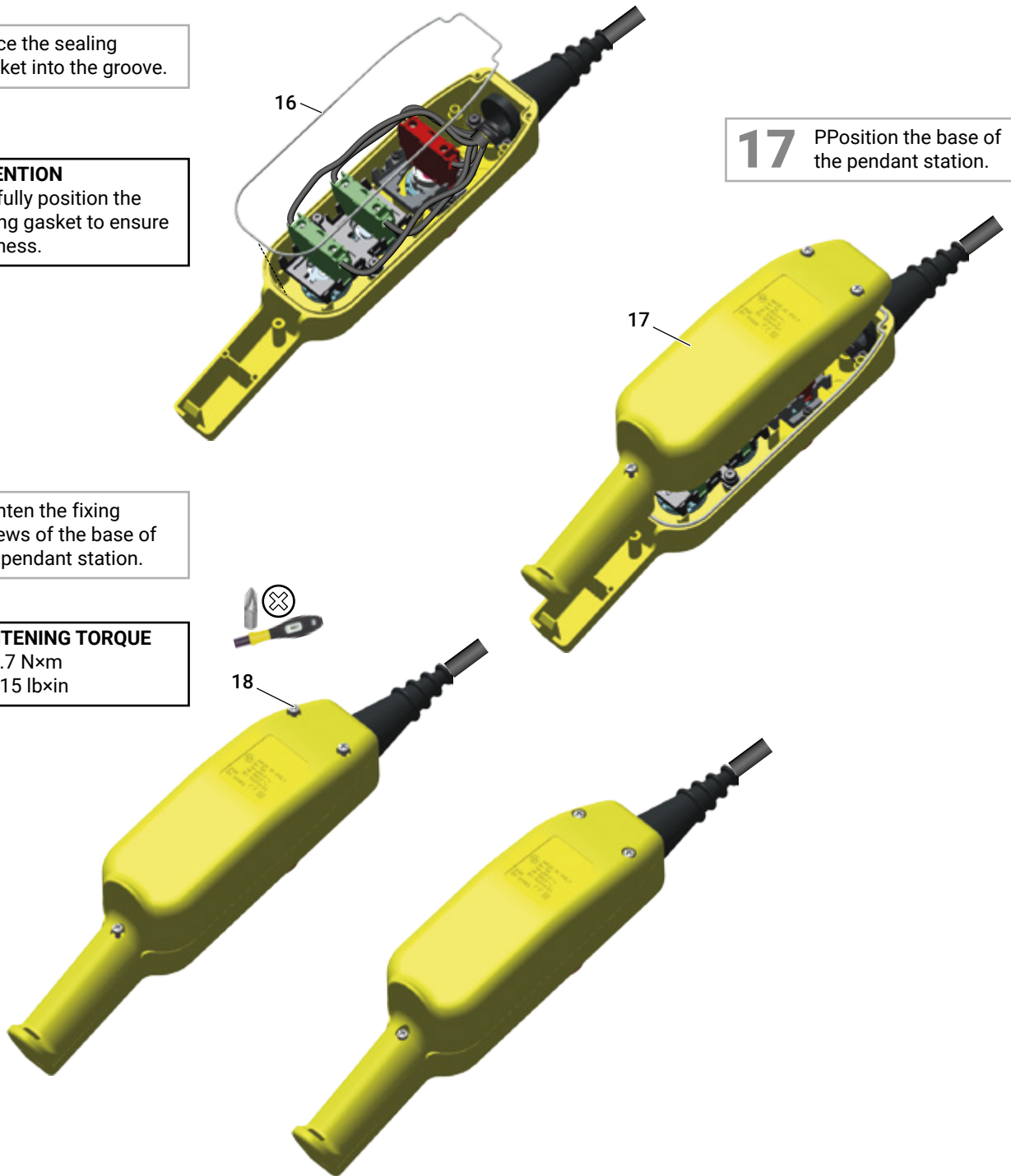
18 Tighten the fixing screws of the base of the pendant station.



TIGHTENING TORQUE
1.3-1.7 Nxm
11.5-15 lbxin

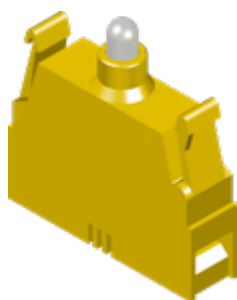


18



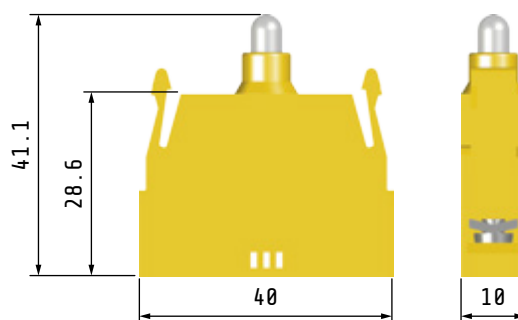
CHARACTERISTICS OF ADDITIONAL CONTACT BLOCKS

PL0045L...



Yellow

Contact block with screw terminals



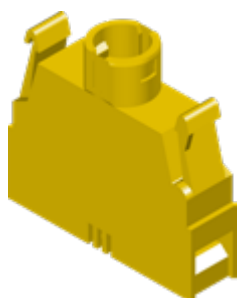
Scheme



Power supply

PL0045L12	AC/DC 12 V
PL0045L24	AC/DC 24 V
PL0045L48	AC/DC 48 V
PL0045L110	AC/DC 110 V
PL0045L220	AC 220 V

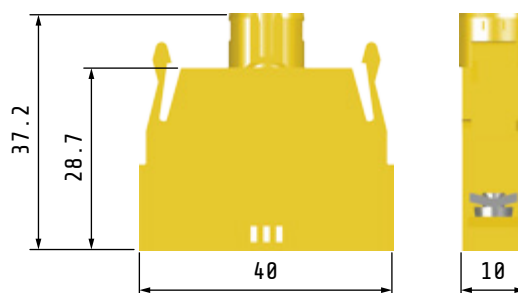
PL004007



Yellow

Contact block with screw terminals

Light bulb non included



Scheme



Connection		BA9s
Power supply	max	400 V
Absorbed power	max	2.4 W



A series of horizontal dashed lines spanning the width of the page, providing a template for writing.

