



PG1M9W01

EMERGENCY PUSH BUTTON Ø 90 MM

Specifications

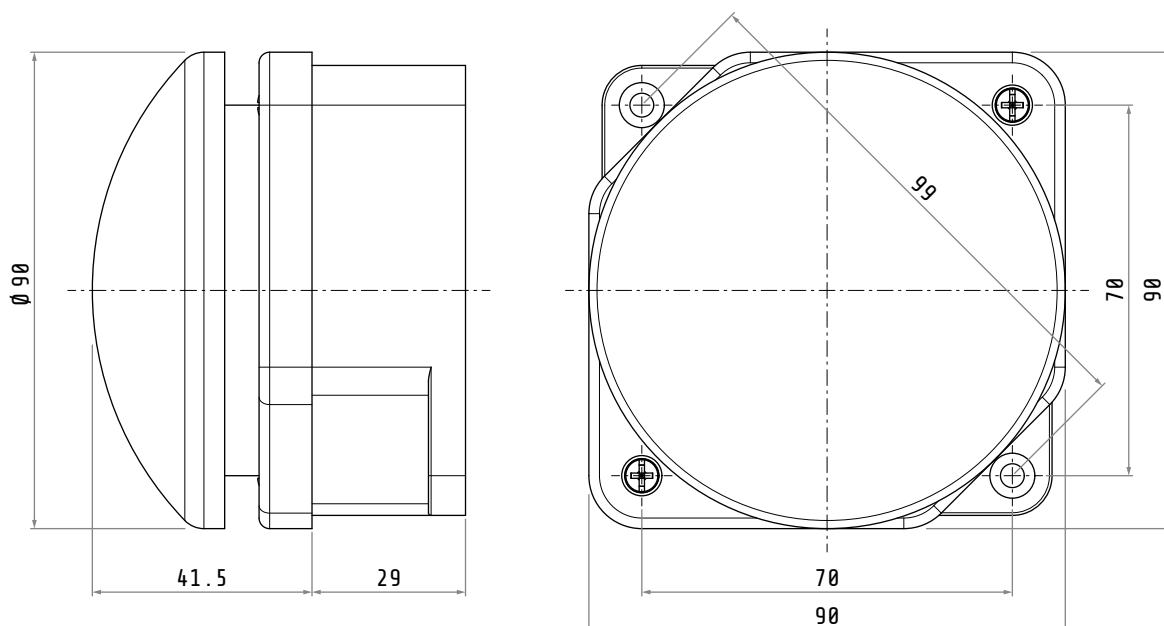


Protection degree	IP66
Compliance	EN 60529
Contact blocks	up to 3
Cable entry with 3 holes	Pg 13.5 / M20
Temperature	
operating	-25 ... +70°C
storage	-30 ... +70°C
Climate protection	IEC 68 2-3, 2-30
Terminal referencing	EN 50013
Material	push button: PA6 cover: ABS base: ABS
Color	push button: red RAL 3000 cover: yellow PANTONE 129C base: black RAL 9005
Double insulation	<input type="checkbox"/>

1 contact block NC (spring contacts)		
Rated insulation voltage	Ui	690 V *
Rated impulse withstand voltage	Uimp	4 kV *
Frequency		50/60 Hz *
Rated thermal current	Ith	16 A *
Rated operating current	Ithe	10 A
Minimum constant current		1 mA @ 5 Vdc 1 mA @ 24 Vdc

Marking

* IMQ approved values



Dimensions in mm / Illustrations NOT in scale