



# MUH

## MECHANICAL HYGROSTAT

Hygrostat for DIN 35 mm. rail mounting.  
Typically used to control enclosure heaters.

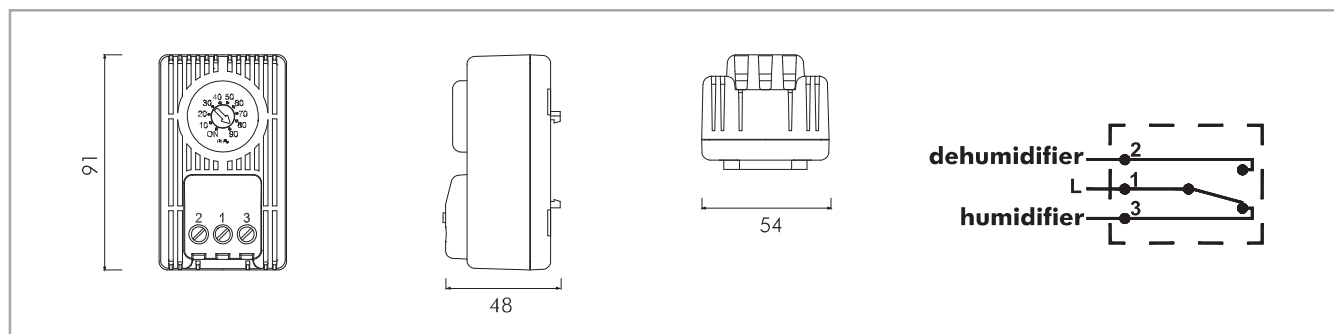


Features	Unit	MUH
Relative Humidity setting range	RH%	20-90
Relative Humidity Hysteresis	RH%	5 (max 10)
Precision	RH%	± 4
Max switching current		
NC at 240Vac resistive load	A	2.2
NC at 120Vac resistive load	A	4.4
NO at 240Vac resistive load	A	5
NO at 120Vac resistive load	A	10
Contact type	-	Change over
Electrical connection	-	3-pole terminal for 2.5 mm <sup>2</sup> wire
Casing	-	PA6, UL94 V0 self-extinguishing, light grey RAL 7035
Protection degree EN60529	-	IP20
Operating temperature	°C (°F)	-10/+ 50 (+ 14/+ 122)
Storage temperature	°C (°F)	-45/+ 80 (-49/+ 176)
Mounting	-	Clip for mounting on DIN rail 35 mm EN50022
Installation position	-	Vertical
Conformity/ Certifications	-	CE
Dimensions HxWxD	mm	91x54x48
Weight (with packaging)	kg	0.15 (0.17)

### Accessories

DIN rail bracket

GUIDADINPL



ALFAELECTRIC.COM