

# 07-56 Enclosure

Ex e Stainless Steel enclosure for Zone 1/2/21/22



BARTEC Junction and Terminal boxes are designed and approved for Zone 1 and 2 as well as Zone 21 and 22. They are particularly suitable for applications under extreme environmental conditions, and they provide reliable protection under heavy loads.

The housings are made of 1.4301 (V2 A) or 1.4404 stainless steel (V4 A). The series includes empty housings and distribution boxes with door or cover. From a housing height of 120 mm, the housings can be supplied with or without flange plates. In addition to 25 standard sizes, approved customer-specific design variants are also available.

- Zones 1/21 und 2/22
- Extremely robust
- Fully bolted or hinged



**Explosion protection**

Marking acc. to EN 60079-0	⊕ II 2G Ex eb IIC Gb ⊕ II 2D Ex tb IIIC Gb
Certification	IBExU99ATEX1118 U IECEXiBE09.0016 U
Other approvals and certificates, see <a href="http://bartec.com">bartec.com</a>	
Ambient temperature range	-20 °C (-40 °C) to +100 °C

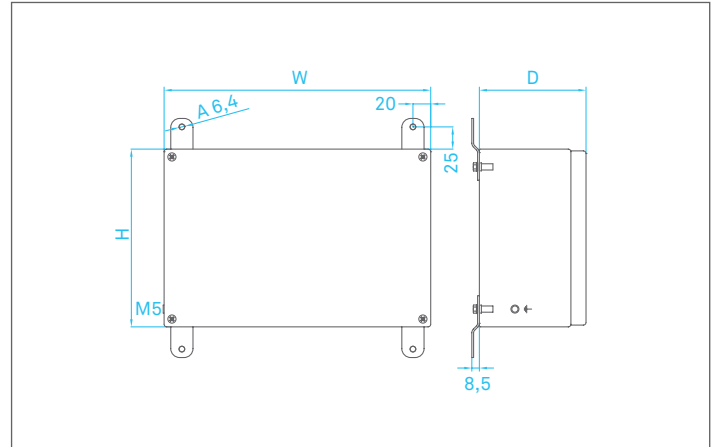
**Technical data**

Material	1.4404, AISI 316 L high quality stainless steel optional 1.4301, AISI 304 high quality stainless steel
Surface	brushed, painted or electro polished on request
Standard seals	Silicone: -40 °C to +100 °C EPDM: -20 °C to +100 °C RAKU PUR (type 07-55): -40 °C to +80 °C
Mechanical strength	Impact energy 7 Nm
Version	with or without gland plates
Standard sizes	see selection chart
Protection class	max. IP 66 EN/IEC 60529

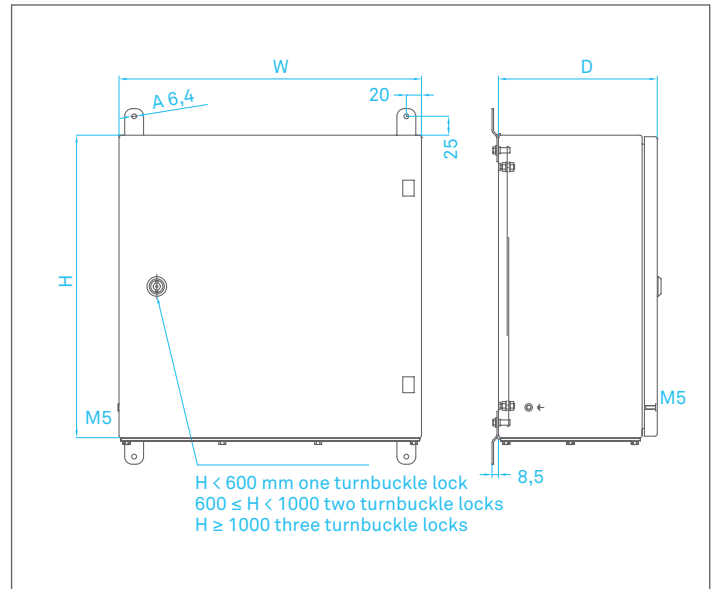
**Scope of delivery**

The scope of delivery includes wall attachment straps, internal and external PE connection, as well as internal Z brackets with fixing points for enclosures with lid and internal mounting plate for enclosure with hinged door.

**Enclosure dimensions**

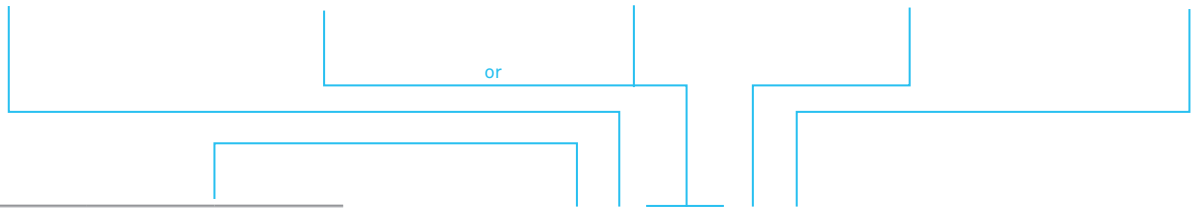


**Enclosure dimensions**



Ordering information

Version	Code no.	Enclosure with lid (w x h x d)	Code no.	Enclosure with hinged door (w x h x d)	Code no.	Flanges Side A, B, (E)	Code no.	Flanges Side C, D, (E)	Code no.
Empty Enclosure Ex e	1	100 x 100 x 60 mm	17	200 x 300 x 155 mm	51	without	1	without	1
		150 x 150 x 80 mm	01						
Junction Box Ex e II	2	400 x 150 x 80 mm	10	380 x 300 x 155 mm	54	Face A	2	Face C	2
		200 x 200 x 80 mm	03	300 x 380 x 210 mm	52				
		300 x 200 x 80 mm	22						
Junction Box Ex e [ia/ib] II C	3	150 x 150 x 100 mm	02	400 x 400 x 210 mm	57	Face B	3	Face D	3
		200 x 200 x 120 mm	04						
Junction Box Ex i II	4	300 x 200 x 120 mm	06	400 x 600 x 210 mm	58	Face A + B	4	Face C + D	4
		400 x 200 x 120 mm	11	600 x 600 x 210 mm	59				
		600 x 200 x 120 mm	25						
Junction Box Ex i II	5	300 x 300 x 120 mm	07	600 x 760 x 210 mm	60	Face E + A	5	Face E + C	5
		300 x 300 x 160 mm	08						
Junction Box Ex i II	6	380 x 380 x 160 mm	26	600 x 800 x 300 mm	61	Face E + B	6	Face E + D	6
		400 x 200 x 160 mm	12	800 x 800 x 300 mm	62				
Junction Box Non-Ex	7	400 x 400 x 160 mm	14	800 x 1000 x 300 mm	63	Face E + A + B	7	Face E + D + C	7
		500 x 400 x 160 mm	15						



Design	Code no.	
	304	316 L
Enclosure with screwed lid	A	B
Enclosure with hinged door	C	D

0 7 - 5 6 \* \* - \* \* \* \*

Complete order no.

Example: Ex e distribution box with hinged door  
 Dimensions: 400 x 400 x 210 mm with gland plates on face B + C + D

**Type 07-56D2-5734**